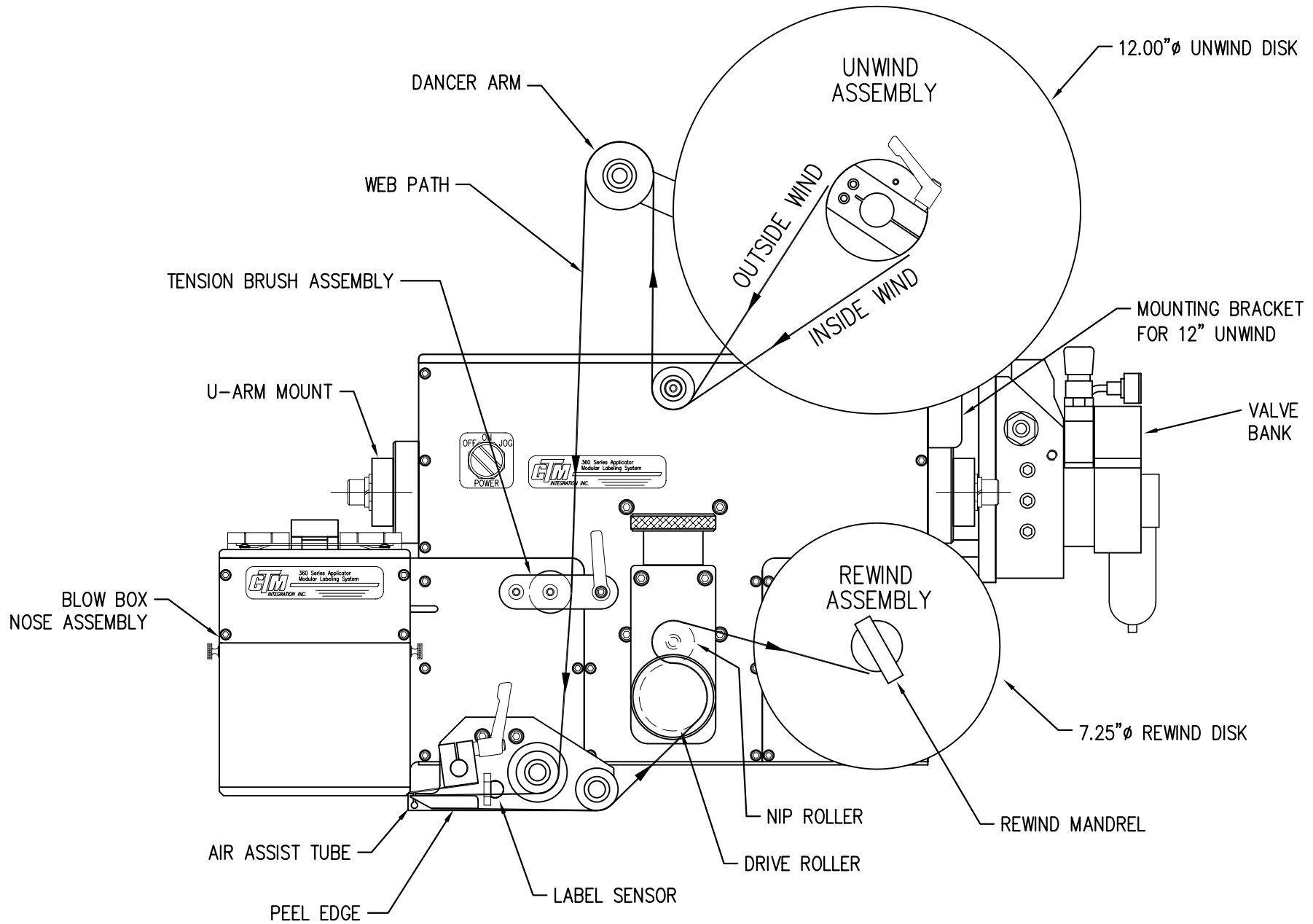


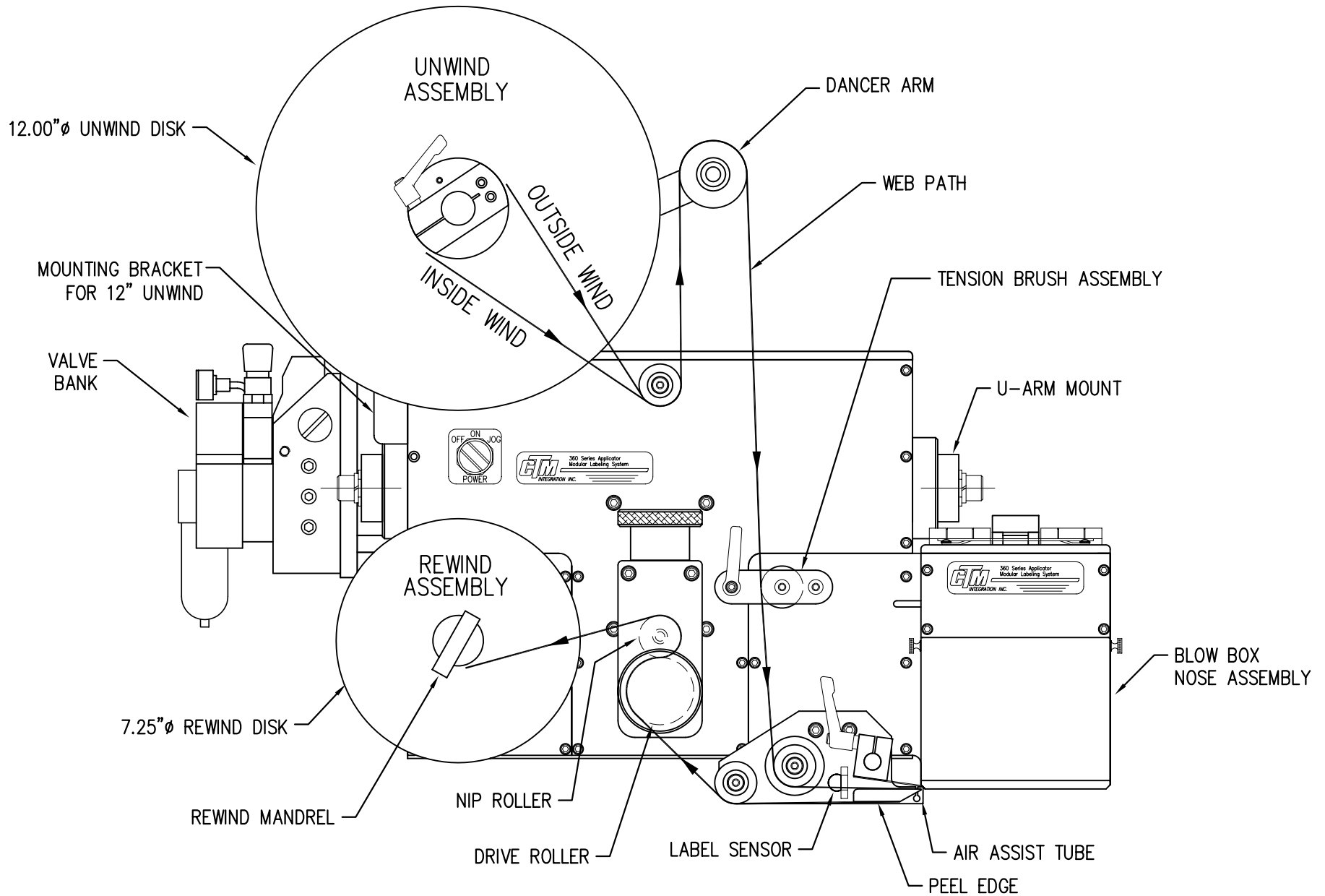
# WEB PATH DIAGRAM

## 360 SERIES LEFT HAND AIR BLOW BOX APPLICATOR WITH 12" UNWIND

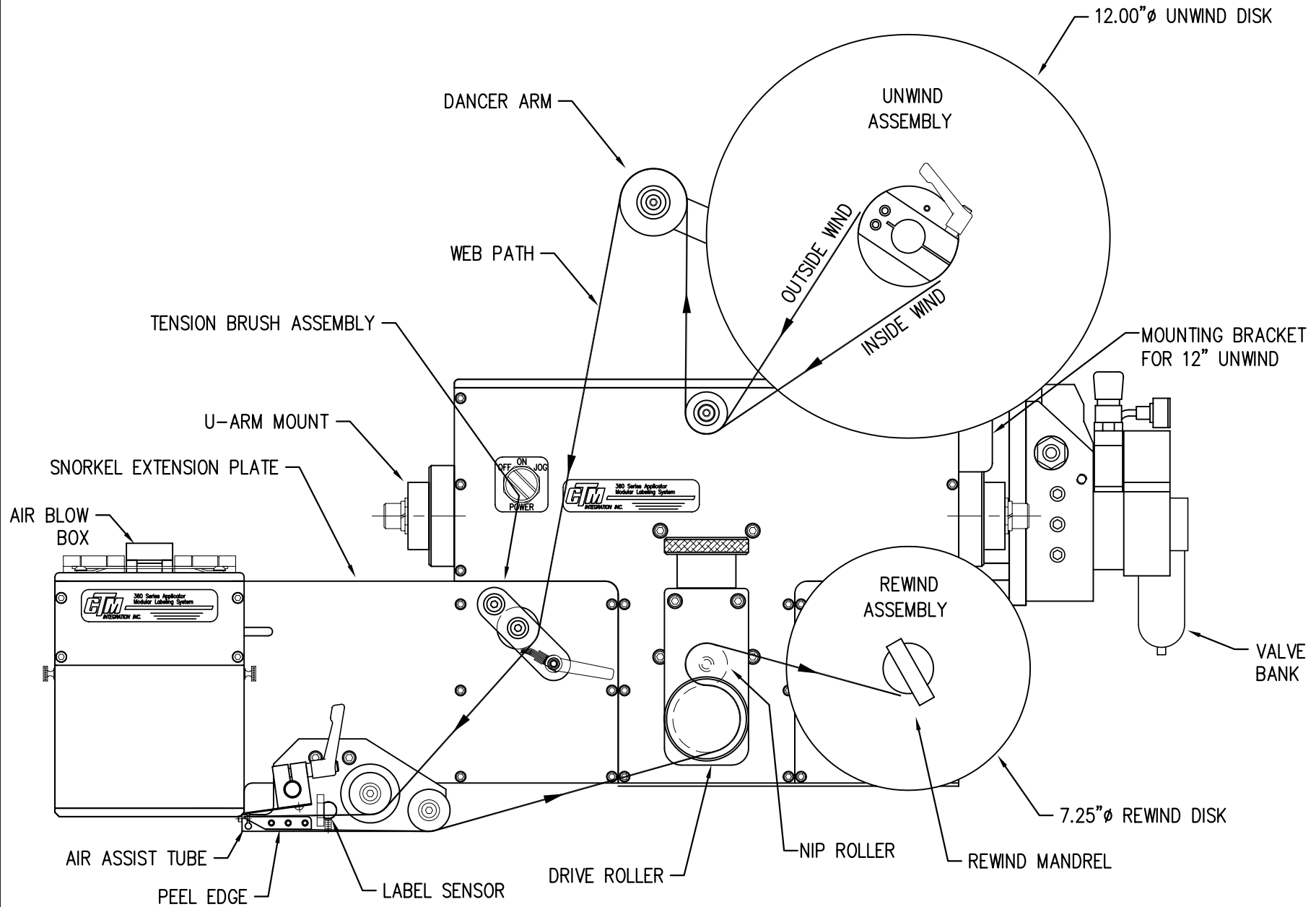


# WEB PATH DIAGRAM

## 360 SERIES RIGHT HAND AIR BLOW BOX APPLICATOR WITH 12" UNWIND

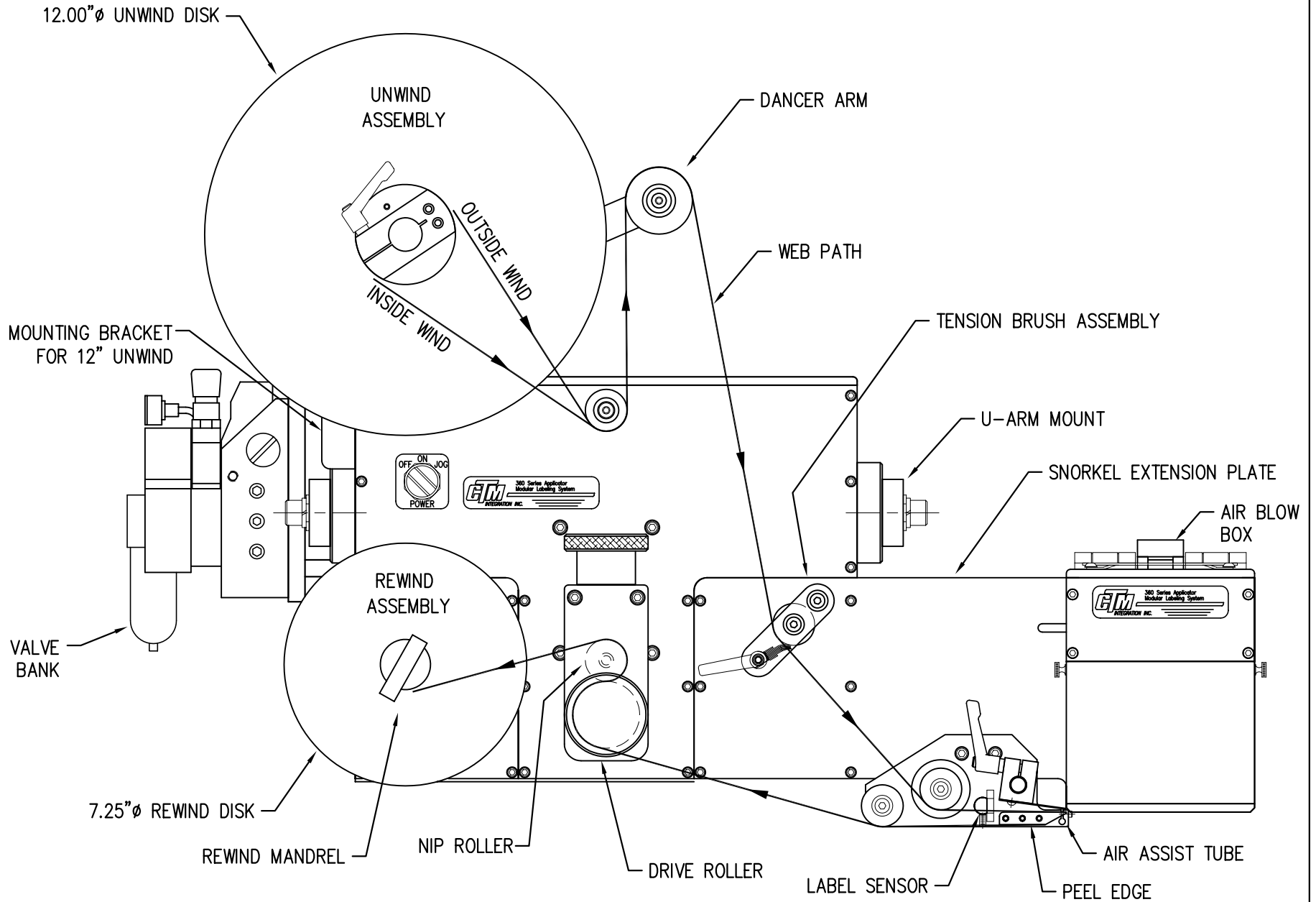


WEB PATH DIAGRAM  
360 SERIES LEFT HAND 6" EXTENDED AIR BLOW BOX APPLICATOR  
WITH 12" UNWIND



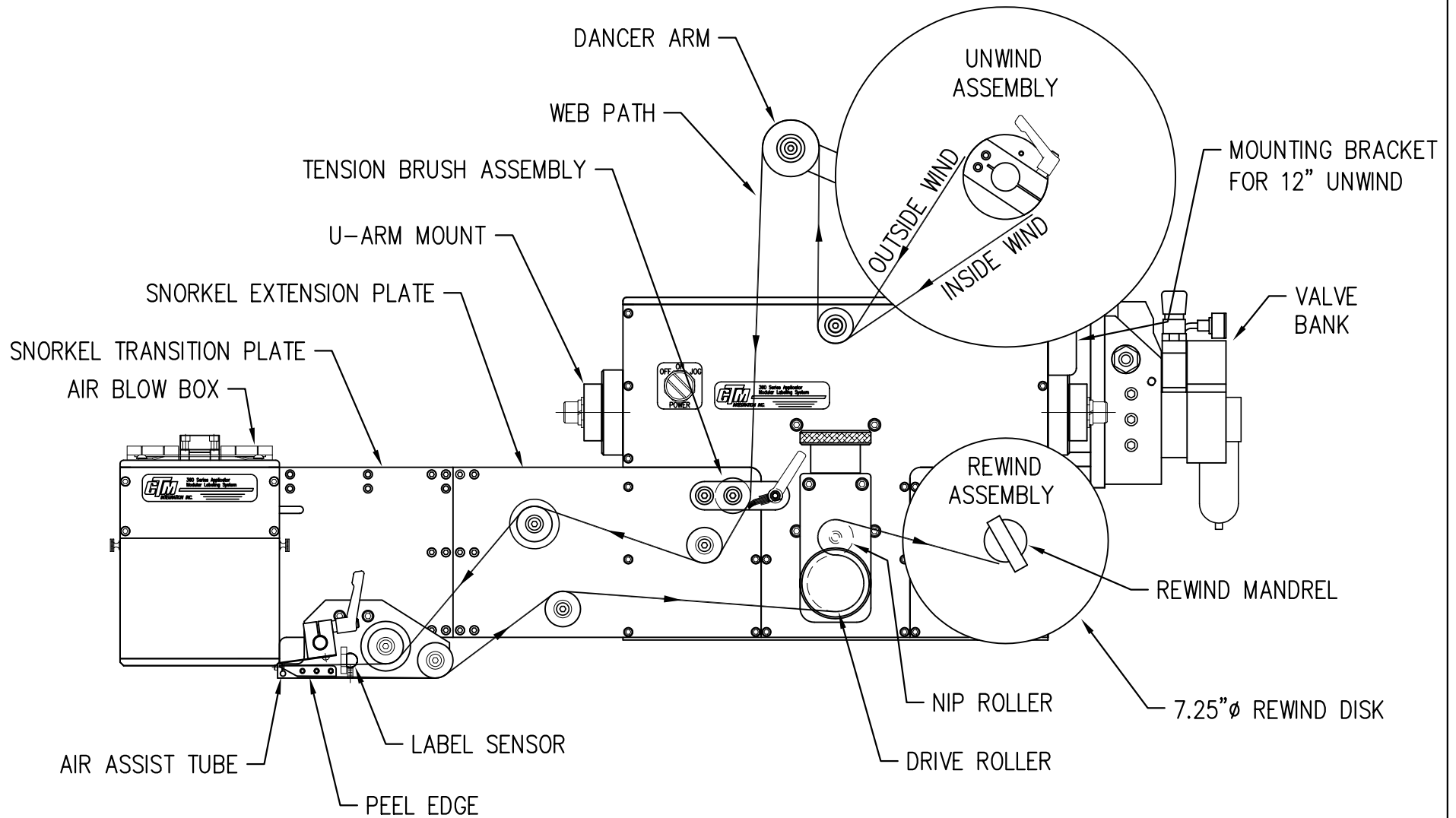
# WEB PATH DIAGRAM

## 360 SERIES RIGHT HAND 6" EXTENDED AIR BLOW BOX APPLICATOR WITH 12" UNWIND



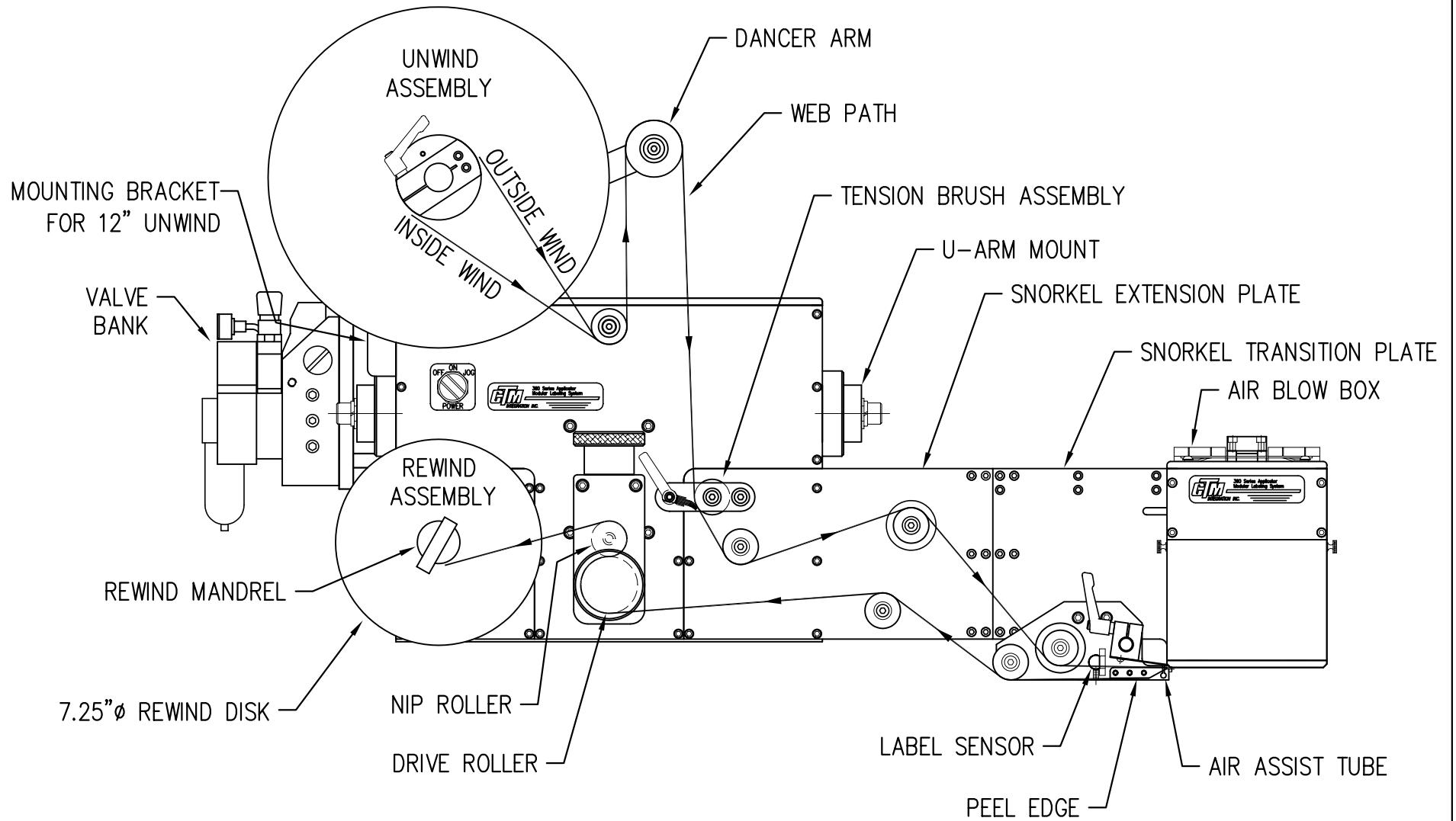
WEB PATH DIAGRAM

360 SERIES LEFT HAND 12" EXTENDED AIR BLOW BOX APPLICATOR  
WITH 12" UNWIND



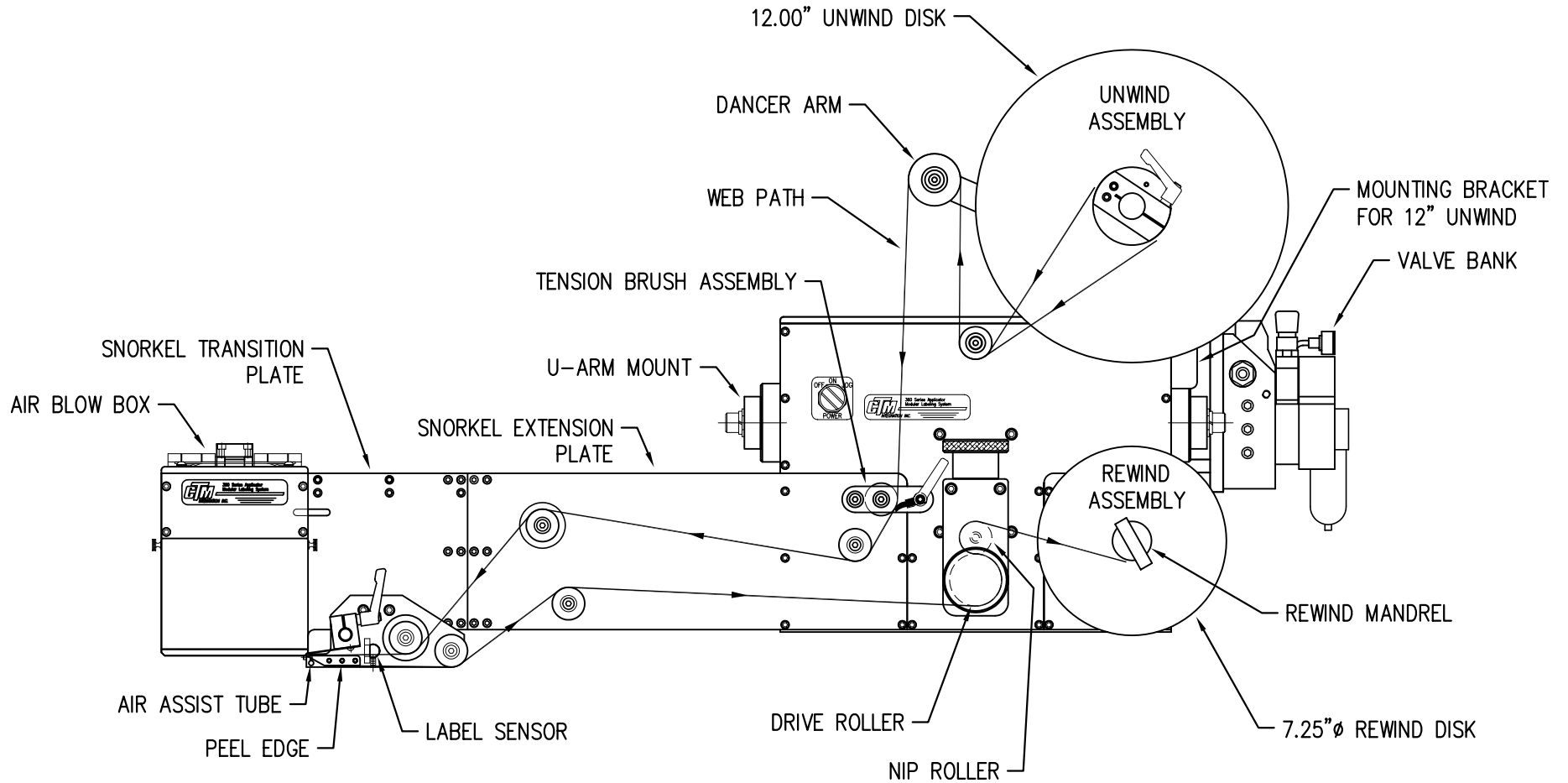
# WEB PATH DIAGRAM

## 360 SERIES RIGHT HAND 12" EXTENDED AIR BLOW BOX APPLICATOR WITH 12" UNWIND



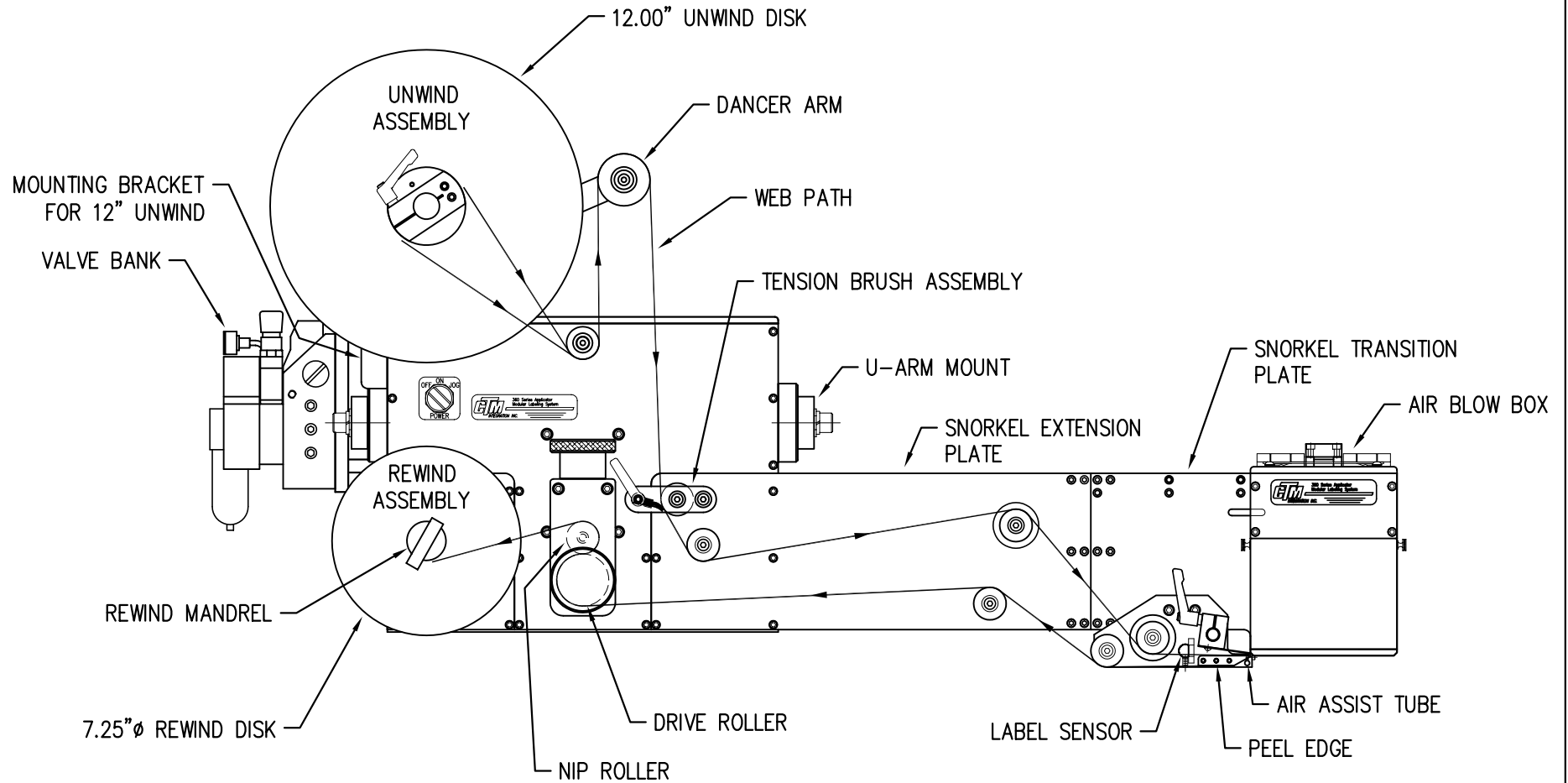
WEB PATH DIAGRAM

360 SERIES LEFT HAND 18"/24" EXTENDED AIR BLOW BOX APPLICATOR  
WITH 12" UNWIND



(NOTE: 18" EXTENDED SNORKEL SHOWN)

WEB PATH DIAGRAM  
 360 SERIES RIGHT HAND 18"/24" EXTENDED AIR BLOW BOX APPLICATOR  
 WITH 12" UNWIND

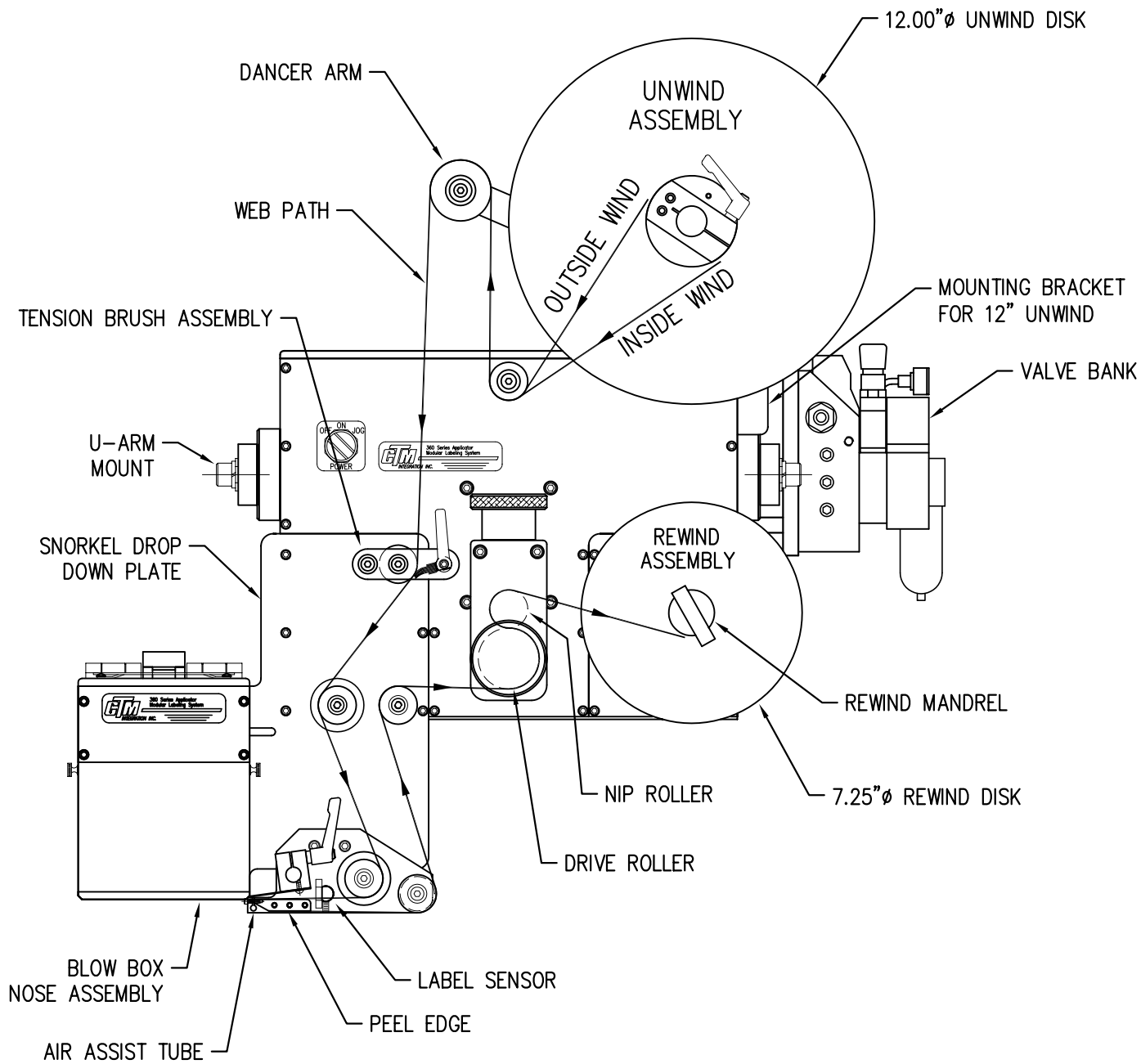


(NOTE: 18" EXTENDED SNORKEL SHOWN)



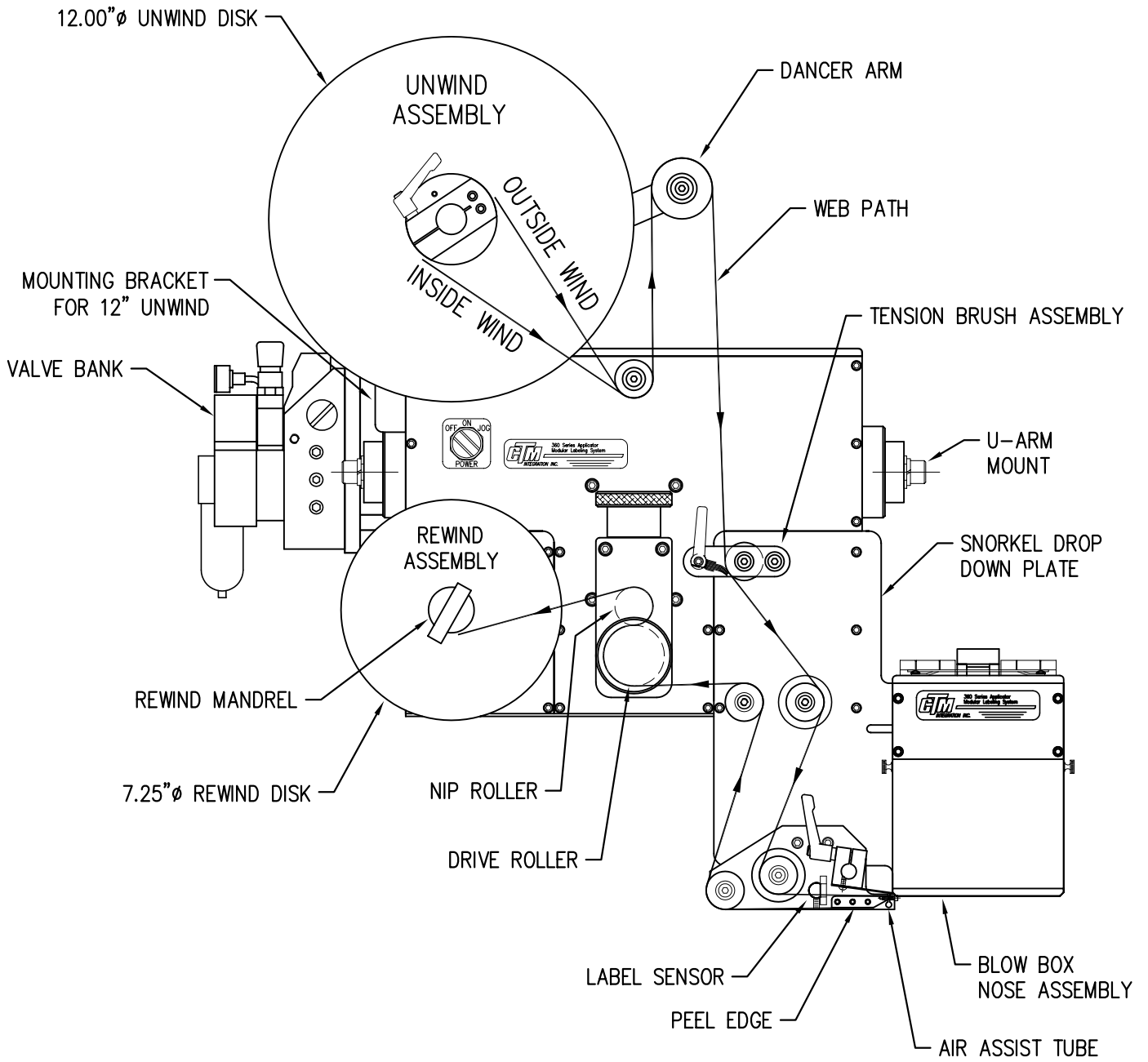
# WEB PATH DIAGRAM

## 360 SERIES LEFT HAND 6" DROP DOWN AIR BLOW BOX APPLICATOR WITH 12" UNWIND



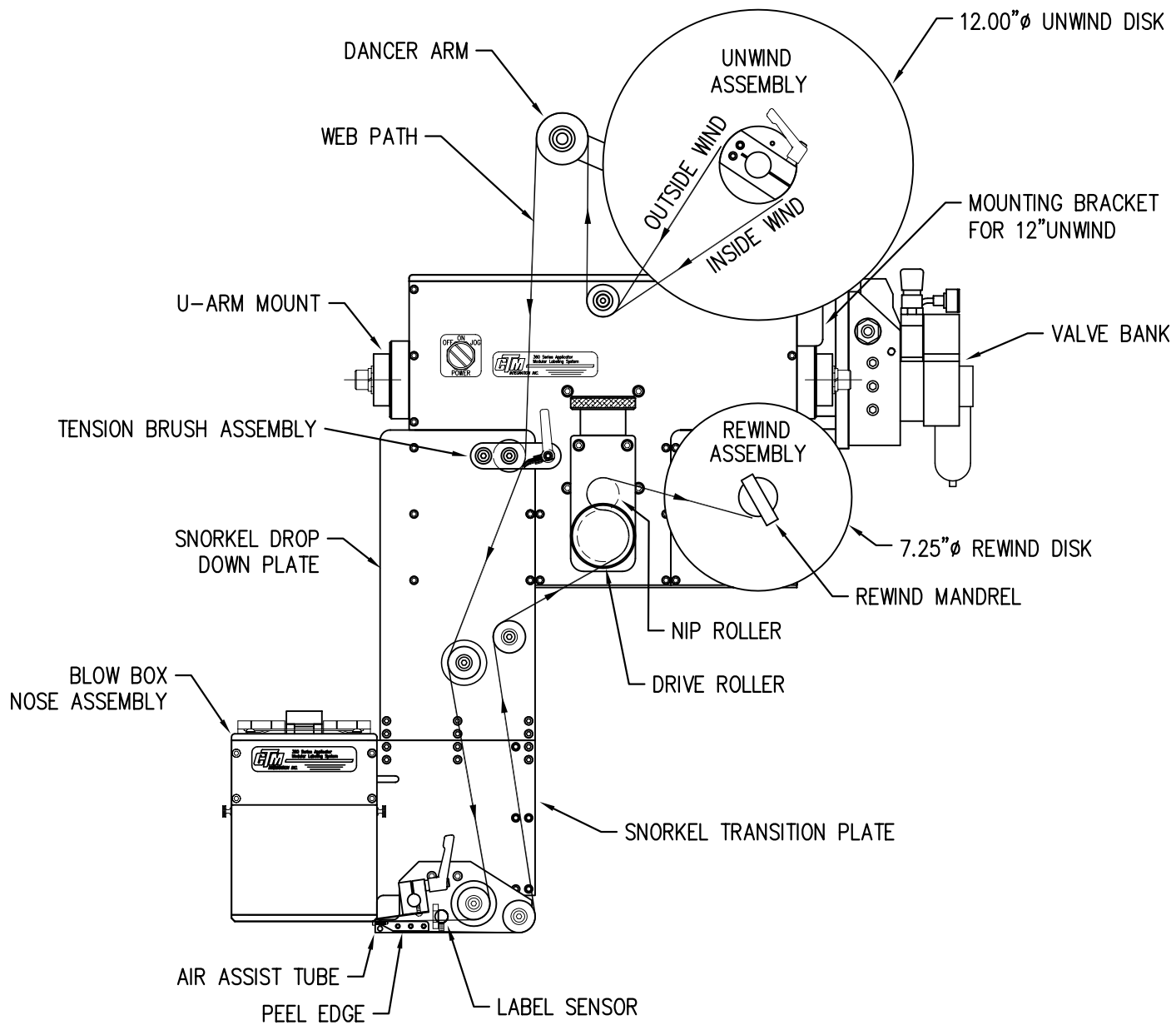
WEB PATH DIAGRAM

360 SERIES RIGHT HAND 6" DROP DOWN AIR BLOW BOX APPLICATOR  
WITH 12" UNWIND



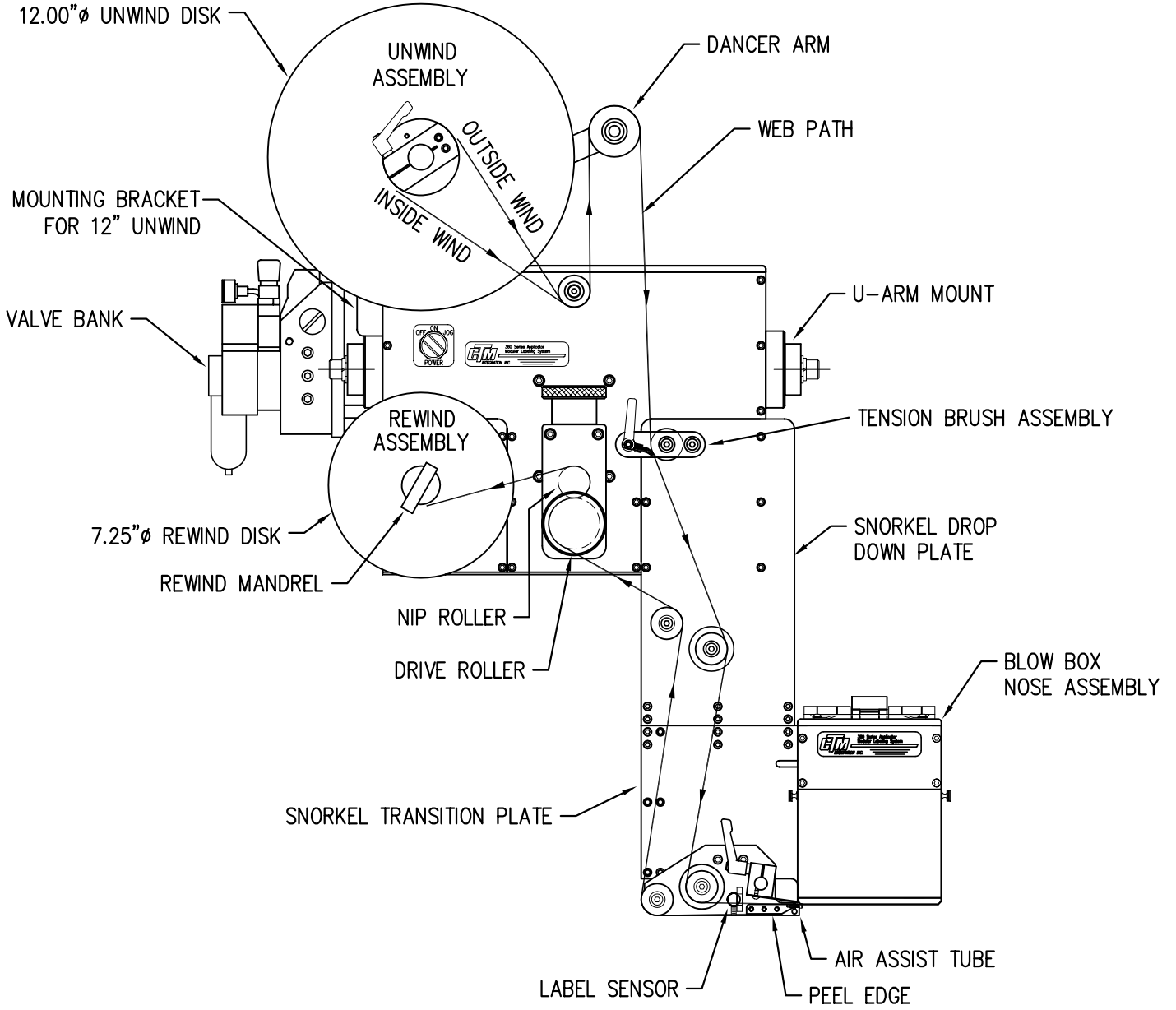
# WEB PATH DIAGRAM

360 SERIES LEFT HAND 12" DROP DOWN AIR BLOW BOX APPLICATOR  
WITH 12" UNWIND



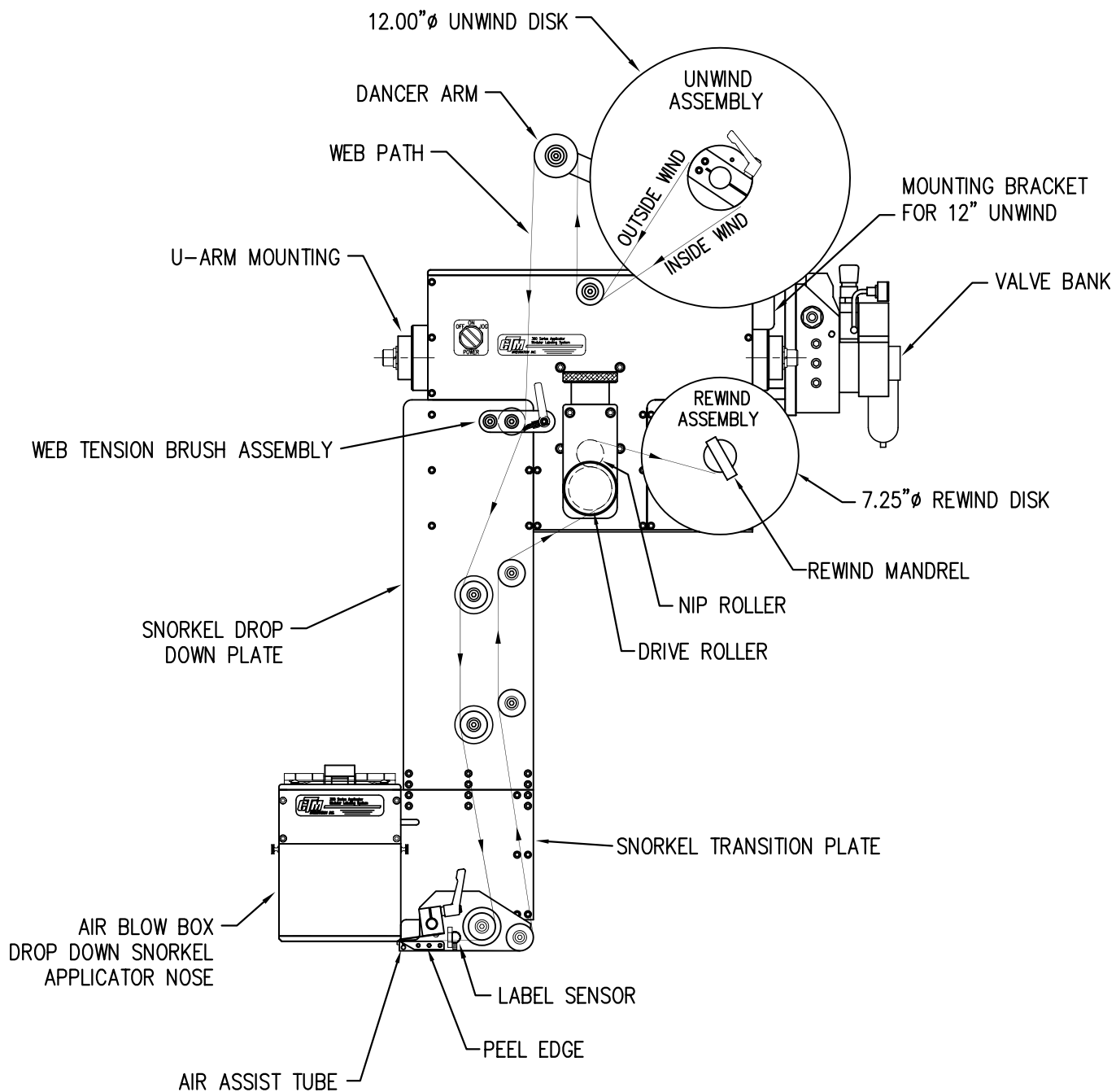
WEB PATH DIAGRAM

360 SERIES RIGHT HAND 12" DROP DOWN AIR BLOW BOX APPLICATOR  
WITH 12" UNWIND



### WEB PATH DIAGRAM

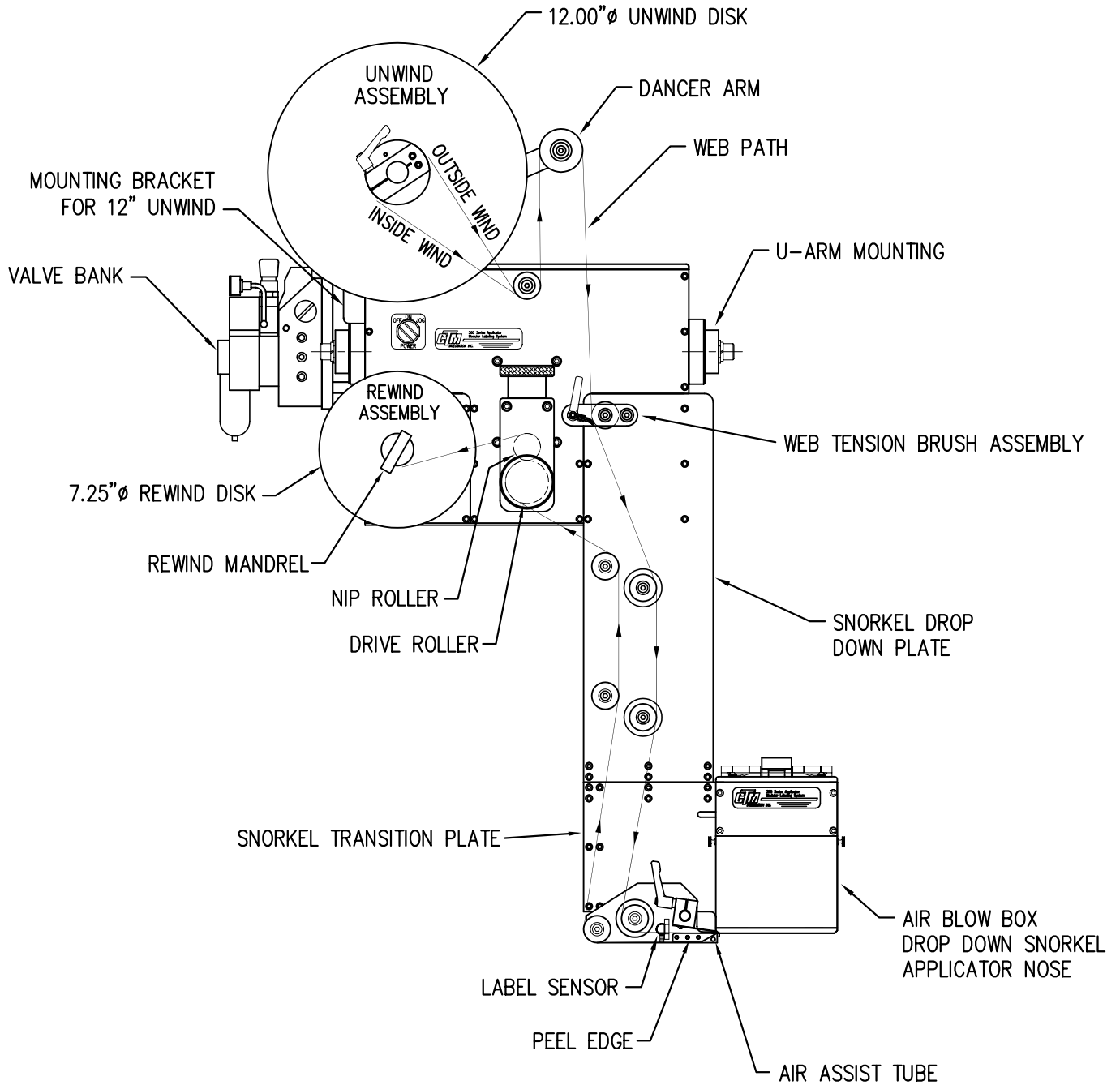
360 SERIES LEFT HAND 18"/24" DROP DOWN AIR BLOW BOX APPLICATOR  
WITH 12" UNWIND



(NOTE: 18" DROP DOWN SHOWN)

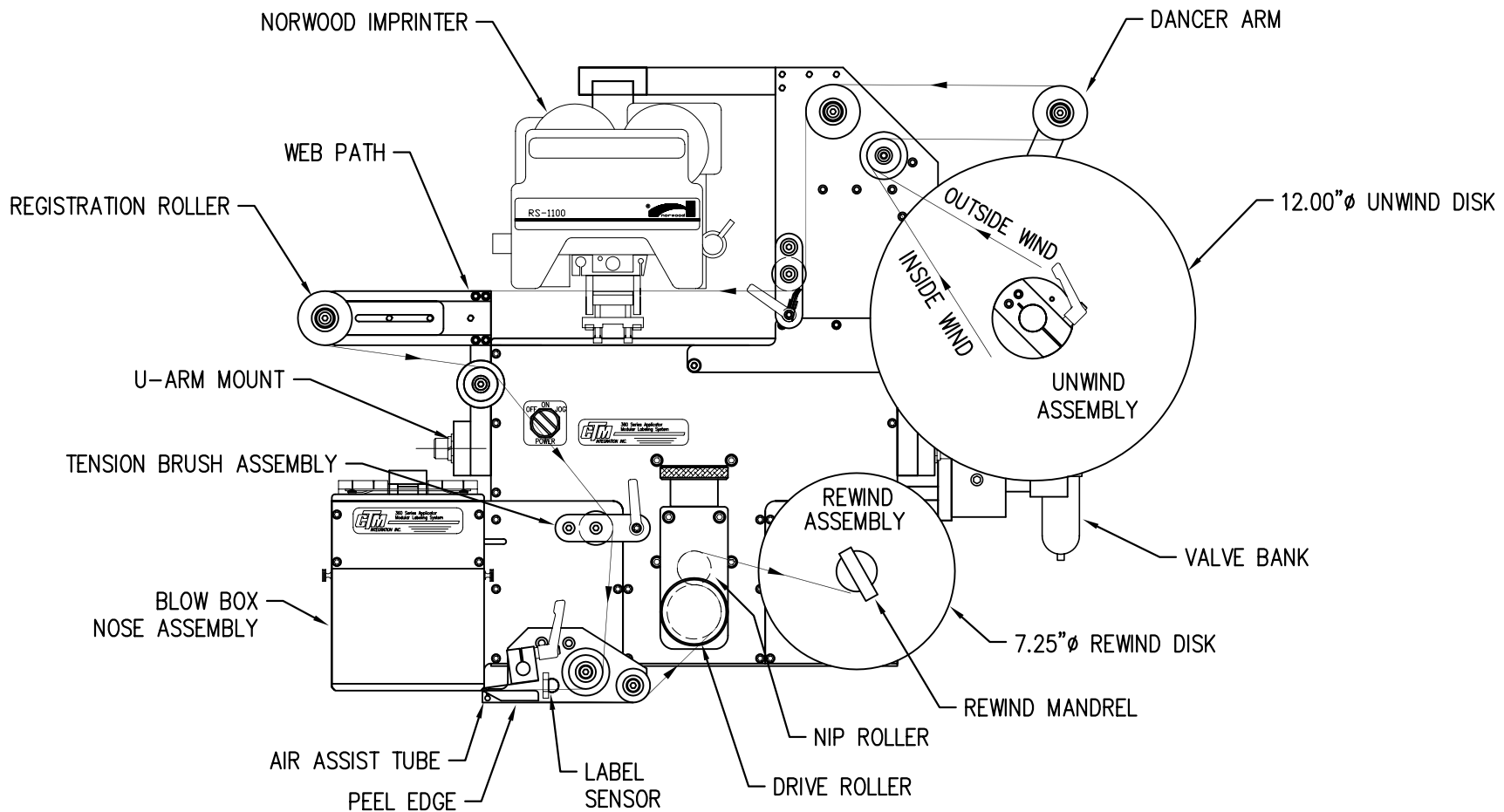
# WEB PATH DIAGRAM

## 360 SERIES RIGHT HAND 18"/24" DROP DOWN AIR BLOW BOX APPLICATOR WITH 12" UNWIND



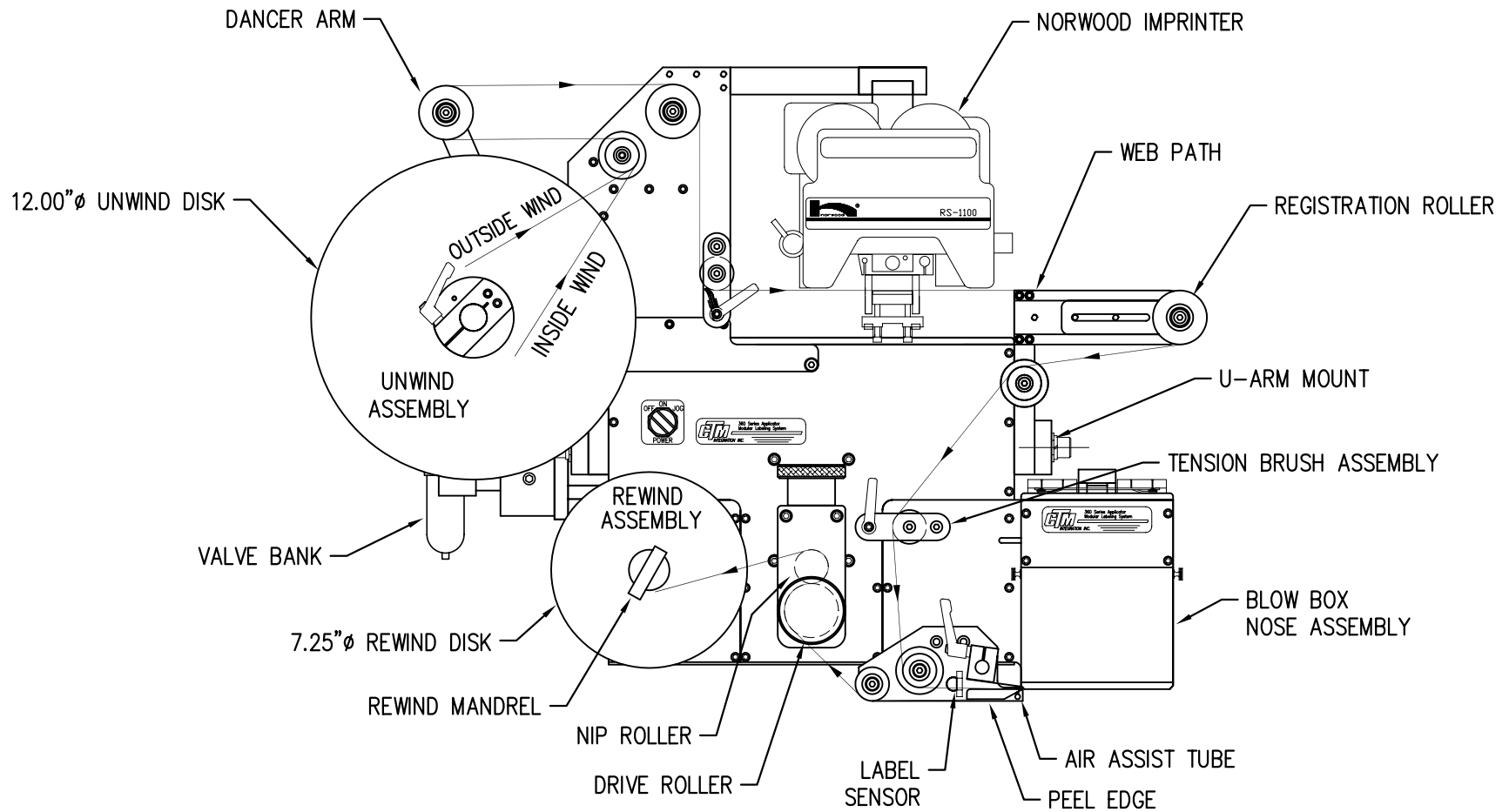
(NOTE: 18" DROP DOWN SHOWN)

WEB PATH DIAGRAM  
360 SERIES LEFT HAND AIR BLOW BOX APPLICATOR  
WITH NORWOOD IMPRINTER



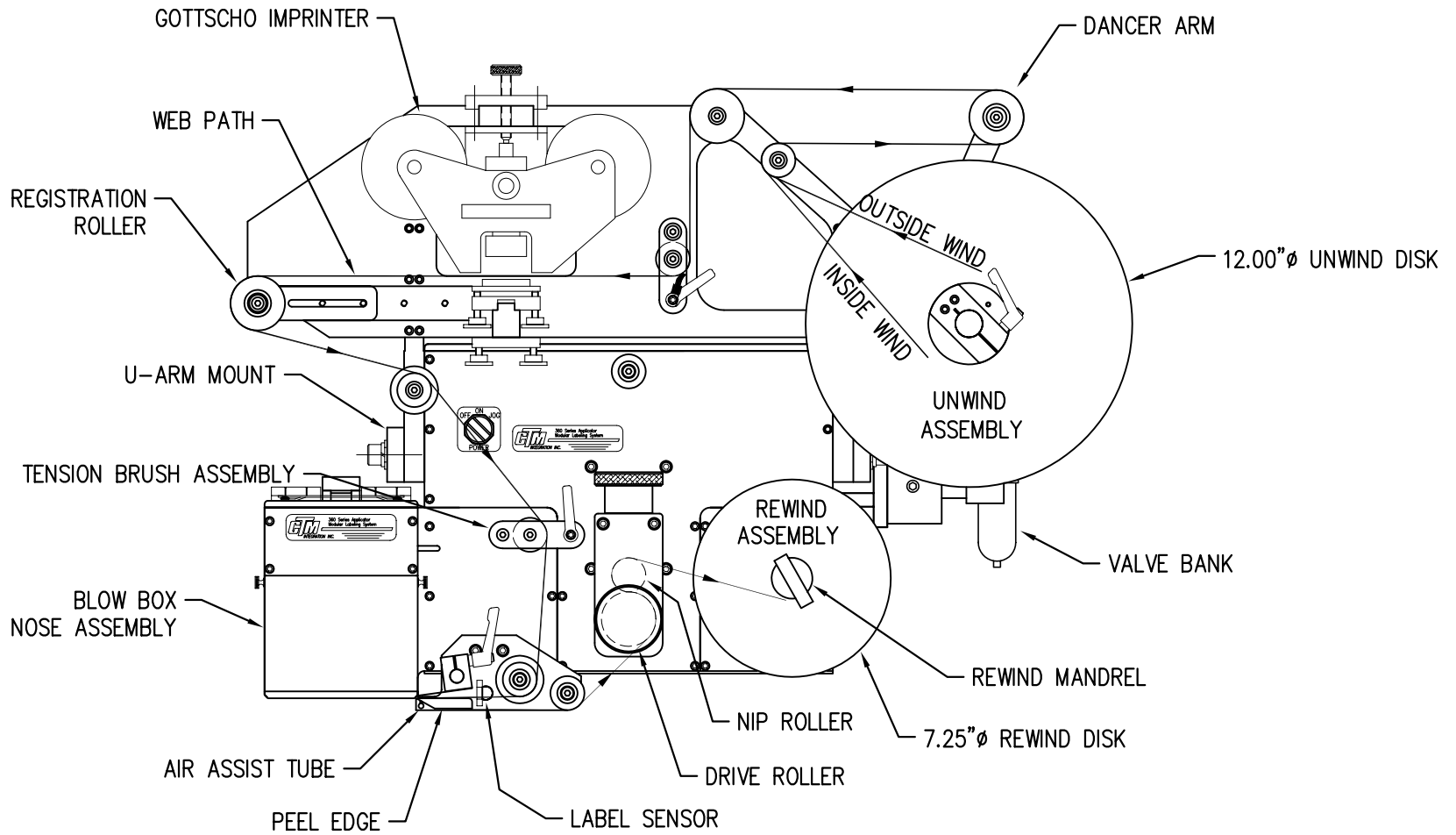
# WEB PATH DIAGRAM

## 360 SERIES RIGHT HAND AIR BLOW BOX APPLICATOR WITH NORWOOD IMPRINTER

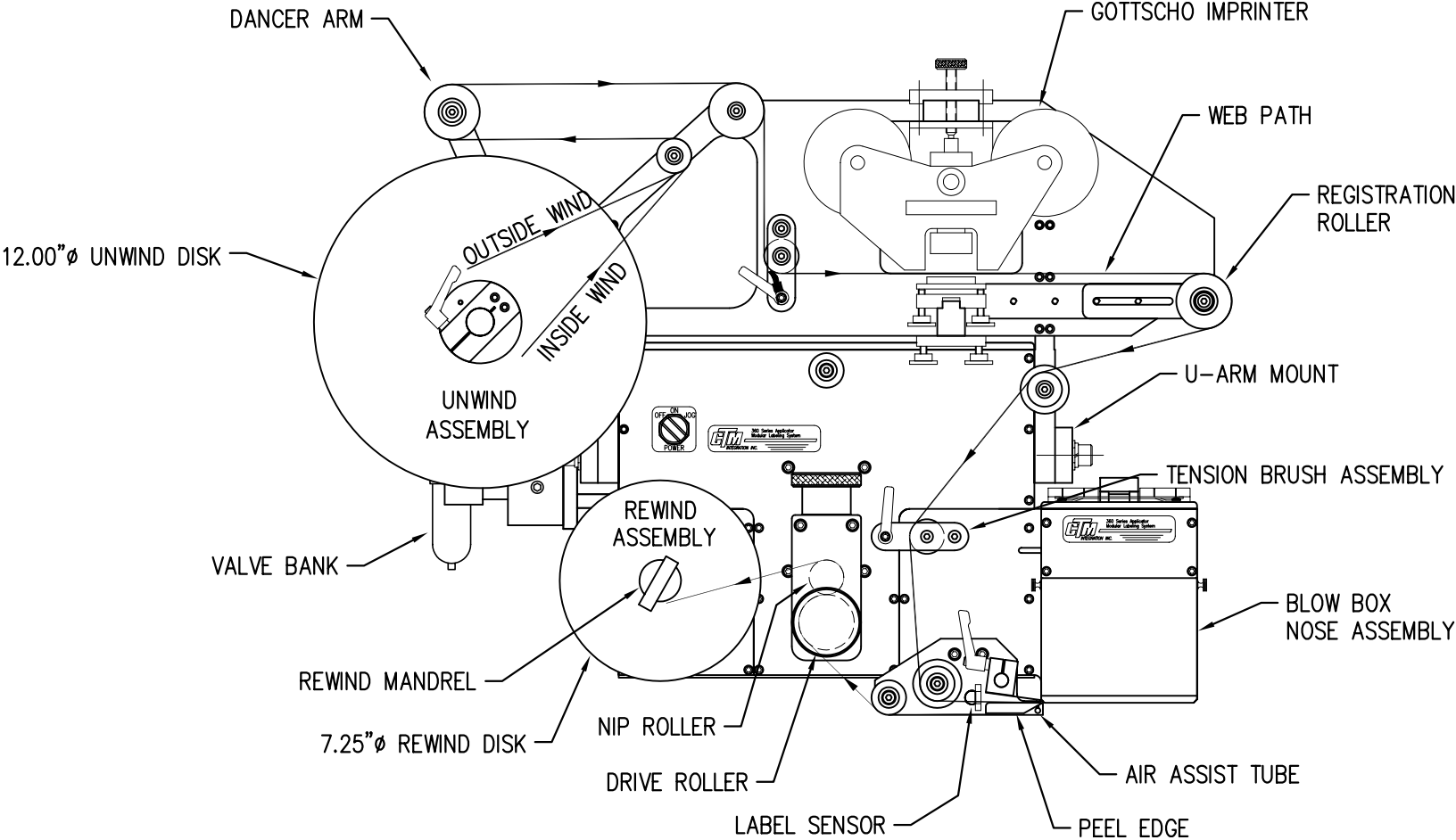




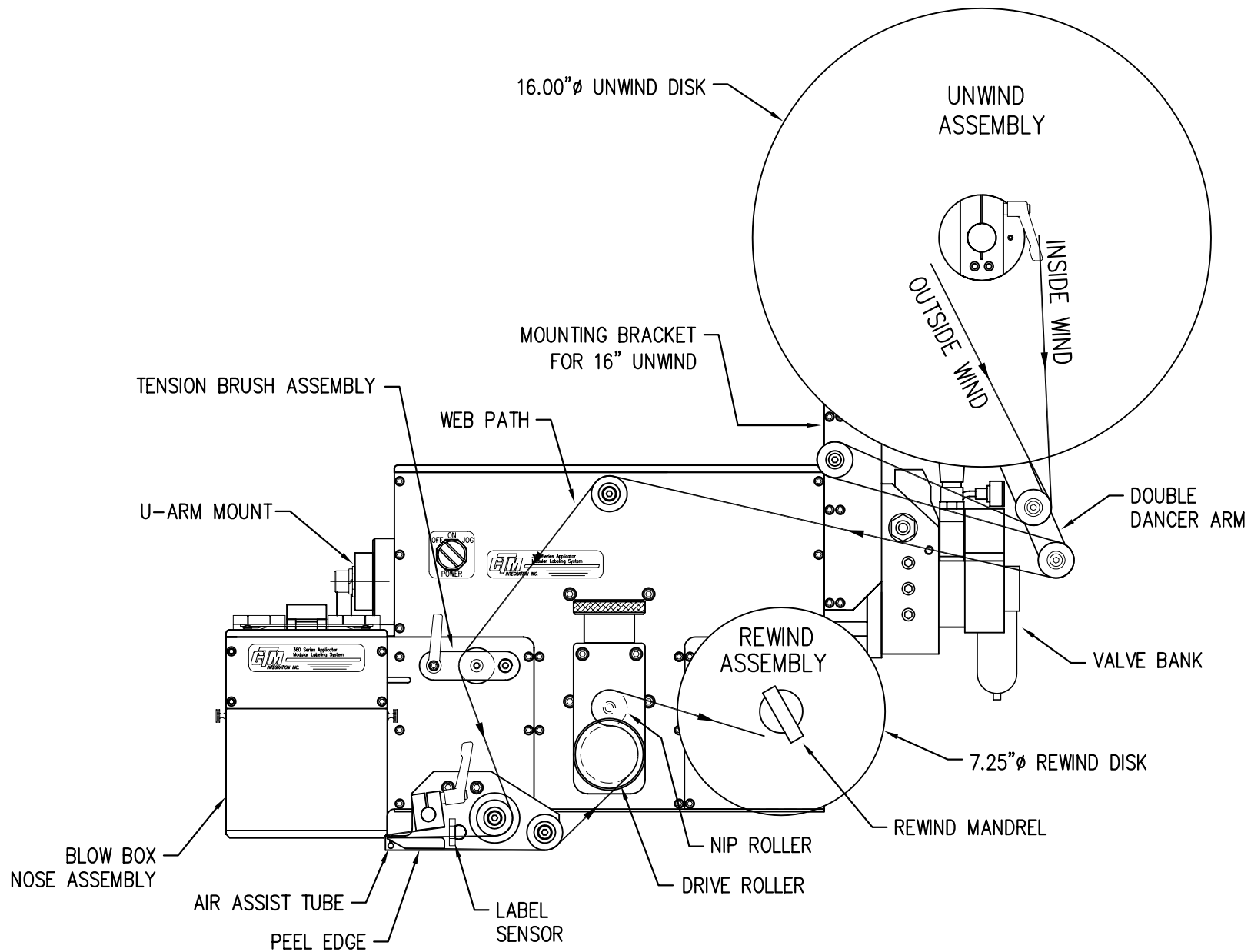
WEB PATH DIAGRAM  
360 SERIES LEFT HAND AIR BLOW BOX APPLICATOR  
WITH GOTTSCHO IMPRINTER



WEB PATH DIAGRAM  
360 SERIES RIGHT HAND AIR BLOW BOX APPLICATOR  
WITH GOTTSCHO IMPRINTER

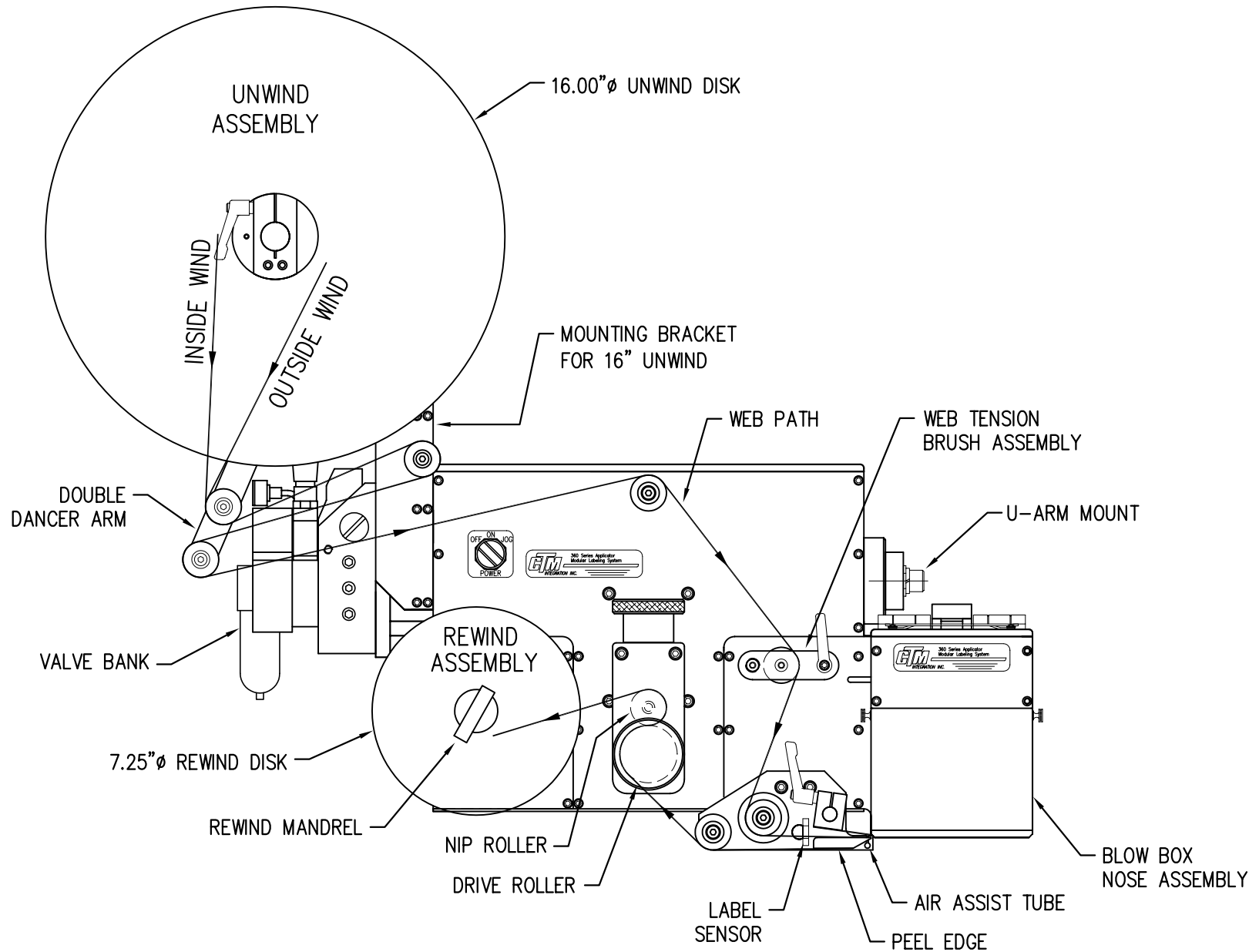


WEB PATH DIAGRAM  
360 SERIES LEFT HAND AIR BLOW BOX APPLICATOR  
WITH 16" UNWIND

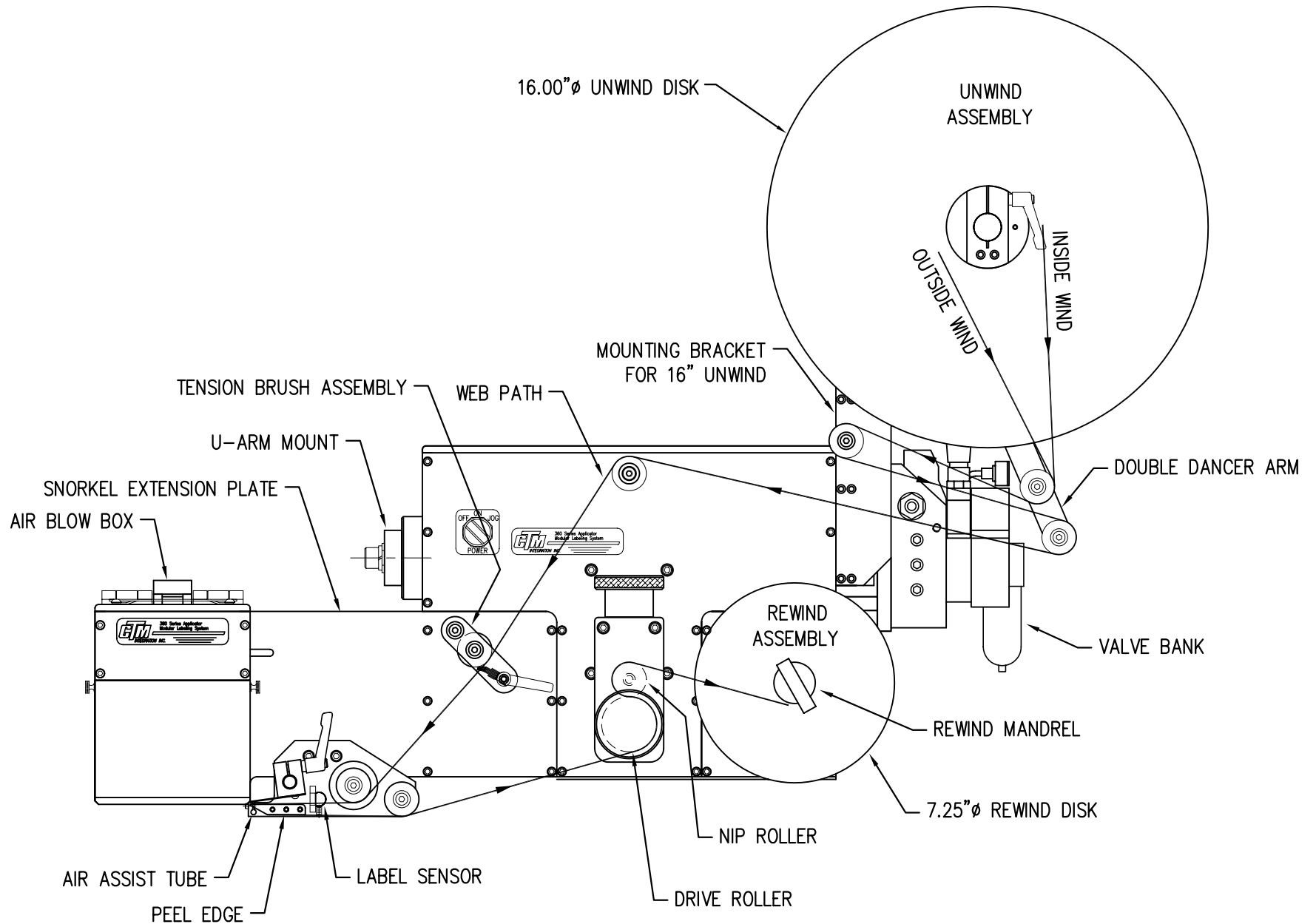


# WEB PATH DIAGRAM

## 360 SERIES RIGHT HAND AIR BLOW BOX APPLICATOR WITH 16" UNWIND

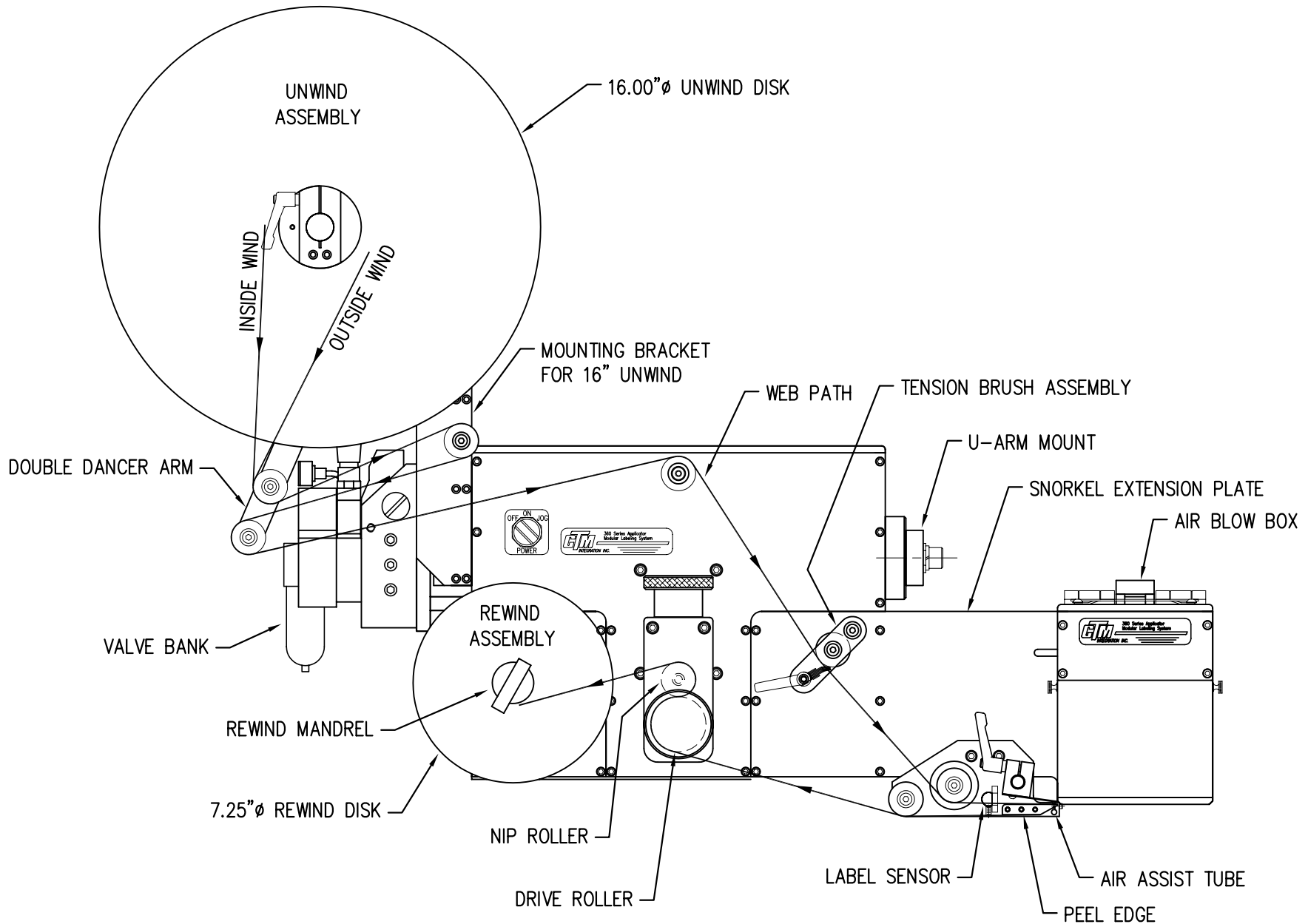


WEB PATH DIAGRAM  
360 SERIES LEFT HAND 6" EXTENDED AIR BLOW BOX APPLICATOR  
WITH 16" UNWIND

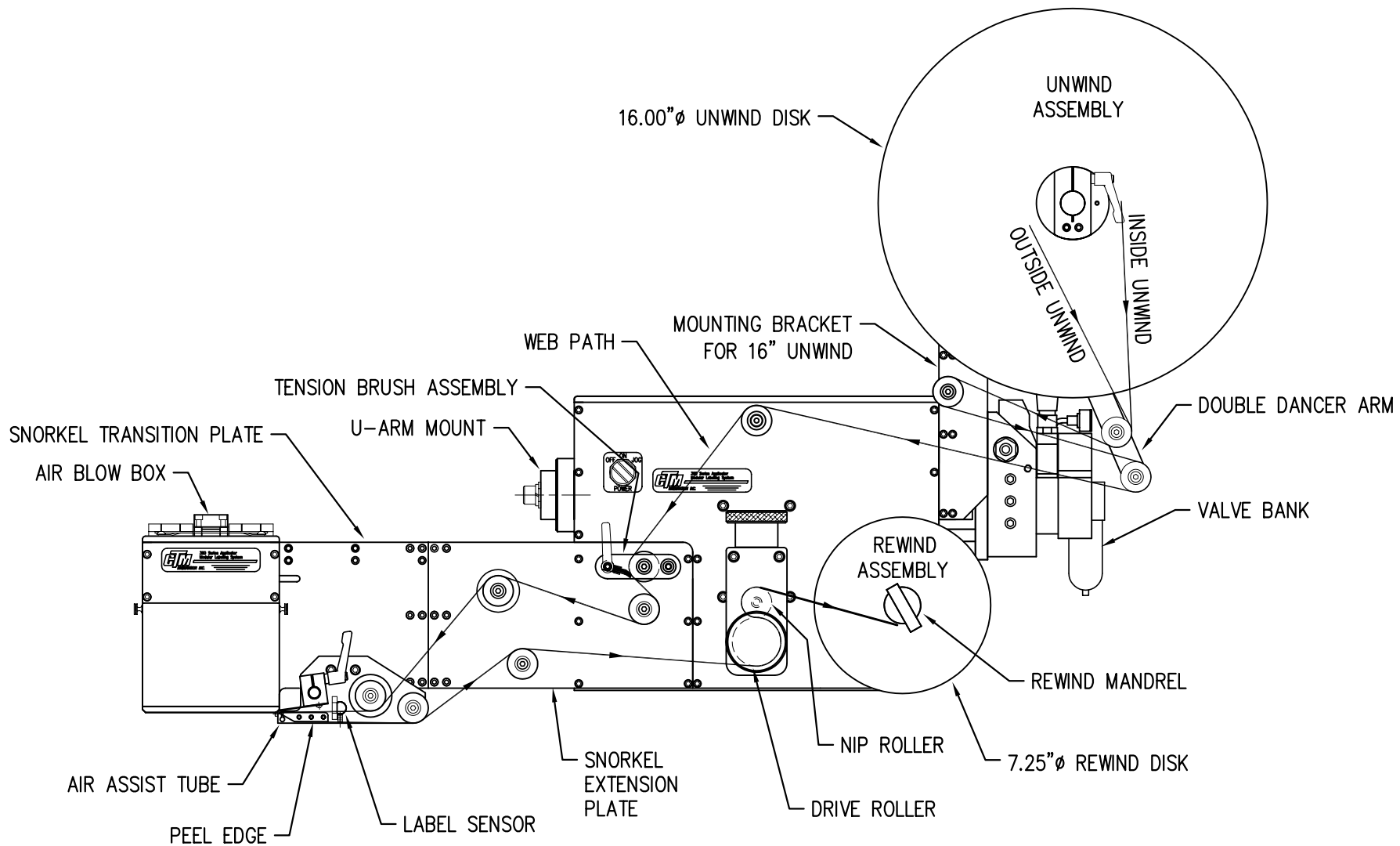


# WEB PATH DIAGRAM

## 360 SERIES RIGHT HAND 6" EXTENDED AIR BLOW BOX APPLICATOR WITH 16" UNWIND

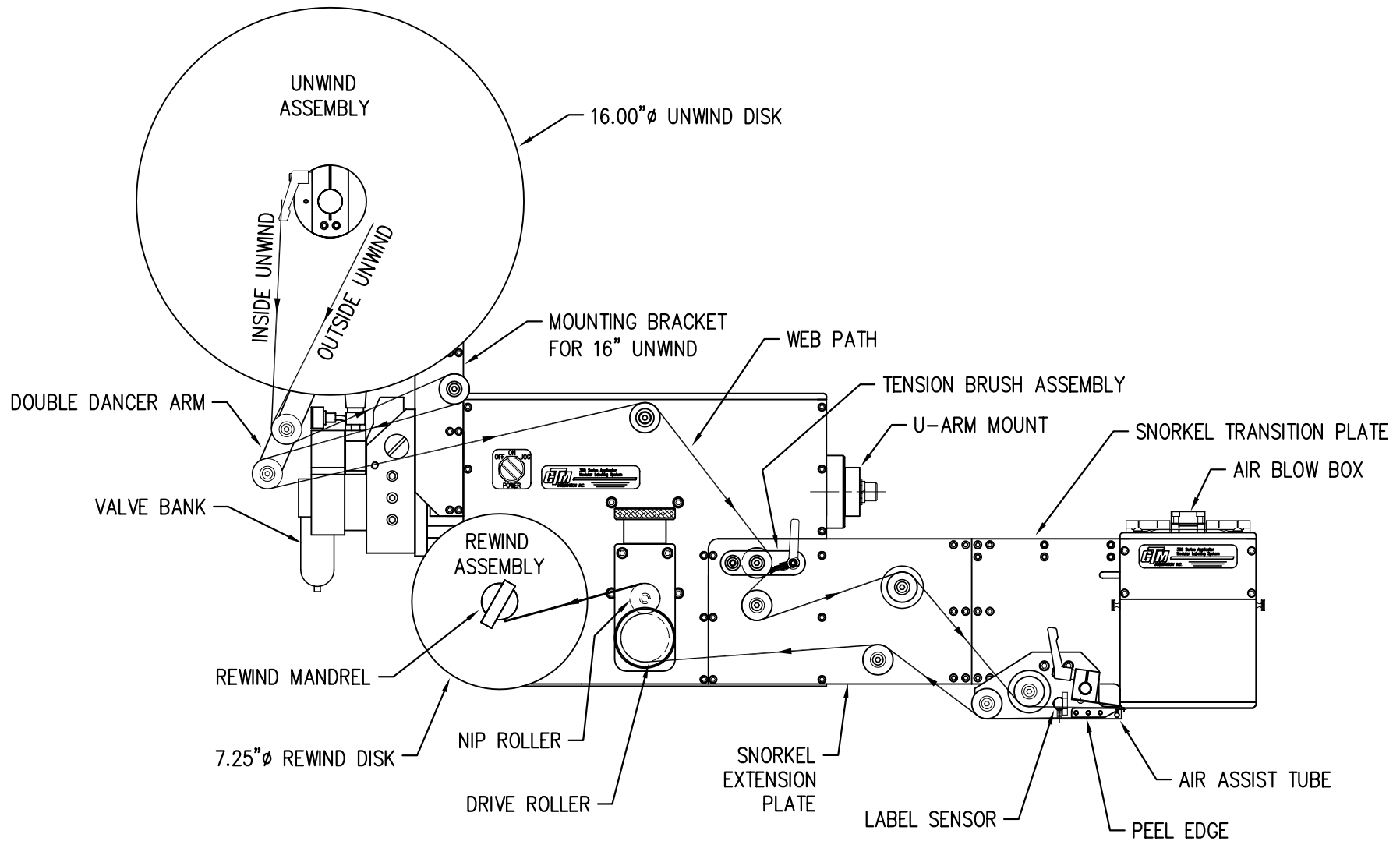


WEB PATH DIAGRAM  
360 SERIES LEFT HAND 12" EXTENDED AIR BLOW BOX APPLICATOR  
WITH 16" UNWIND



# WEB PATH DIAGRAM

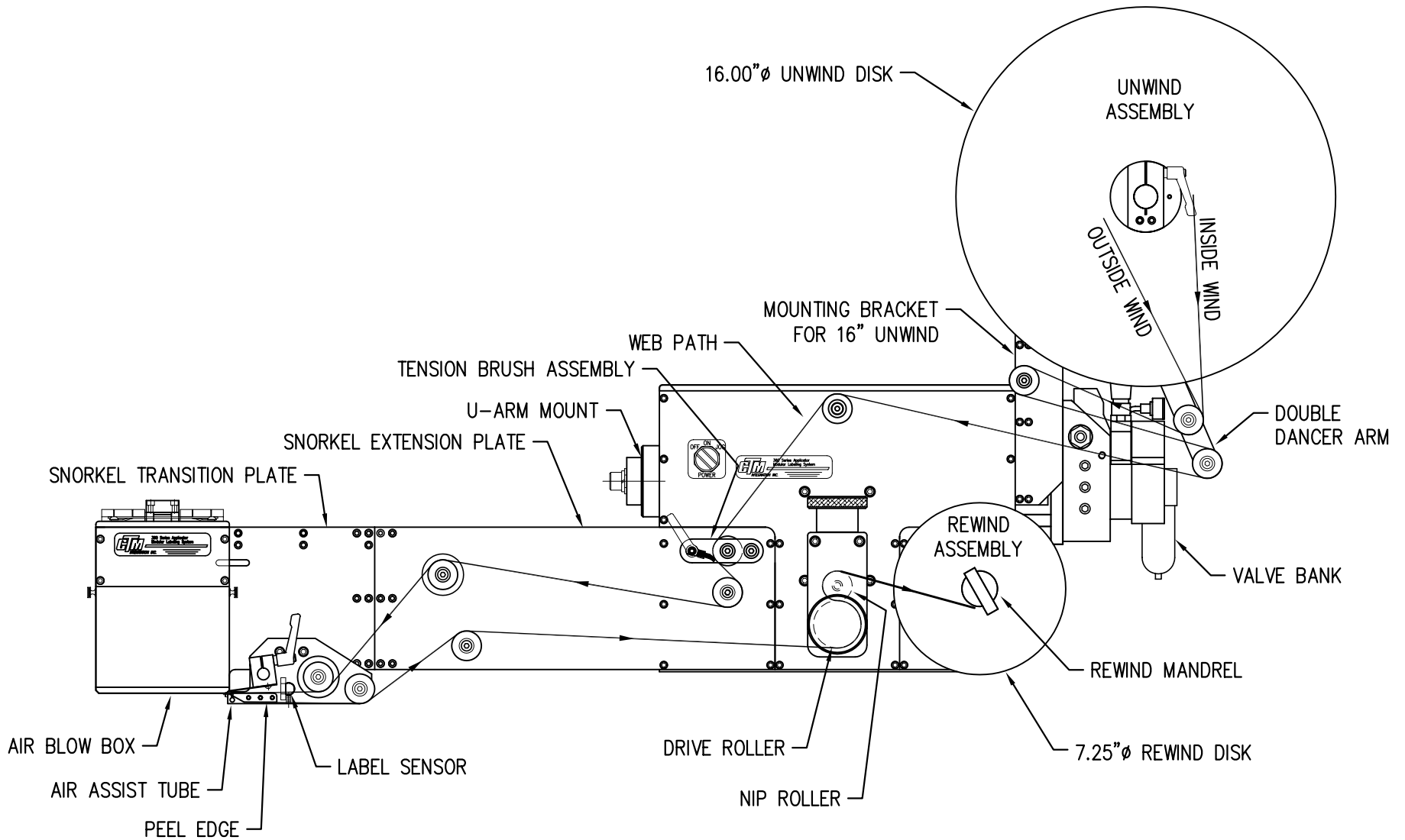
## 360 SERIES RIGHT HAND 12" EXTENDED AIR BLOW BOX APPLICATOR WITH 16" UNWIND





# WEB PATH DIAGRAM

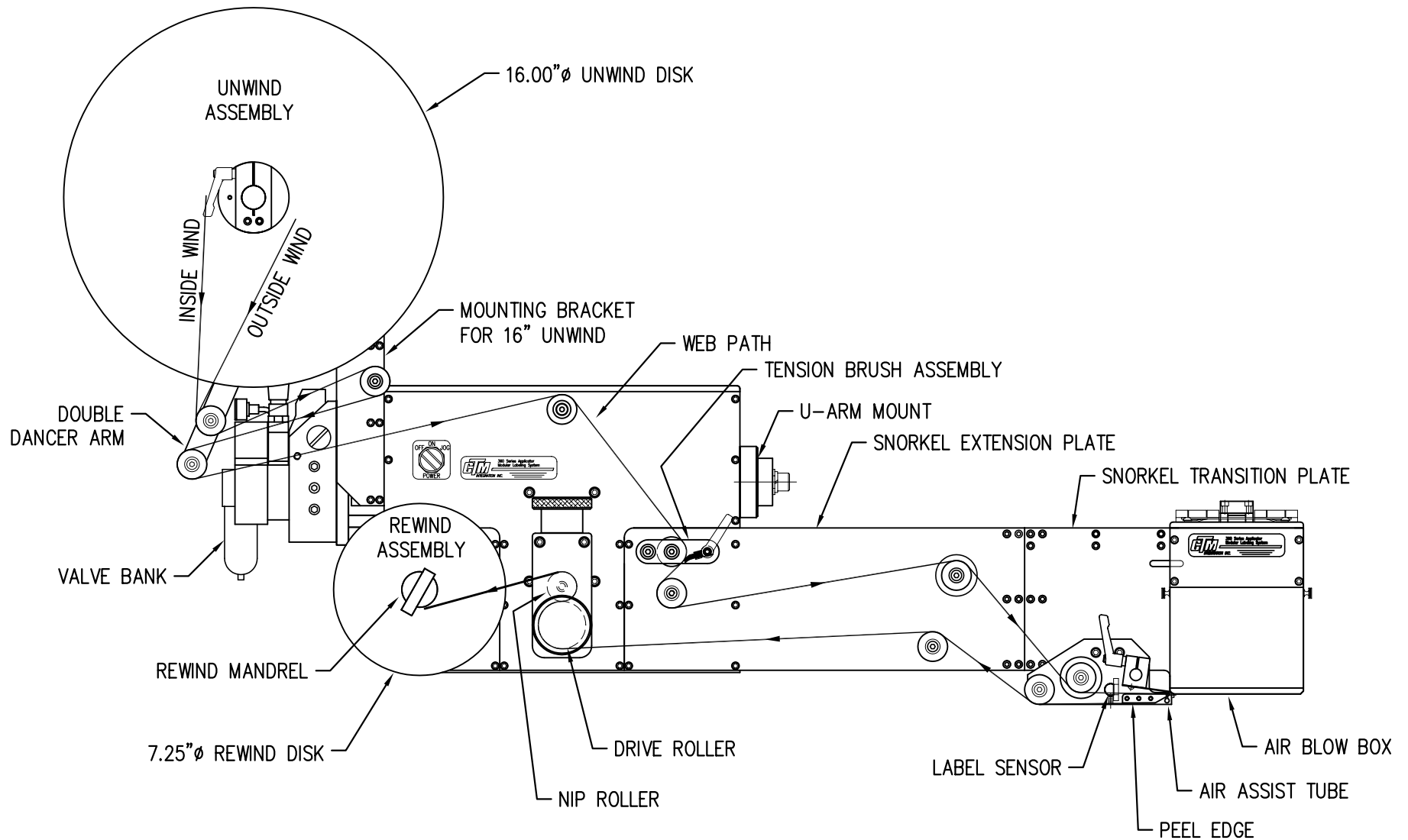
360 SERIES LEFT HAND 18"/24" EXTENDED AIR BLOW BOX APPLICATOR  
WITH 16" UNWIND



(NOTE: 18" EXTENDED SNORKEL SHOWN)

# WEB PATH DIAGRAM

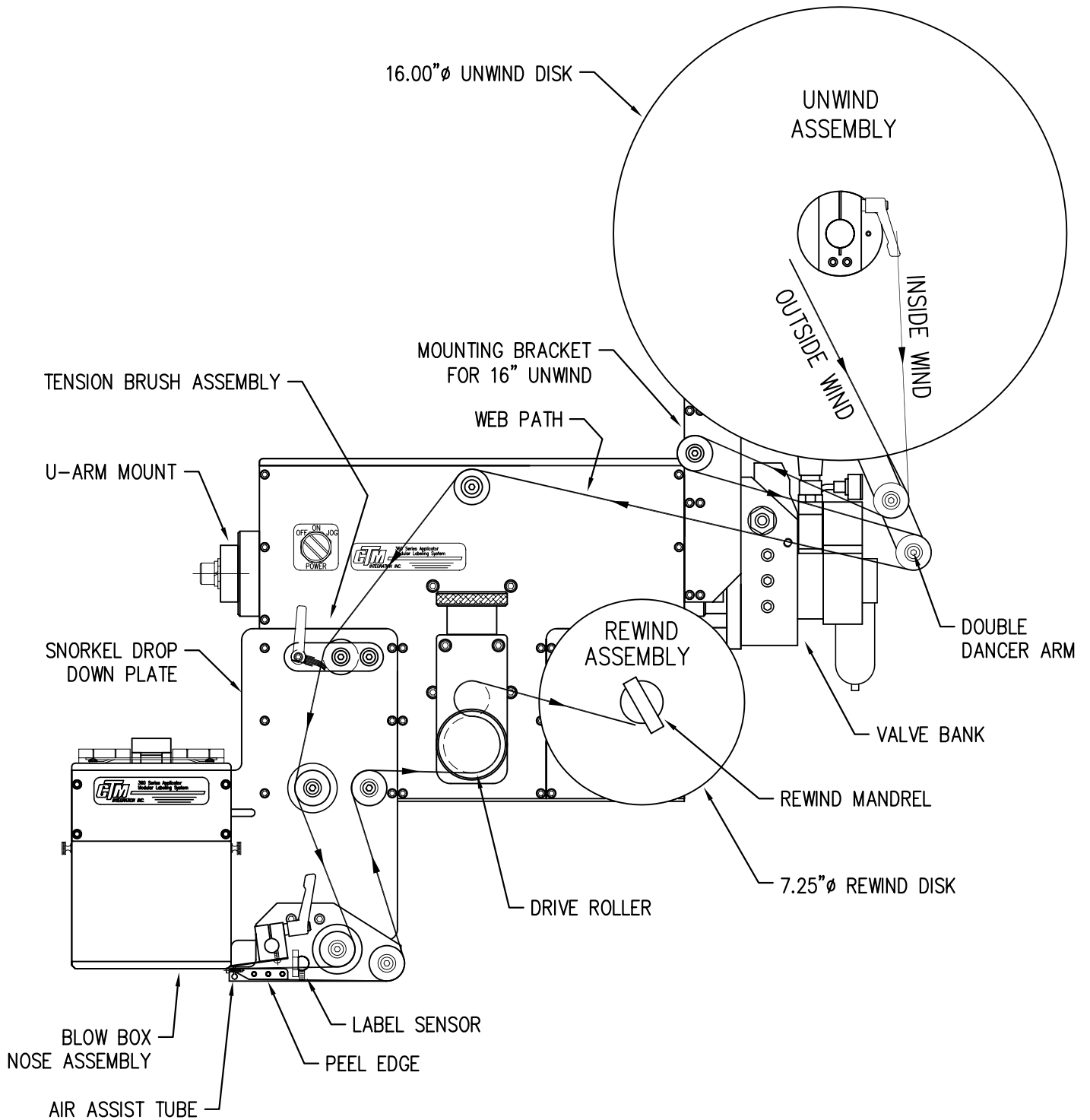
## 360 SERIES RIGHT HAND 18"/24" EXTENDED AIR BLOW BOX APPLICATOR WITH 16" UNWIND



(NOTE: 18" EXTENDED SNORKEL SHOWN)

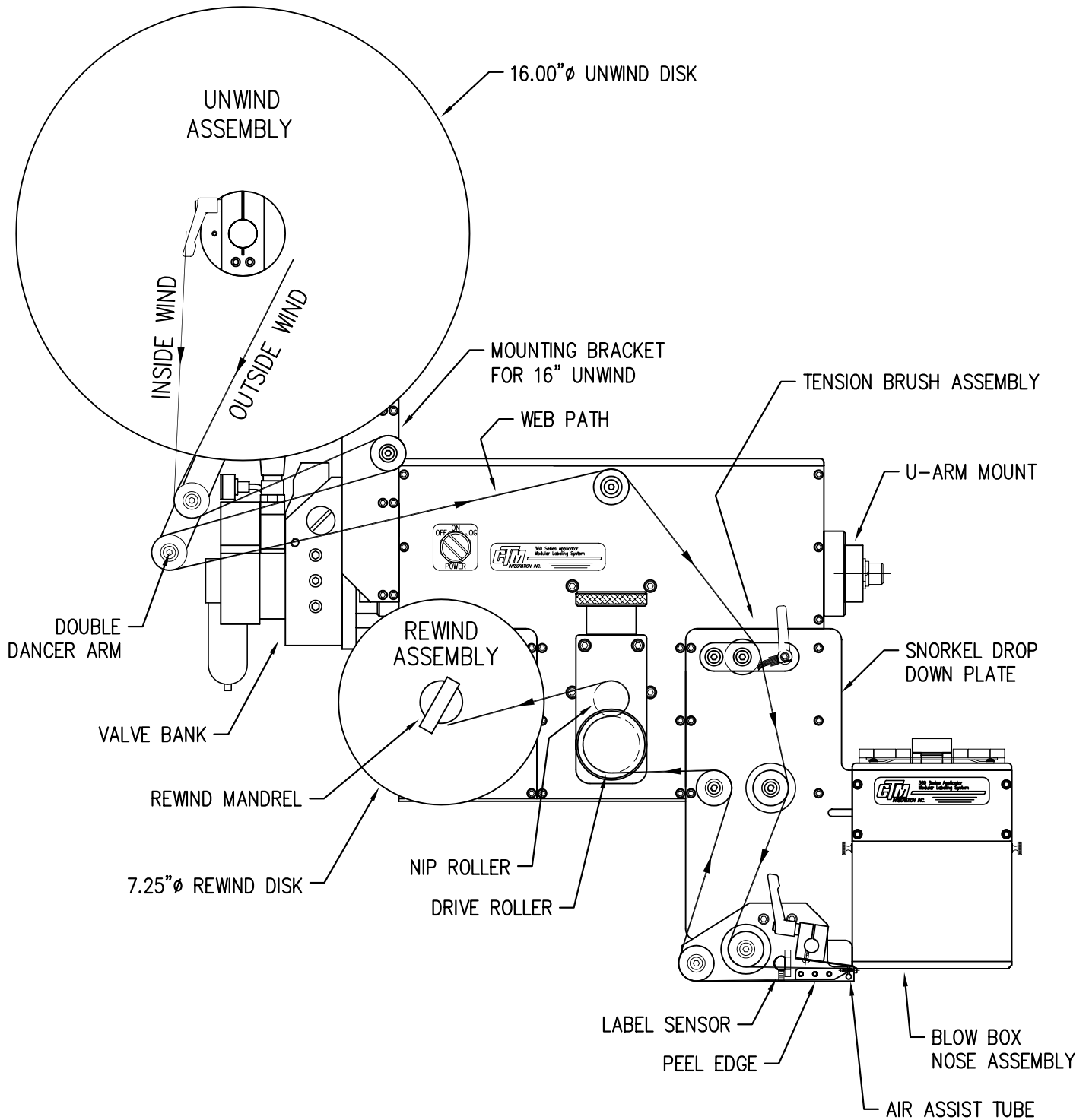
WEB PATH DIAGRAM

360 SERIES LEFT HAND 6" DROP DOWN AIR BLOW BOX APPLICATOR  
WITH 16" UNWIND



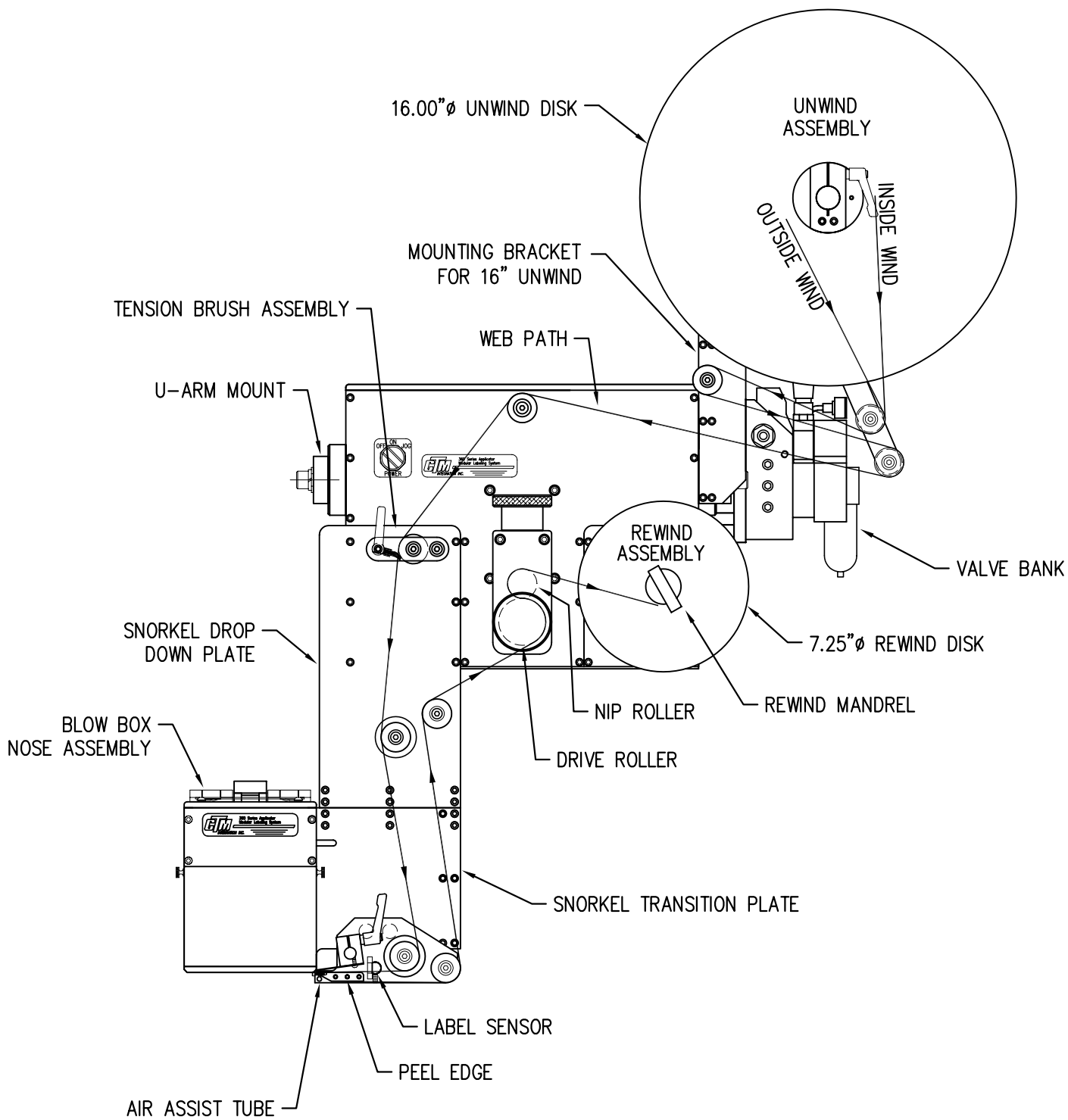
WEB PATH DIAGRAM

360 SERIES RIGHT HAND 6" DROP DOWN AIR BLOW BOX APPLICATOR  
WITH 16" UNWIND



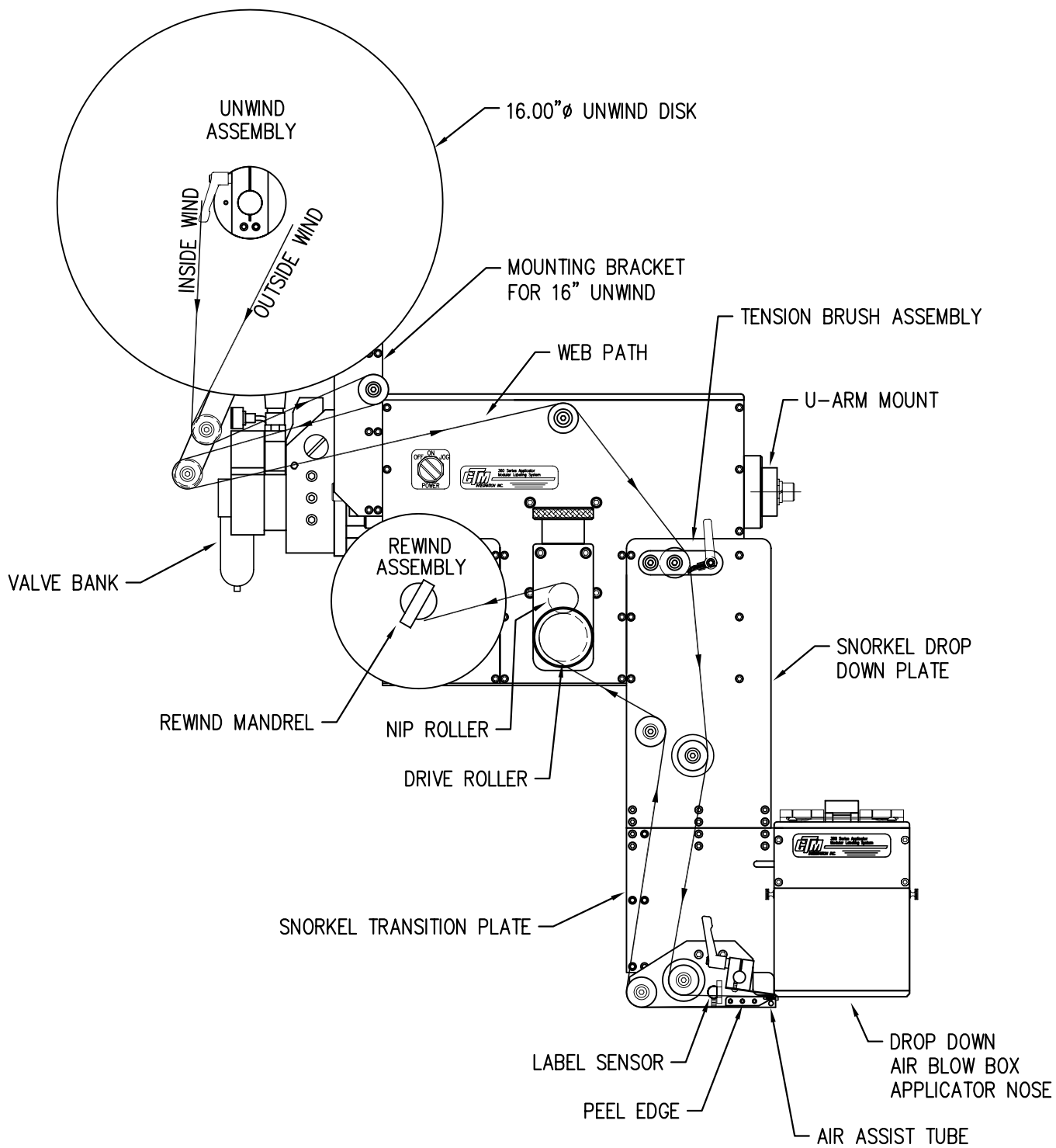
# WEB PATH DIAGRAM

## 360 SERIES LEFT HAND 12" DROP DOWN AIR BLOW BOX APPLICATOR WITH 16" UNWIND



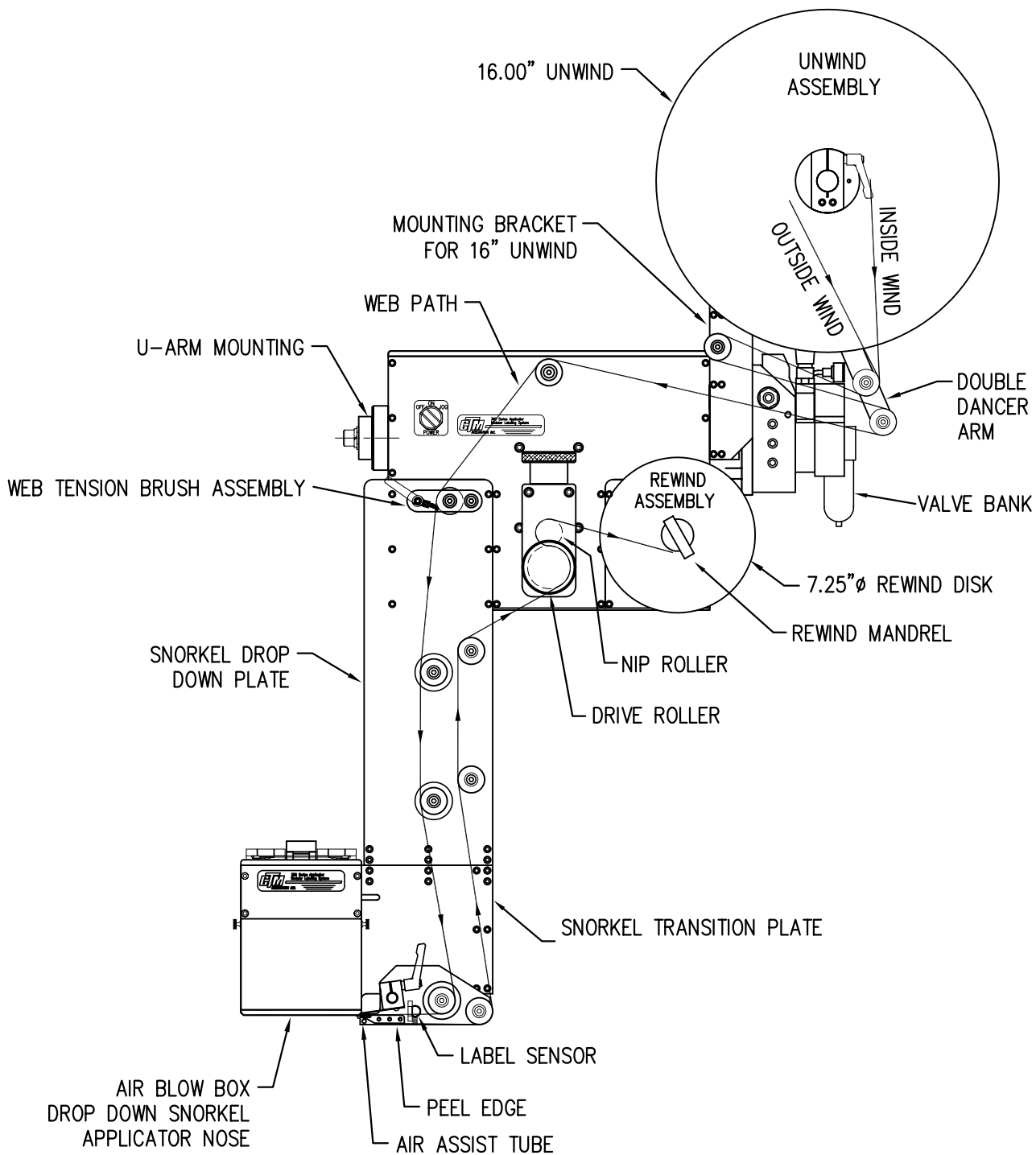
WEB PATH DIAGRAM

360 SERIES RIGHT HAND 12" DROP DOWN AIR BLOW BOX APPLICATOR  
WITH 16" UNWIND



# WEB PATH DIAGRAM

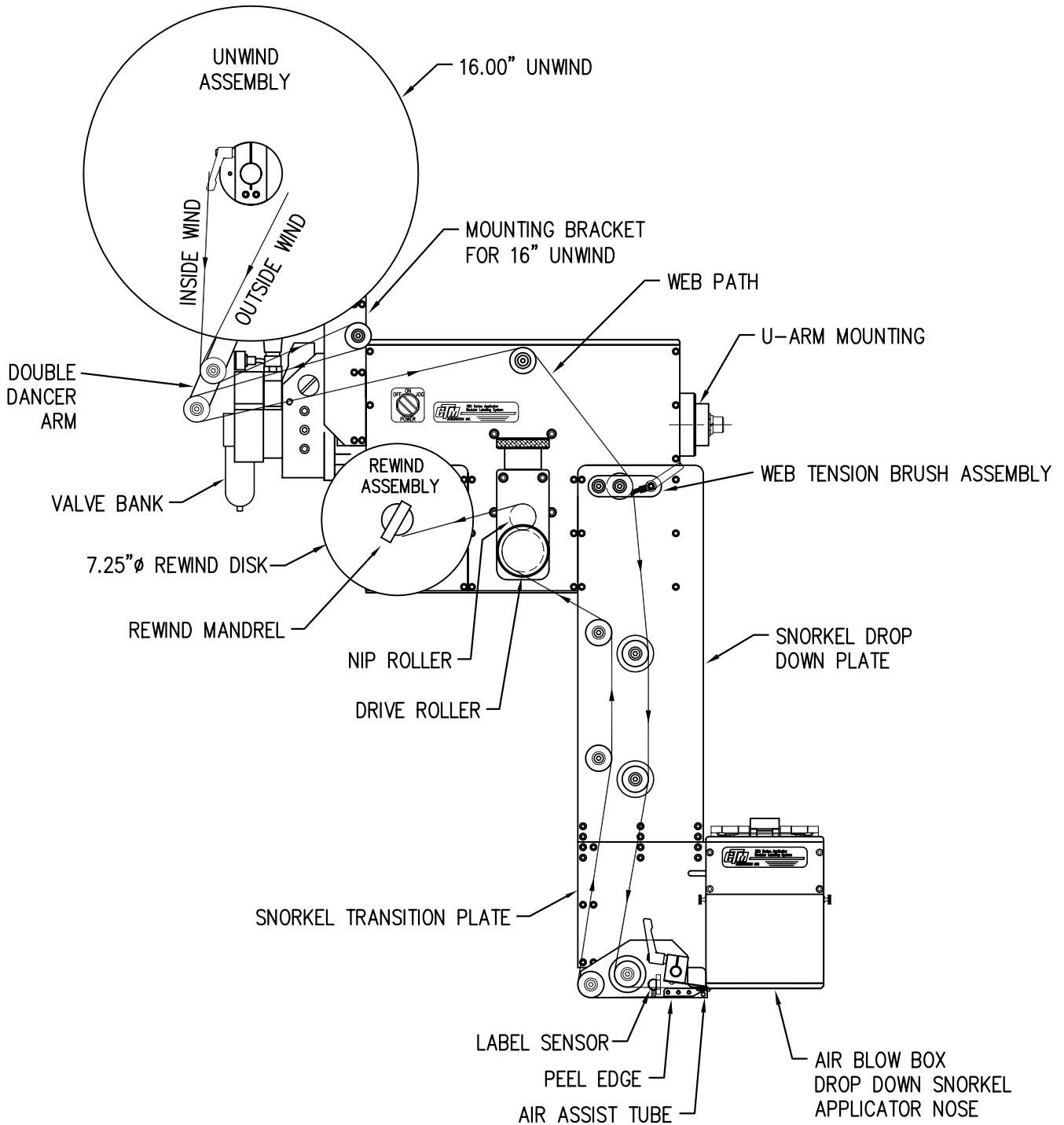
360 SERIES LEFT HAND 18"/24" DROP DOWN AIR BLOW BOX APPLICATOR WITH 16" UNWIND



(NOTE: 18" DROP DOWN SHOWN)

WEB PATH DIAGRAM

360 SERIES RIGHT HAND 18"/24" DROP DOWN AIR BLOW BOX APPLICATOR  
WITH 16" UNWIND



(NOTE: 18" DROP DOWN SHOWN)



WEB PATH DIAGRAM  
360 SERIES LEFT HAND AIR BLOW BOX APPLICATOR  
WITH 16" UNWIND & POWERED REWIND

16.00"φ UNWIND DISK

UNWIND  
ASSEMBLY

OUTSIDE UNWIND

INSIDE UNWIND

DOUBLE  
DANCER  
ARM

POWERED REWIND  
ASSEMBLY

14.00"φ REWIND DISK

TENSION BRUSH ASSEMBLY

U-ARM MOUNT

MOUNTING BRACKET  
FOR 16" UNWIND

WEB PATH

VALVE BANK

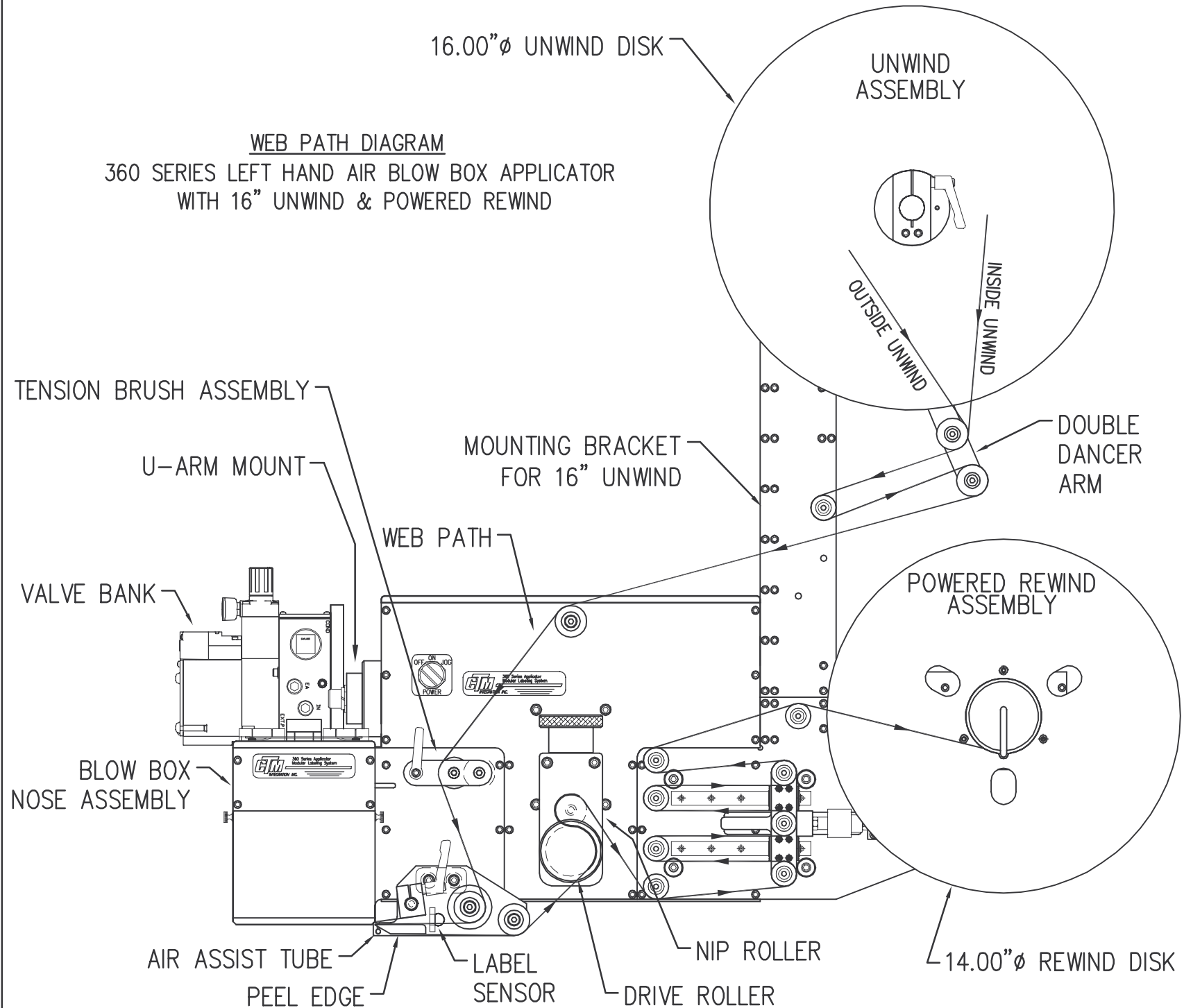
BLOW BOX  
NOSE ASSEMBLY

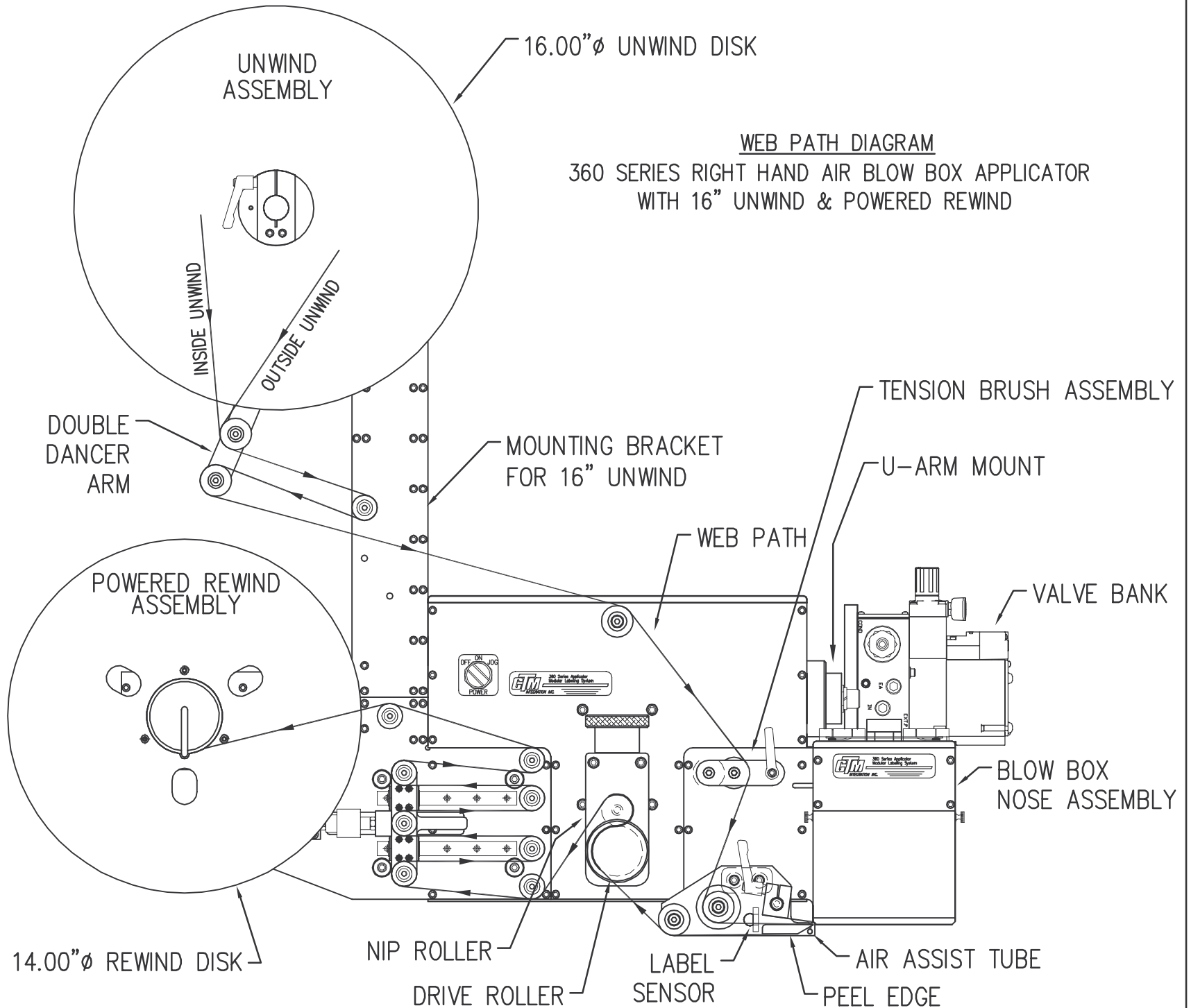
AIR ASSIST TUBE

PEEL EDGE

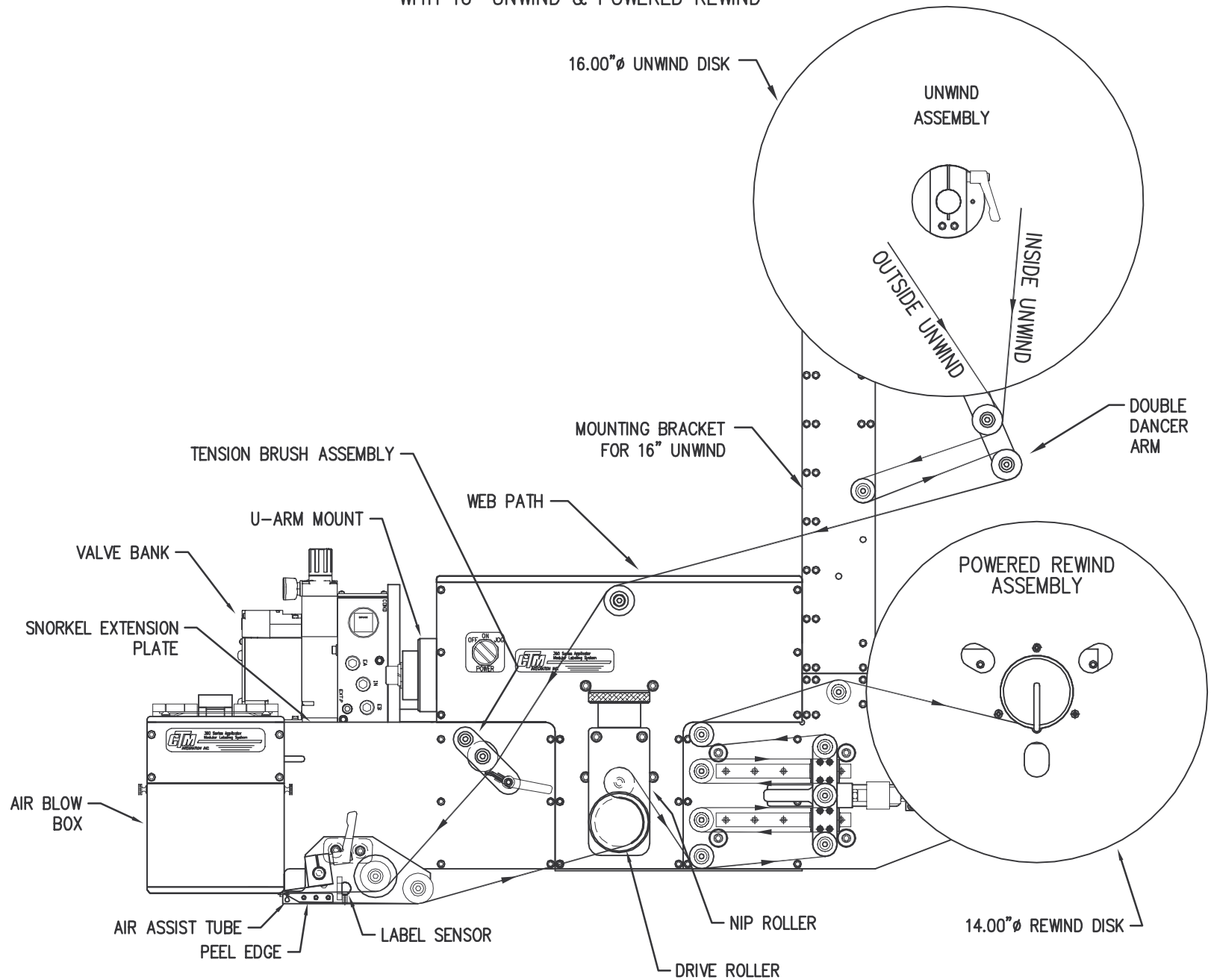
LABEL  
SENSOR

NIP ROLLER  
DRIVE ROLLER

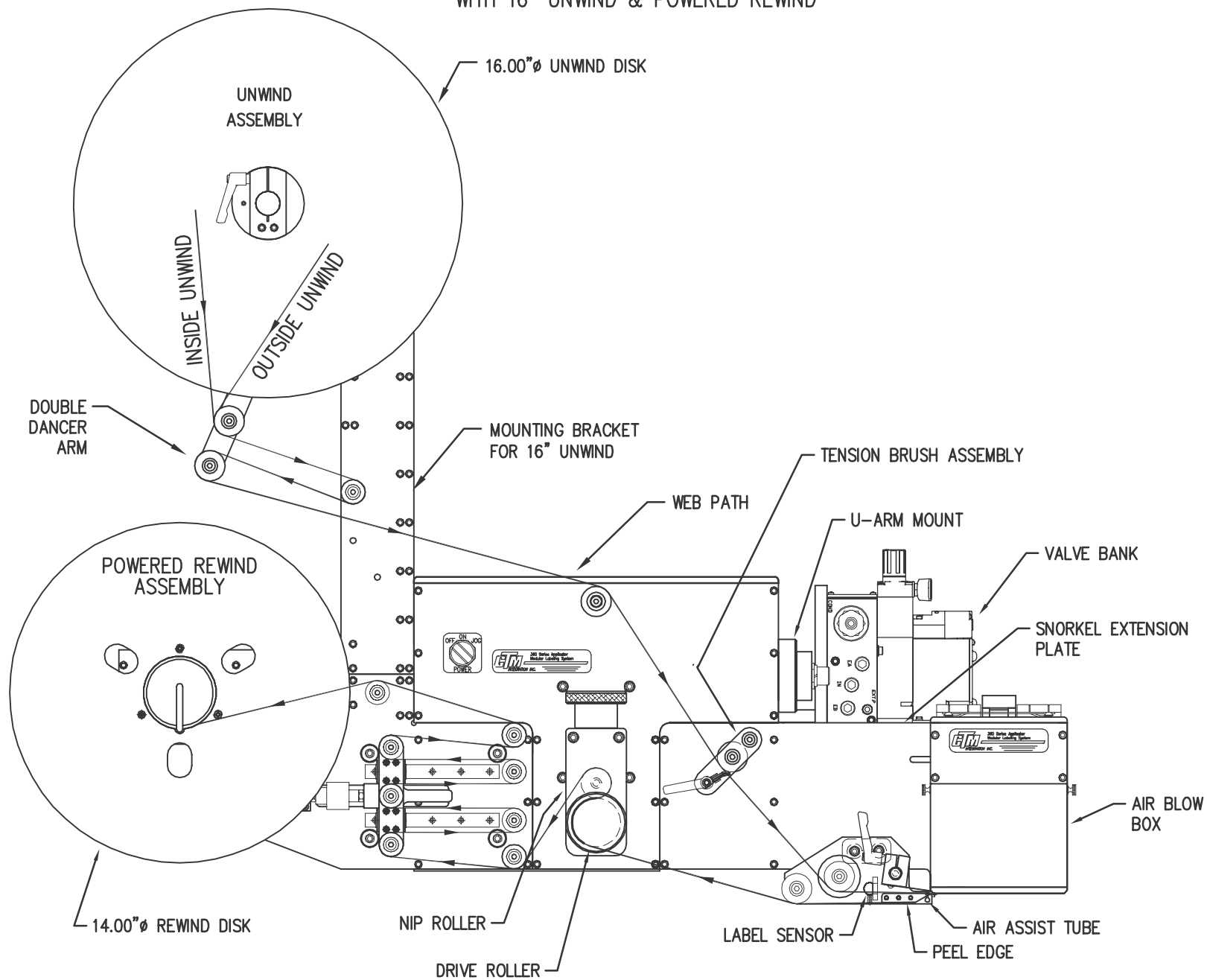




WEB PATH DIAGRAM  
360 SERIES LEFT HAND 6" EXTENDED AIR BLOW BOX APPLICATOR  
WITH 16" UNWIND & POWERED REWIND

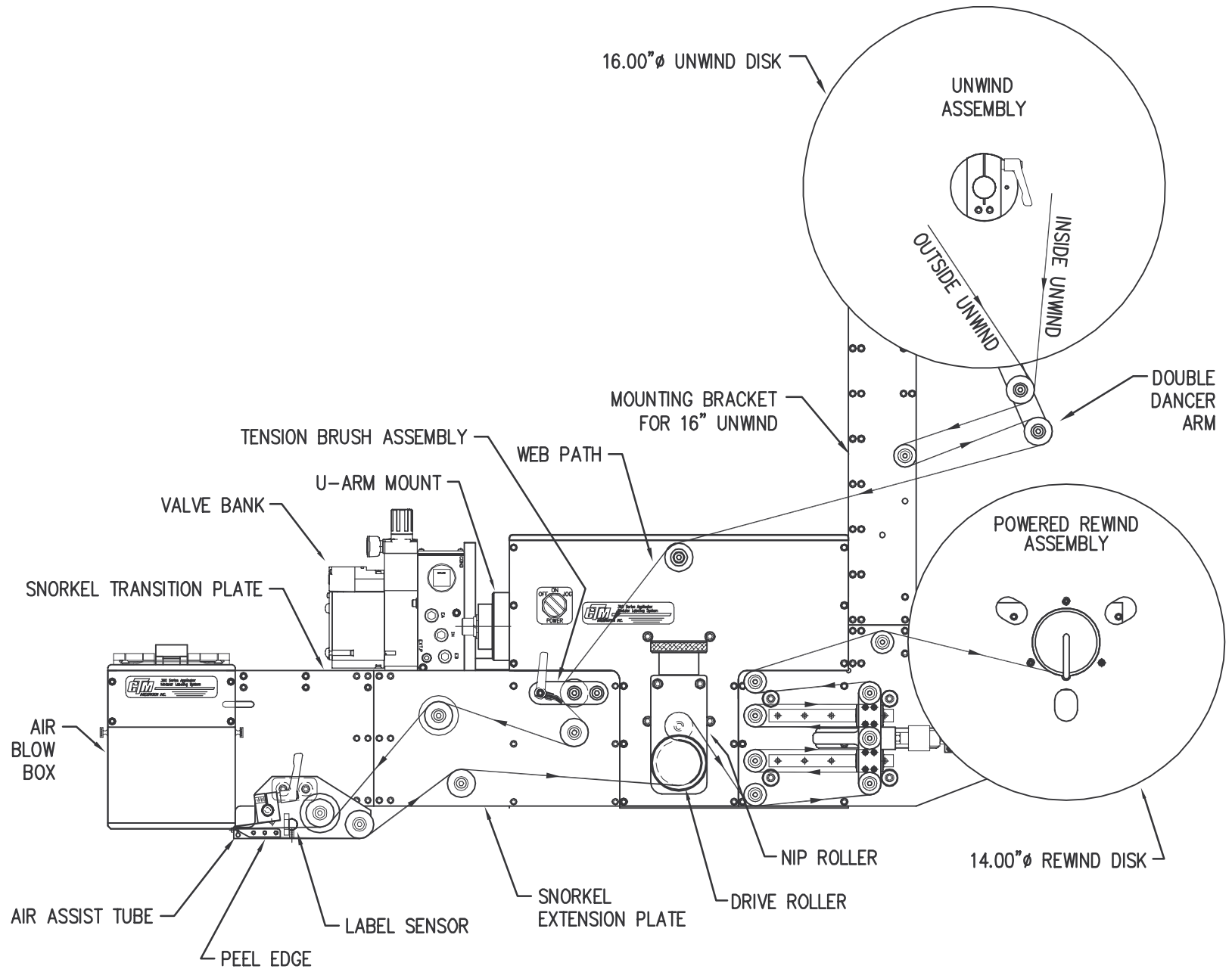


WEB PATH DIAGRAM  
360 SERIES RIGHT HAND 6" EXTENDED AIR BLOW BOX APPLICATOR  
WITH 16" UNWIND & POWERED REWIND



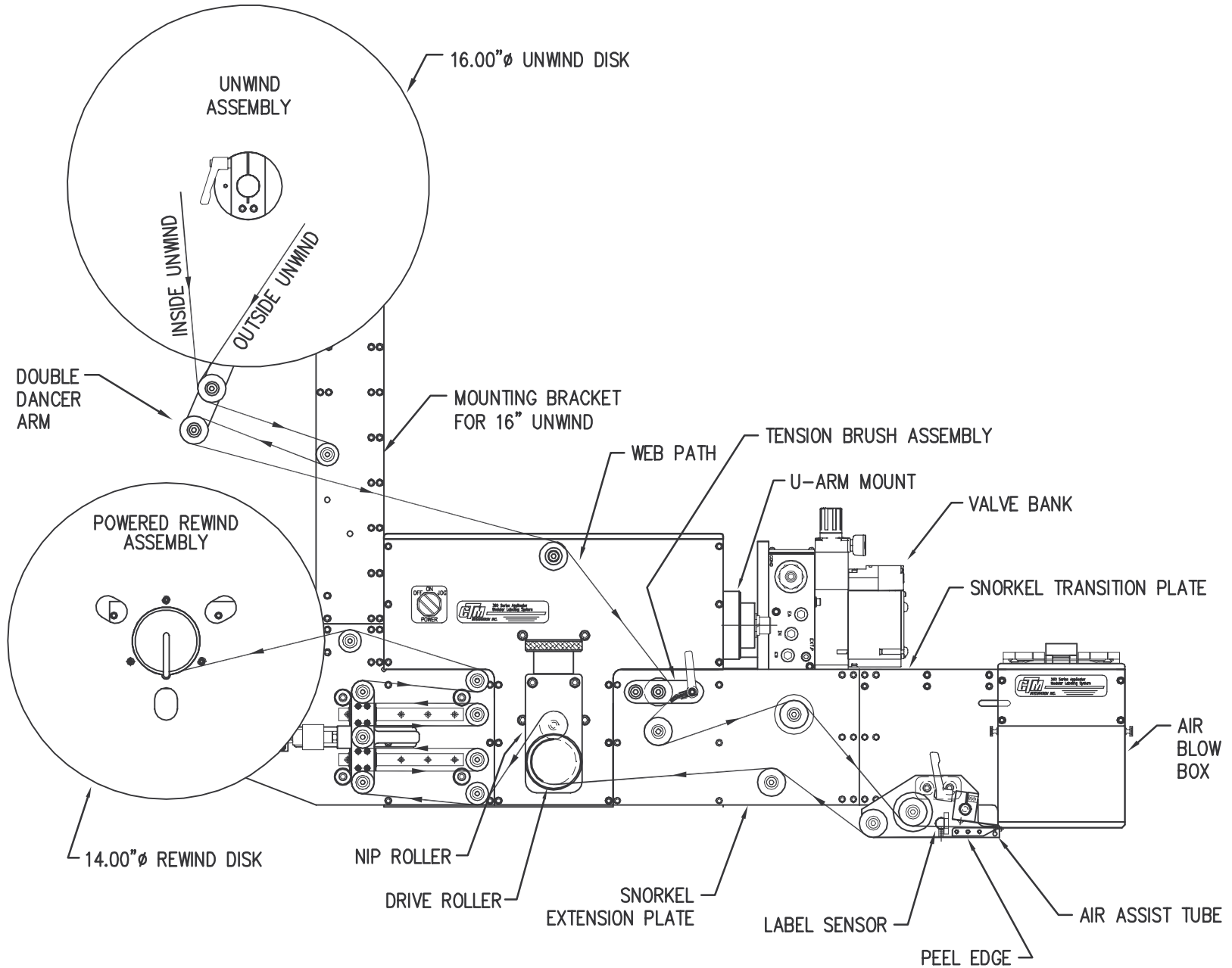
# WEB PATH DIAGRAM

360 SERIES LEFT HAND 12" EXTENDED AIR BLOW BOX APPLICATOR  
WITH 16" UNWIND & POWERED REWIND



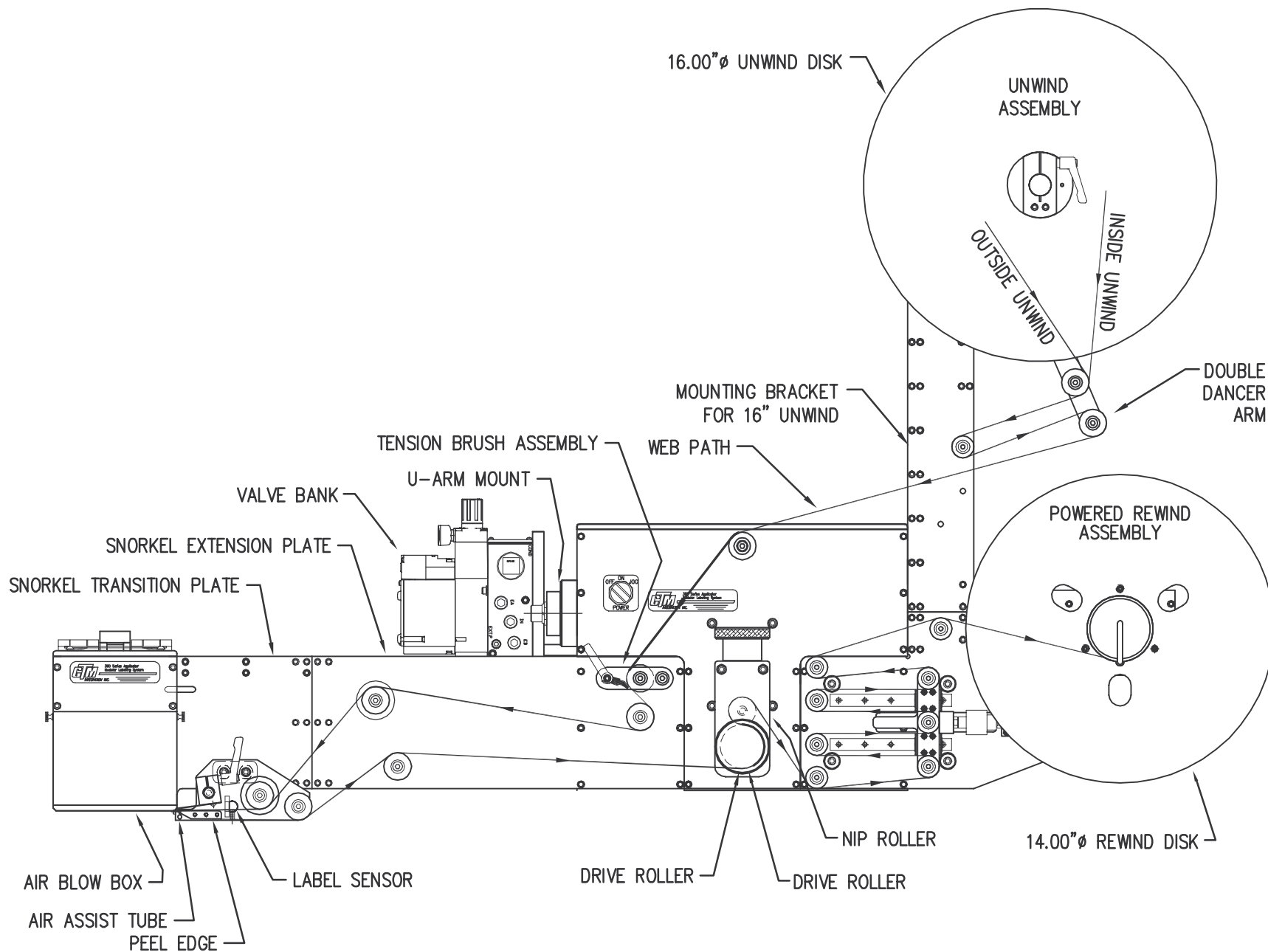
WEB PATH DIAGRAM

360 SERIES RIGHT HAND 12" EXTENDED AIR BLOW BOX APPLICATOR  
WITH 16" UNWIND & POWERED REWIND



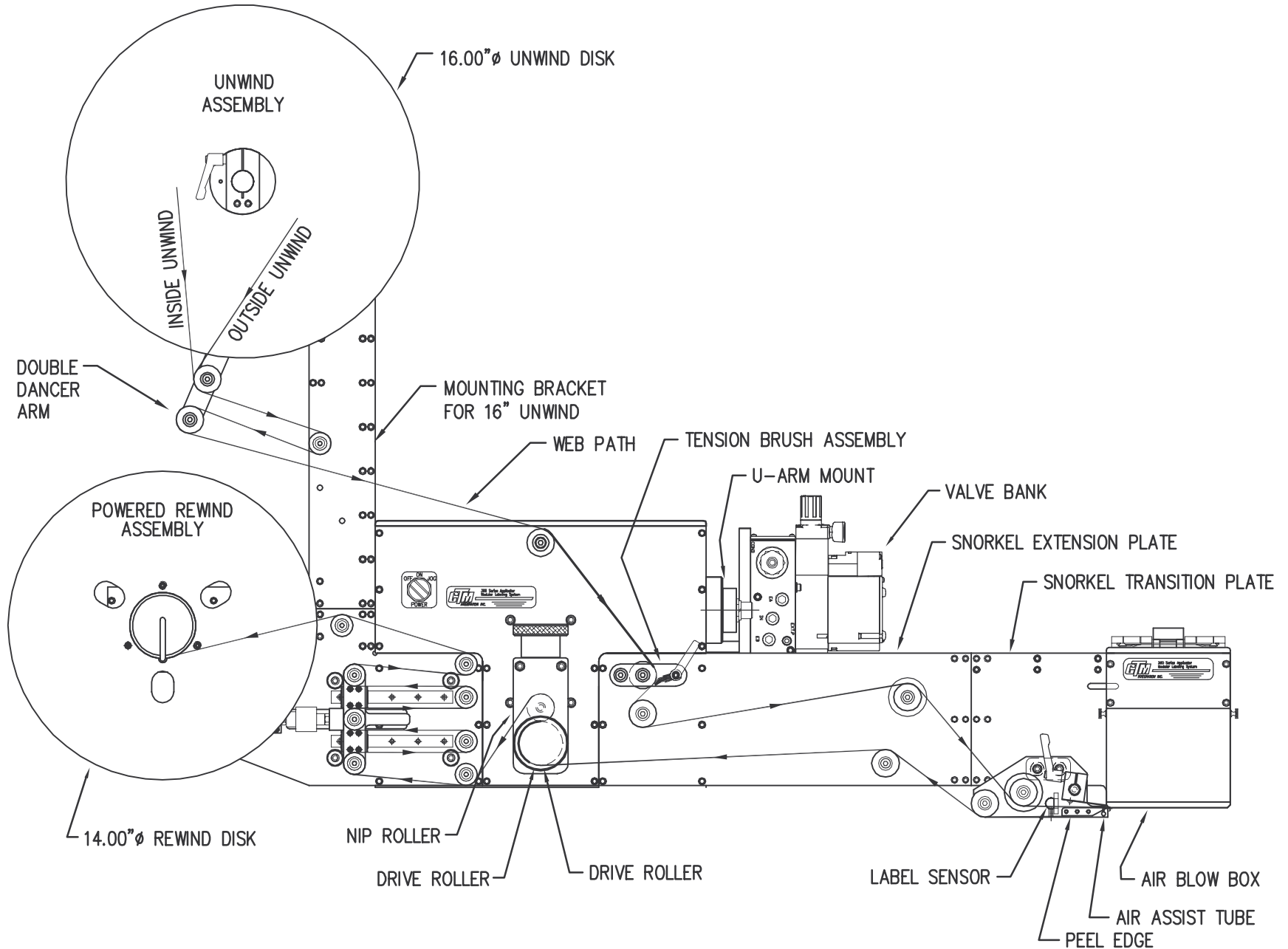
# WEB PATH DIAGRAM

360 SERIES LEFT HAND 18"/24" EXTENDED AIR BLOW BOX APPLICATOR  
WITH 16" UNWIND & POWERED REWIND



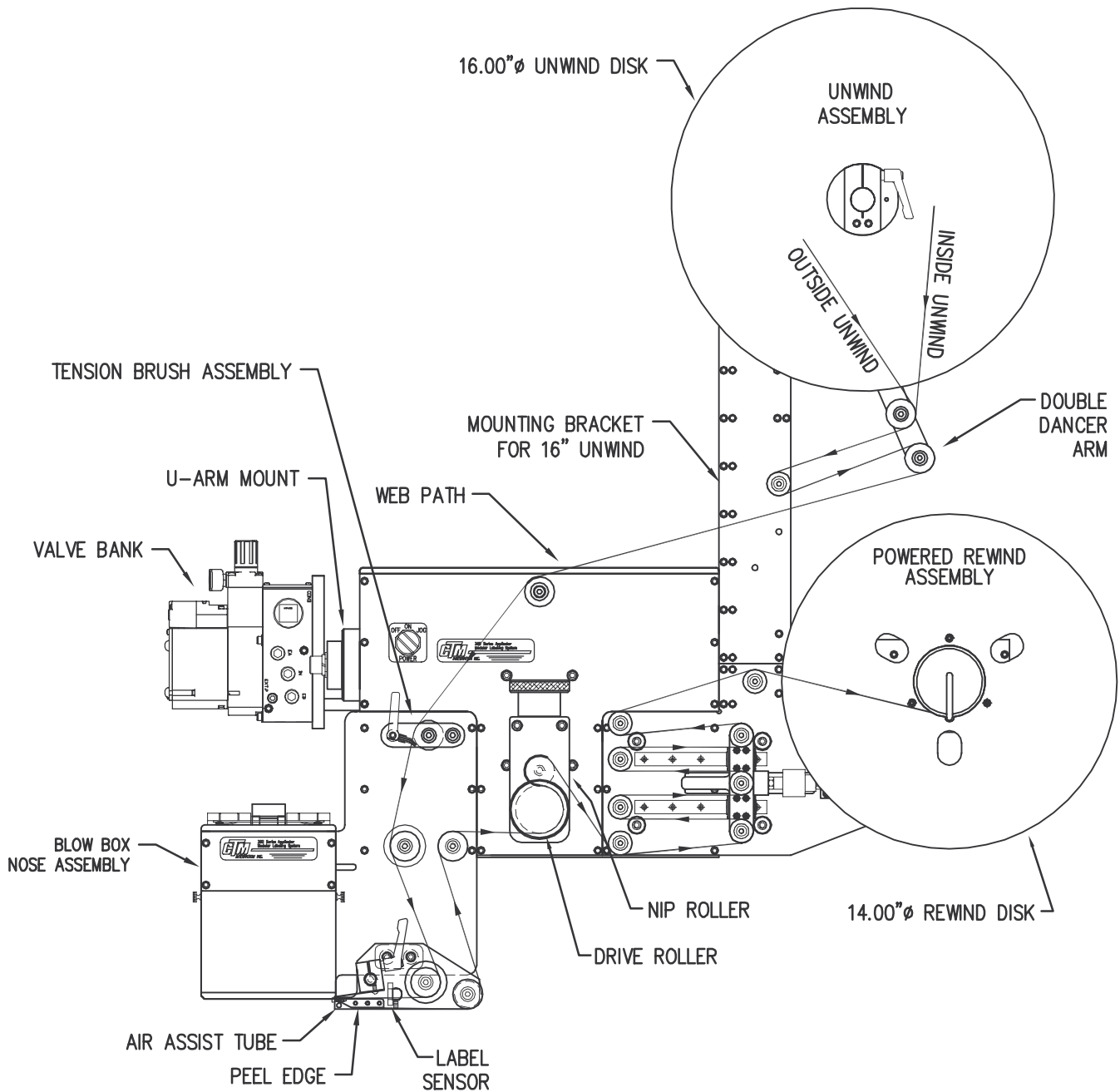
WEB PATH DIAGRAM

360 SERIES RIGHT HAND 18"/24" EXTENDED AIR BLOW BOX APPLICATOR  
WITH 16" UNWIND & POWERED REWIND

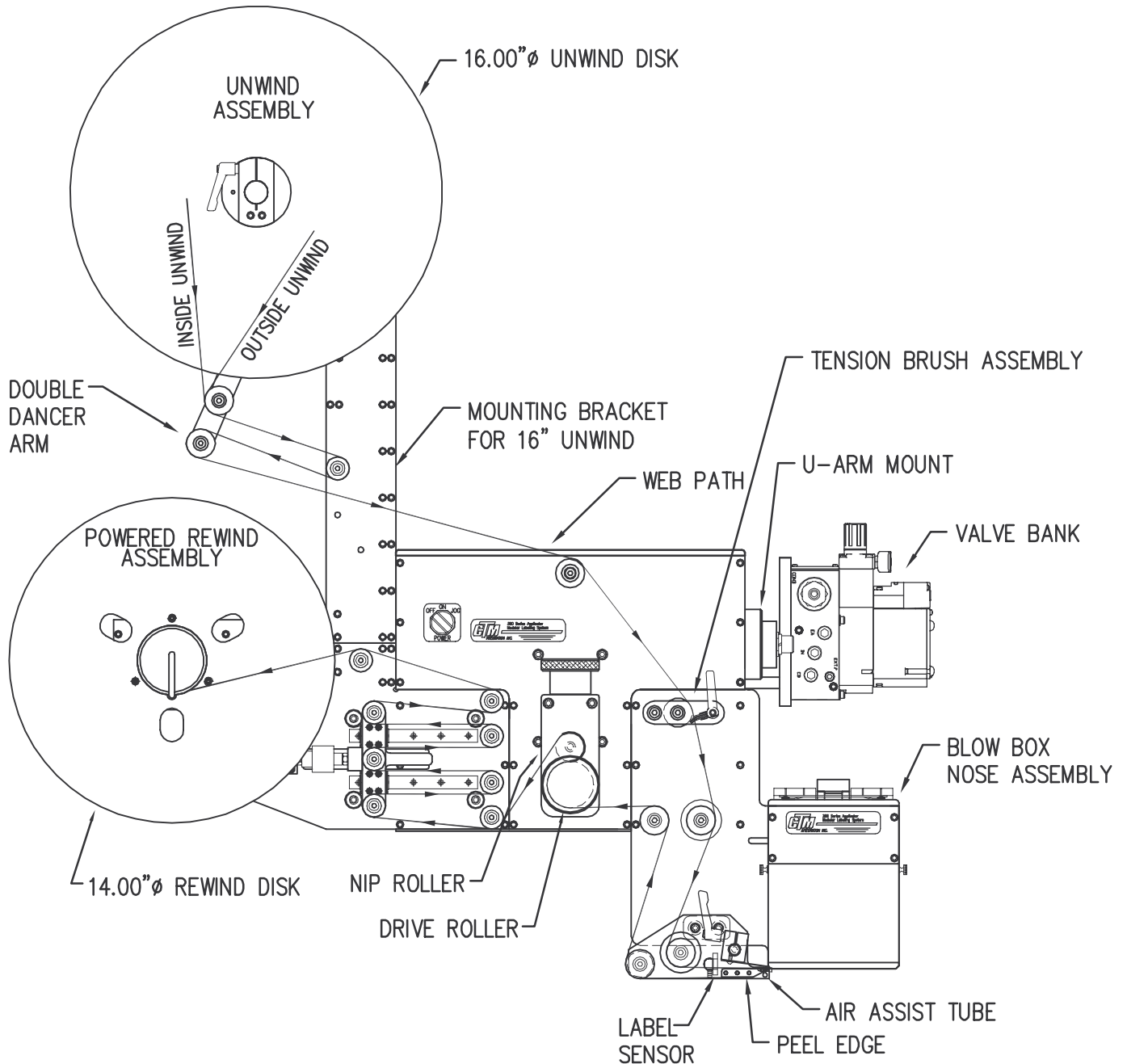




WEB PATH DIAGRAM  
360 SERIES LEFT HAND 6" DROP DOWN AIR BLOW BOX APPLICATOR  
WITH 16" UNWIND & POWERED REWIND



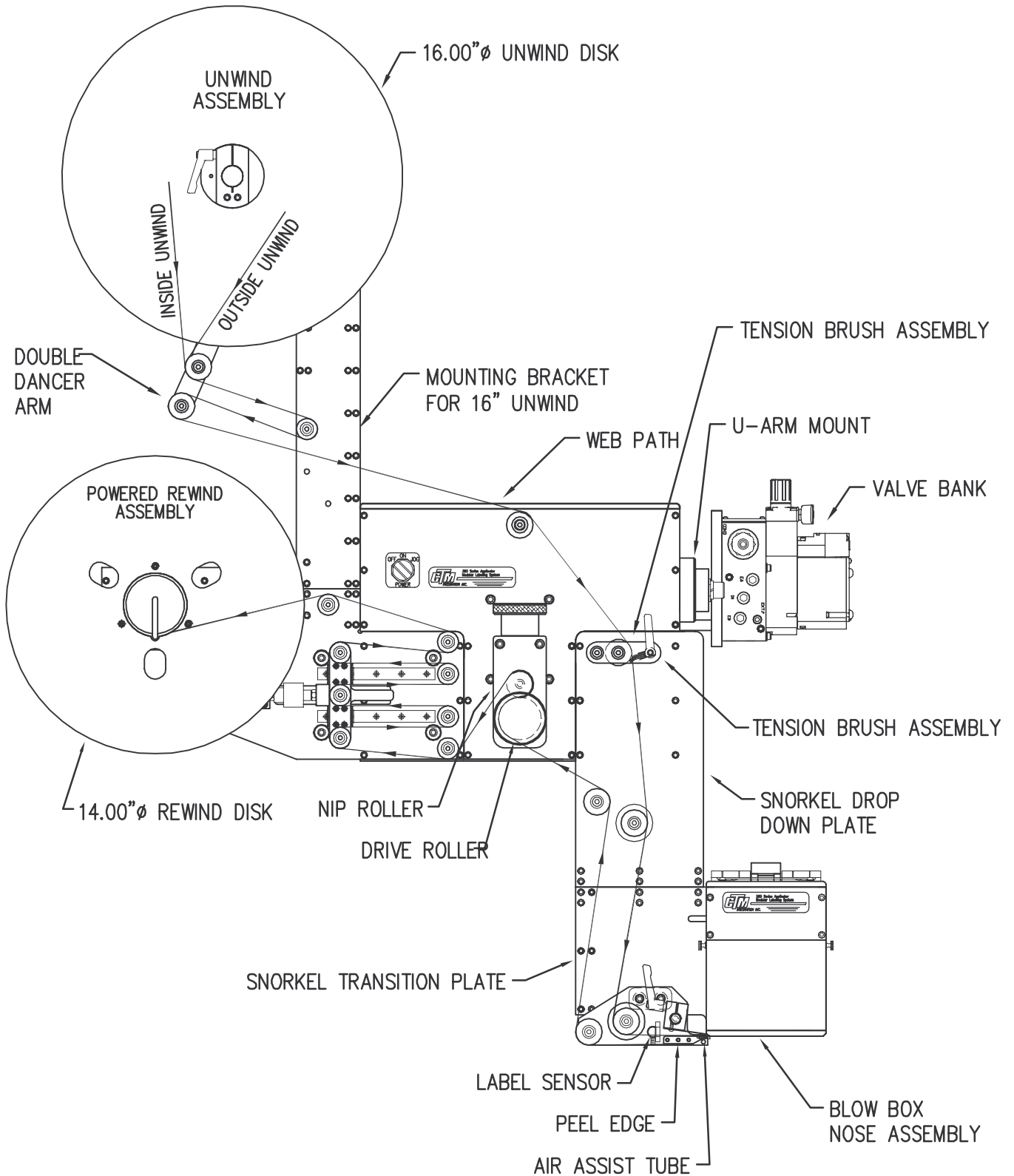
WEB PATH DIAGRAM  
360 SERIES RIGHT HAND 6" DROP DOWN AIR BLOW BOX APPLICATOR  
WITH 16" UNWIND & POWERED REWIND





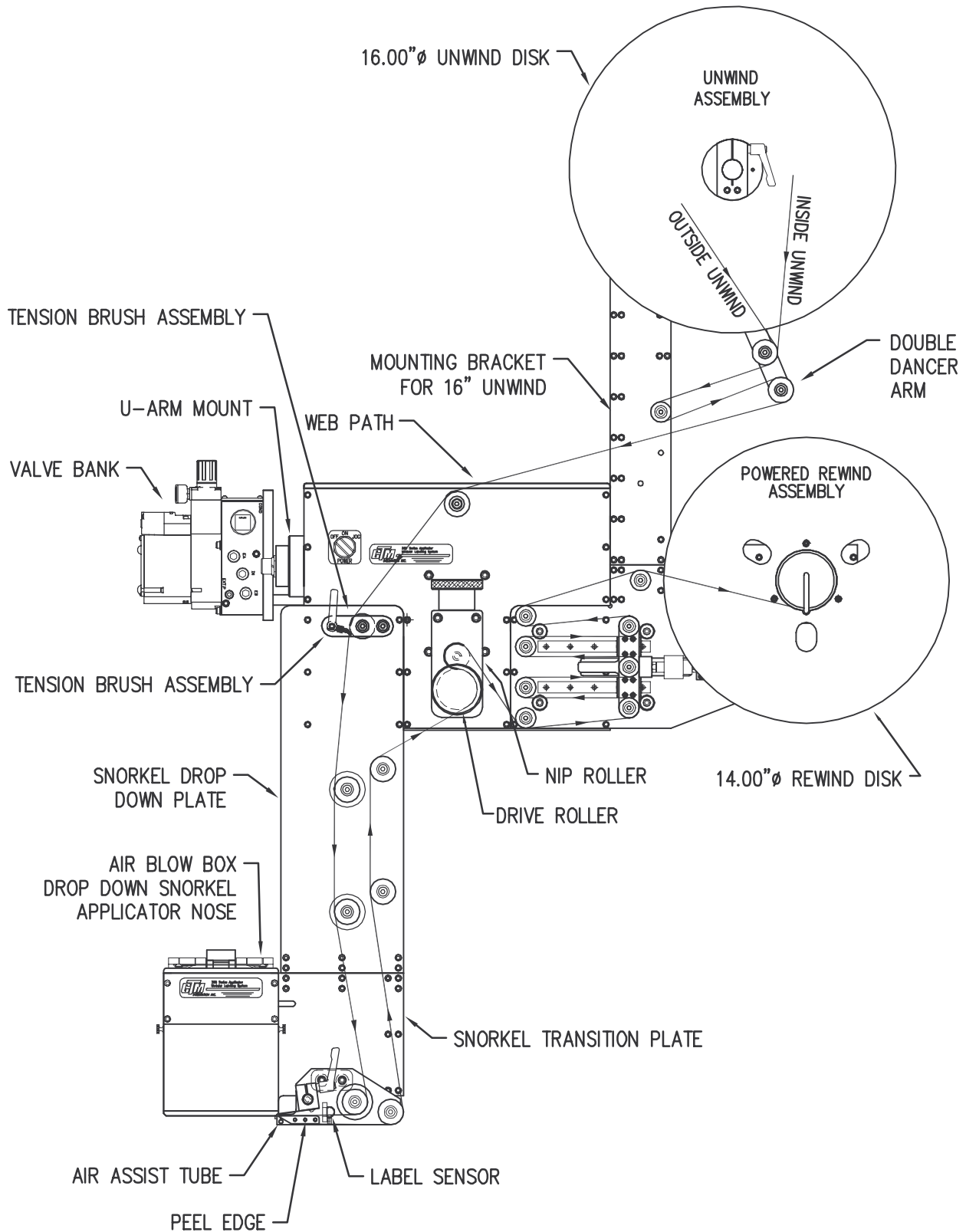
WEB PATH DIAGRAM

360 SERIES RIGHT HAND 12" DROP DOWN AIR BLOW BOX APPLICATOR  
WITH 16" UNWIND & POWERED REWIND



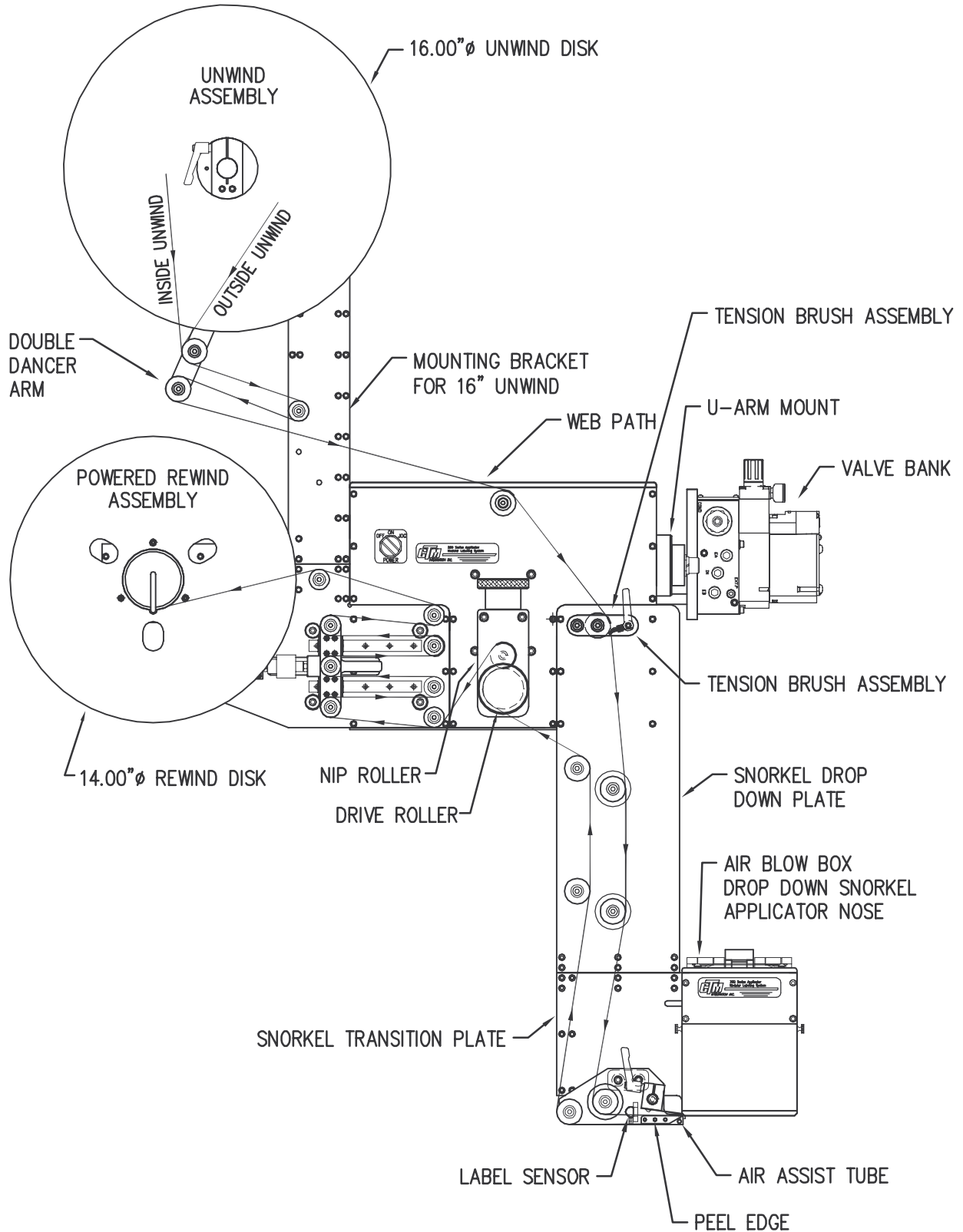
# WEB PATH DIAGRAM

360 SERIES LEFT HAND 18"/24" DROP DOWN AIR BLOW BOX APPLICATOR  
WITH 16" UNWIND & POWERED REWIND

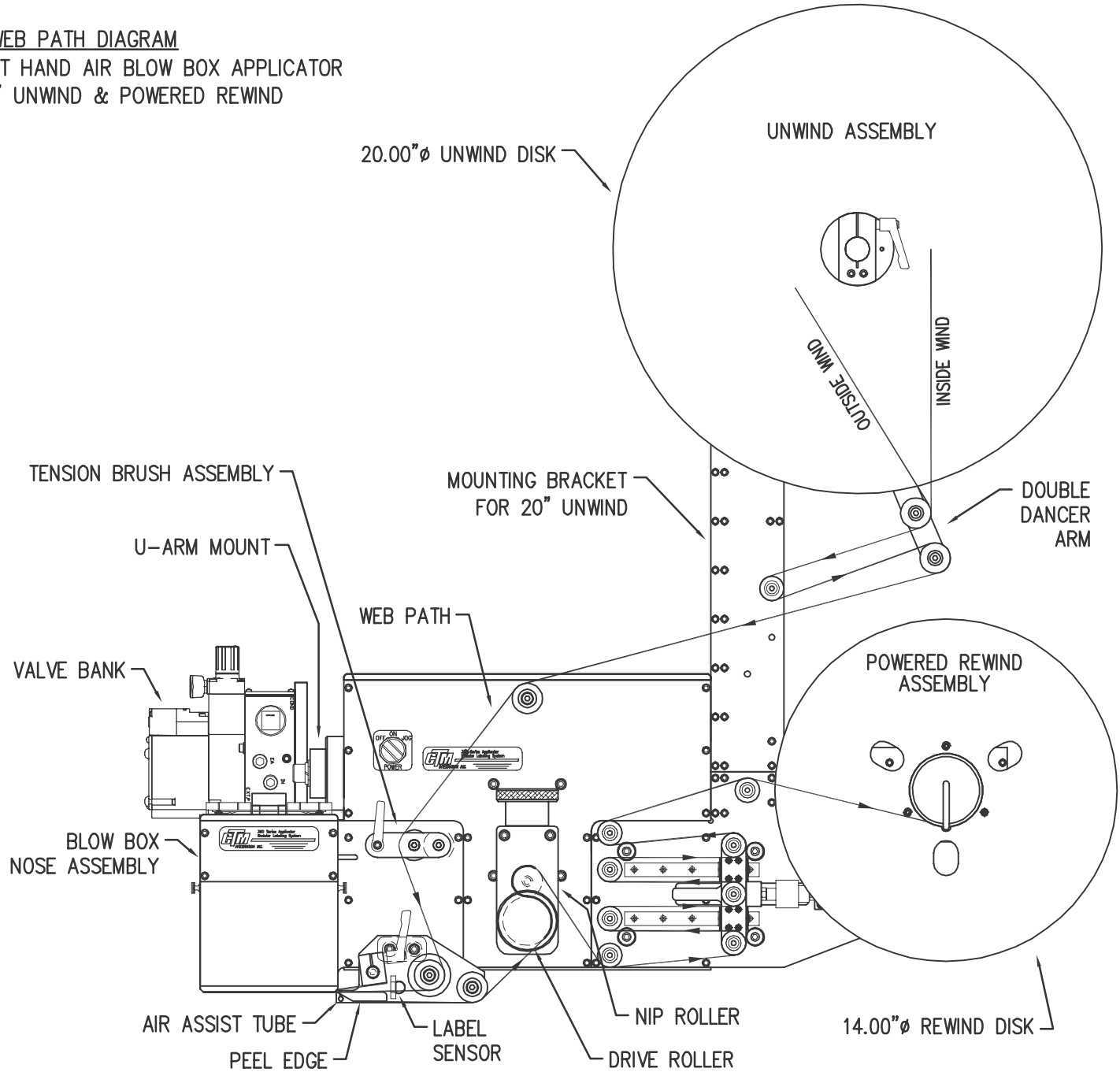


WEB PATH DIAGRAM

360 SERIES RIGHT HAND 18"/24" DROP DOWN AIR BLOW BOX APPLICATOR  
WITH 16" UNWIND & POWERED REWIND

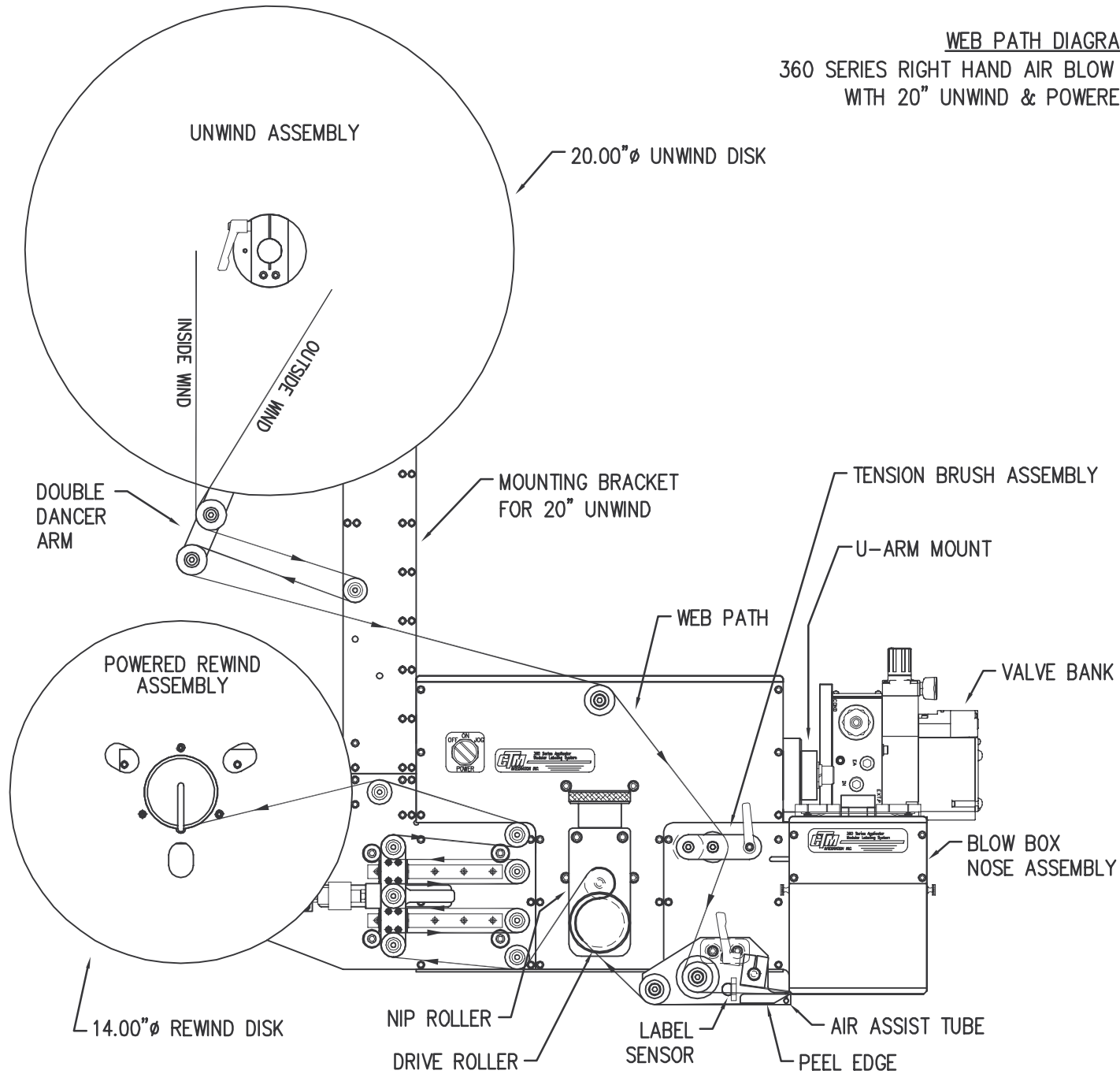


WEB PATH DIAGRAM  
360 SERIES LEFT HAND AIR BLOW BOX APPLICATOR  
WITH 20" UNWIND & POWERED REWIND



WEB PATH DIAGRAM

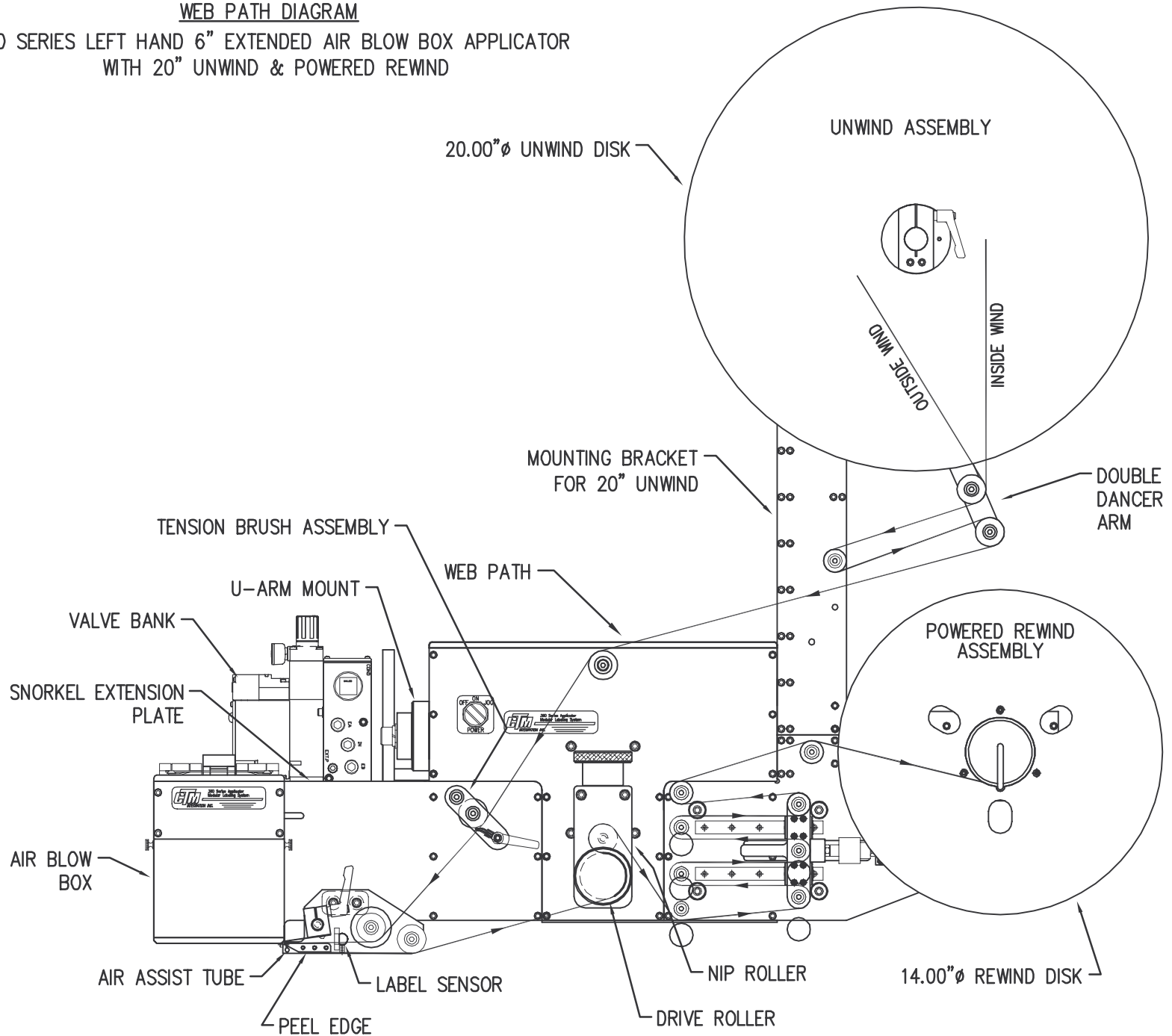
360 SERIES RIGHT HAND AIR BLOW BOX APPLICATOR  
WITH 20" UNWIND & POWERED REWIND





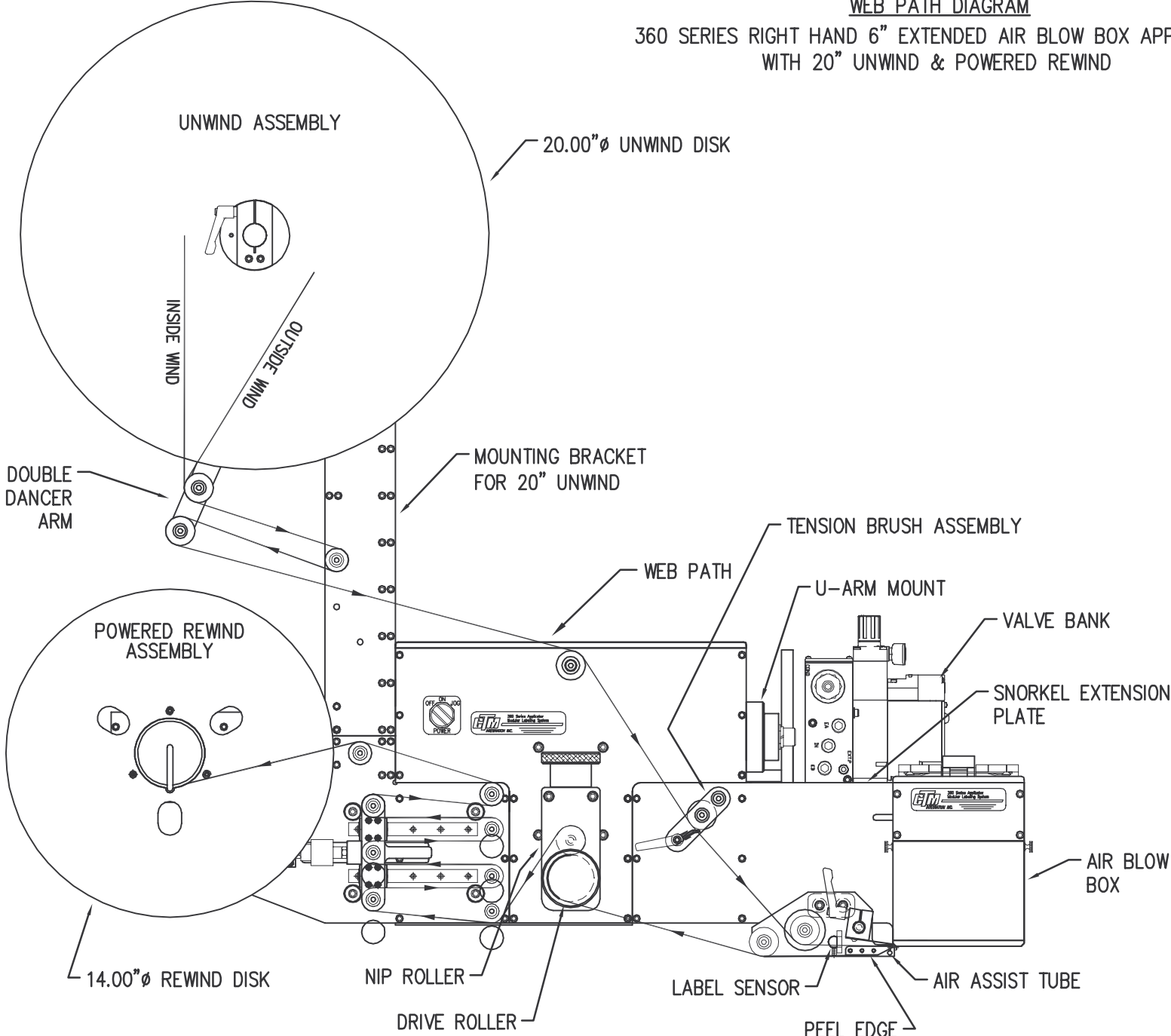
WEB PATH DIAGRAM

360 SERIES LEFT HAND 6" EXTENDED AIR BLOW BOX APPLICATOR  
WITH 20" UNWIND & POWERED REWIND



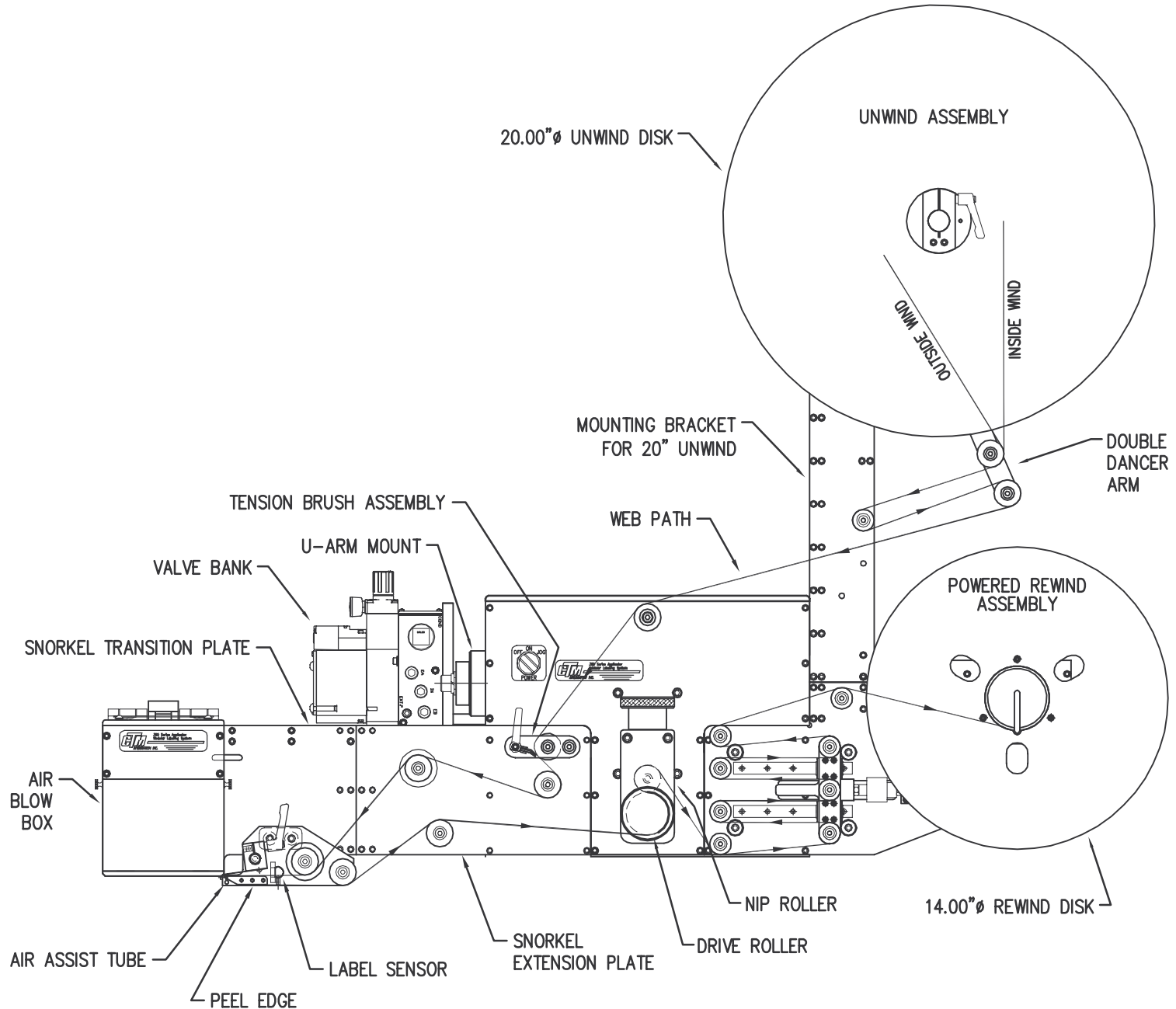
WEB PATH DIAGRAM

360 SERIES RIGHT HAND 6" EXTENDED AIR BLOW BOX APPLICATOR  
WITH 20" UNWIND & POWERED REWIND



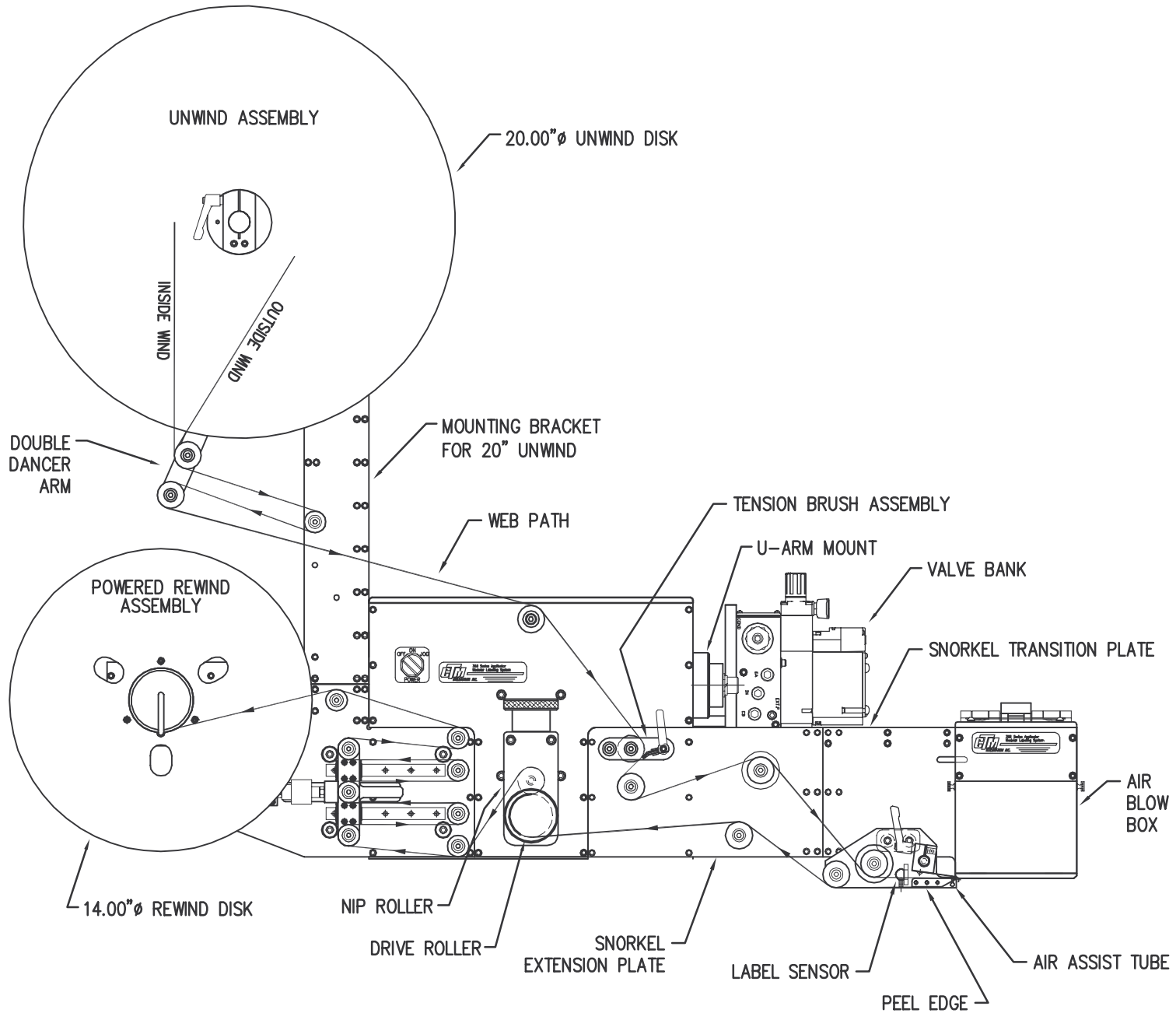
WEB PATH DIAGRAM

360 SERIES LEFT HAND 12" EXTENDED AIR BLOW BOX APPLICATOR  
WITH 20" UNWIND & POWERED REWIND



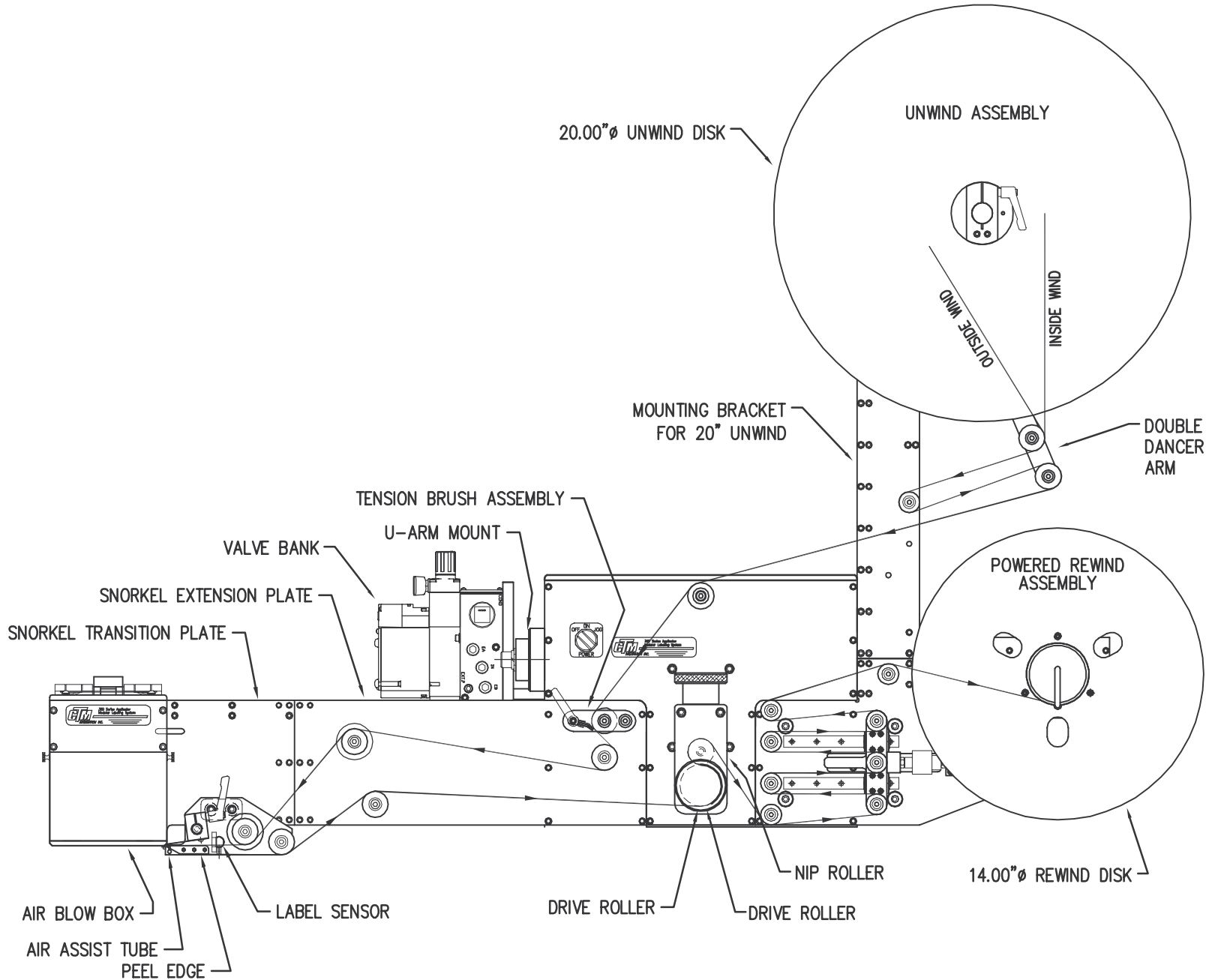
WEB PATH DIAGRAM

360 SERIES RIGHT HAND 12" EXTENDED AIR BLOW BOX APPLICATOR  
WITH 20" UNWIND & POWERED REWIND



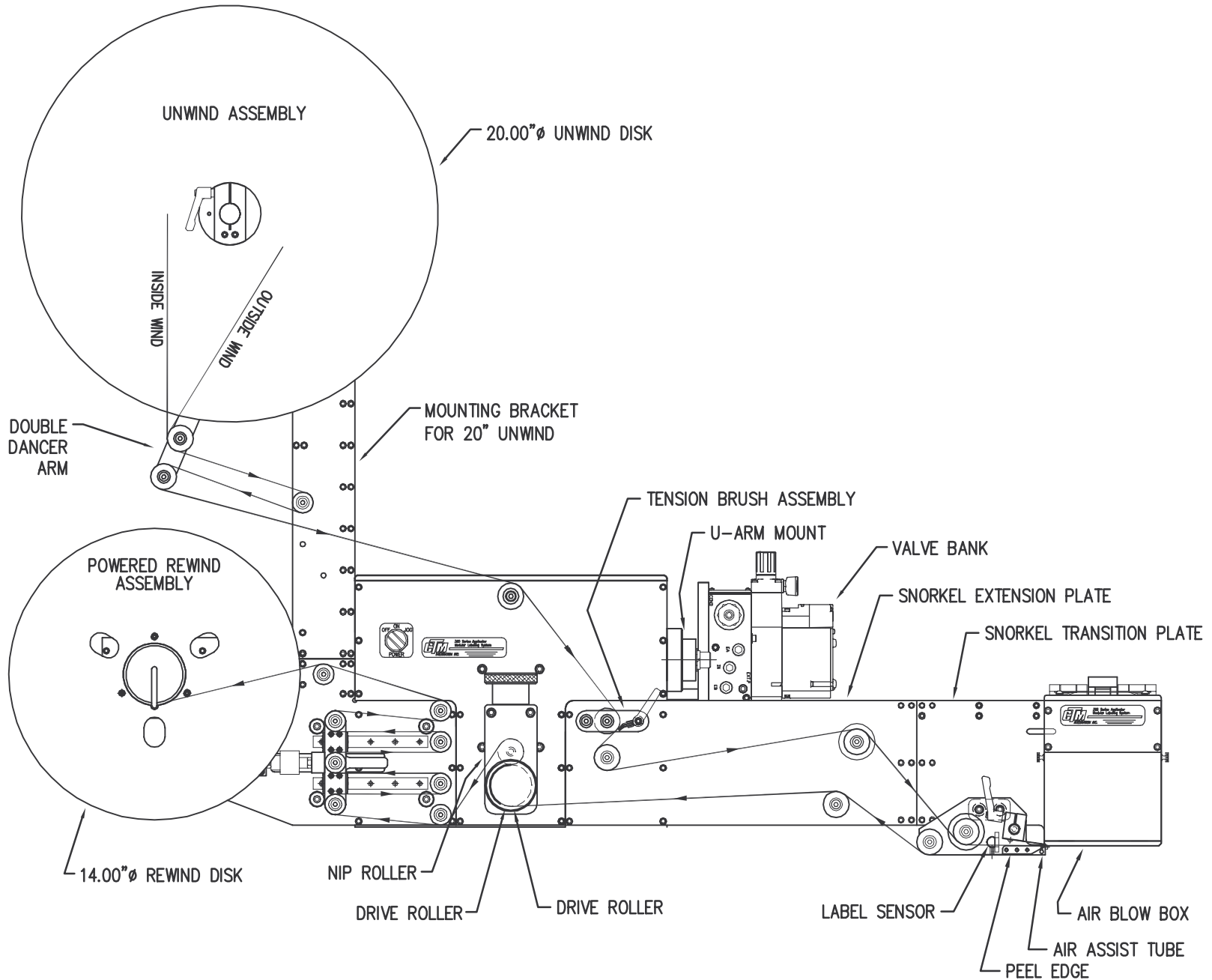
WEB PATH DIAGRAM

360 SERIES LEFT HAND 18"/24" EXTENDED AIR BLOW BOX APPLICATOR  
WITH 20" UNWIND & POWERED REWIND



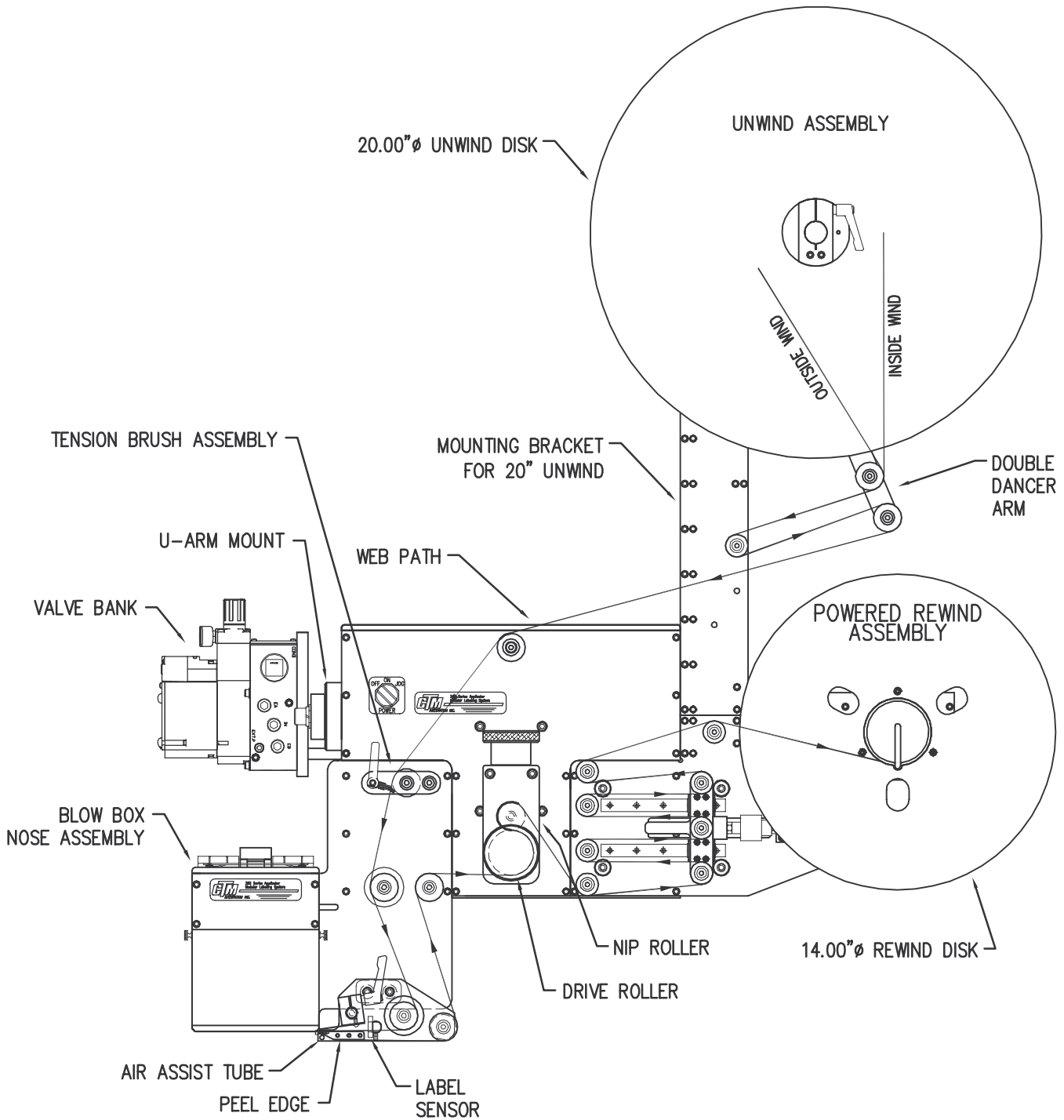
WEB PATH DIAGRAM

360 SERIES RIGHT HAND 18"/24" EXTENDED AIR BLOW BOX APPLICATOR  
WITH 20" UNWIND & POWERED REWIND



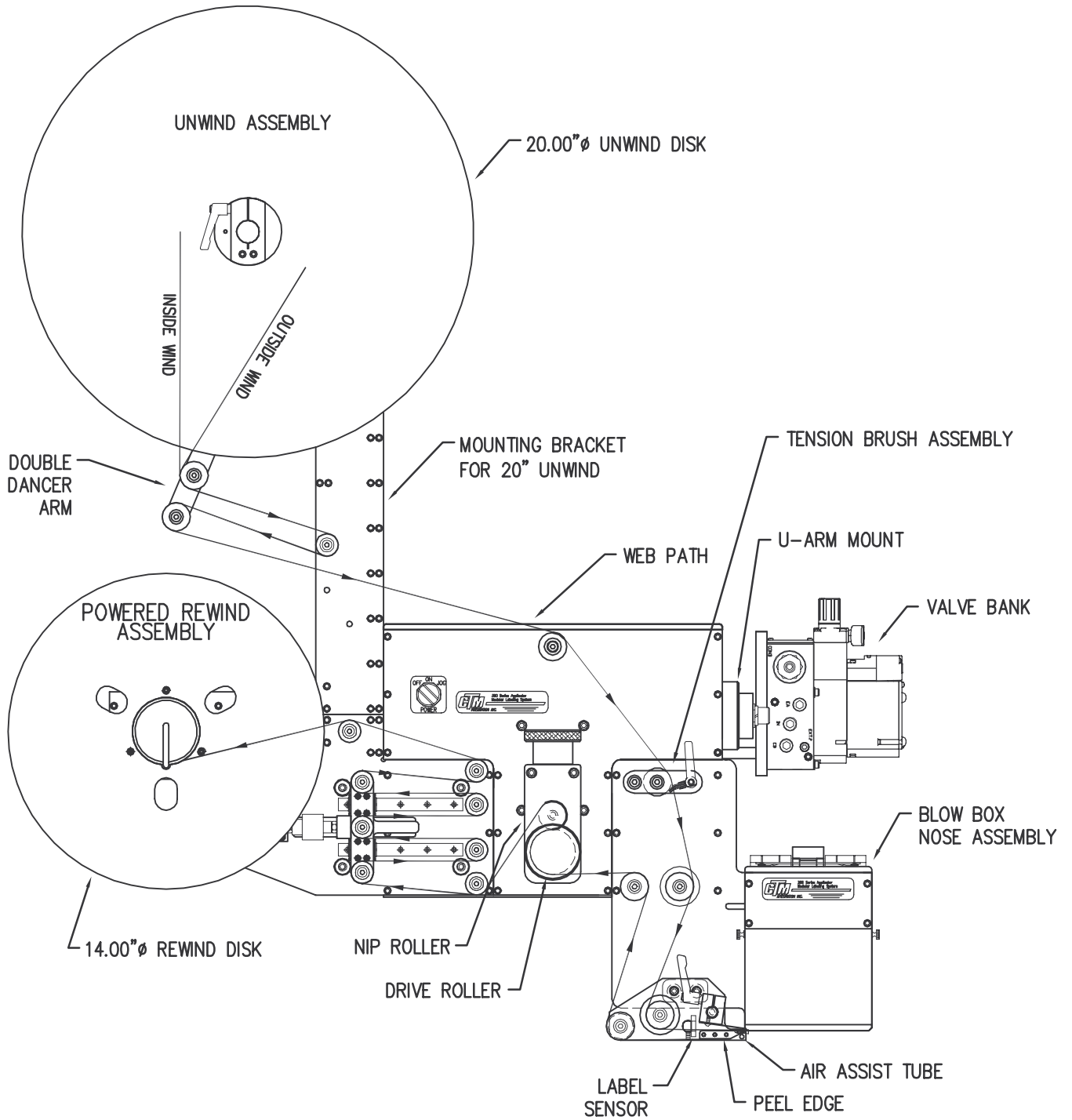
WEB PATH DIAGRAM

360 SERIES LEFT HAND 6" DROP DOWN AIR BLOW BOX APPLICATOR  
WITH 20" UNWIND & POWERED REWIND



WEB PATH DIAGRAM

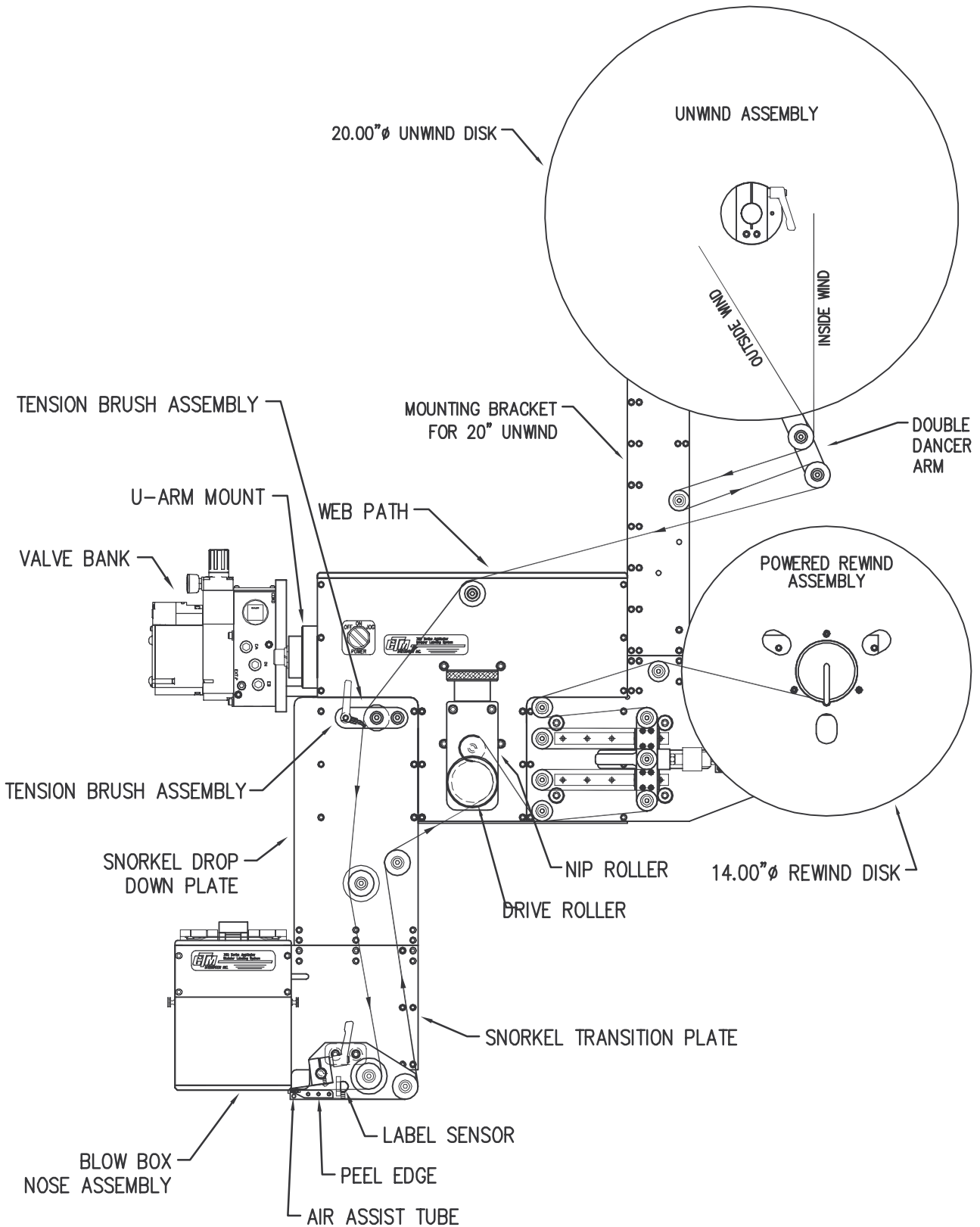
360 SERIES RIGHT HAND 6" DROP DOWN AIR BLOW BOX APPLICATOR  
WITH 20" UNWIND & POWERED REWIND





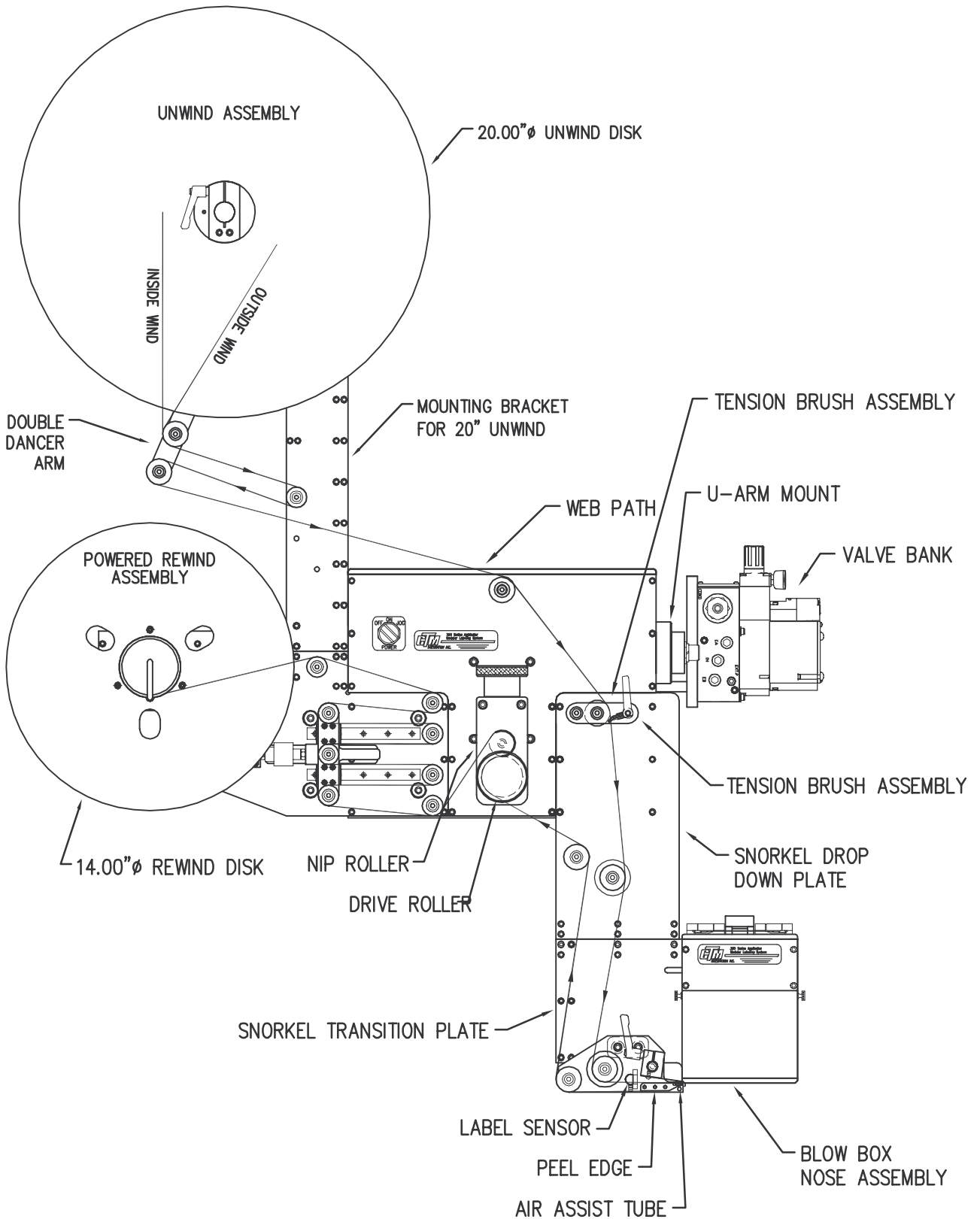
WEB PATH DIAGRAM

360 SERIES LEFT HAND 12" DROP DOWN AIR BLOW BOX APPLICATOR  
WITH 20" UNWIND & POWERED REWIND



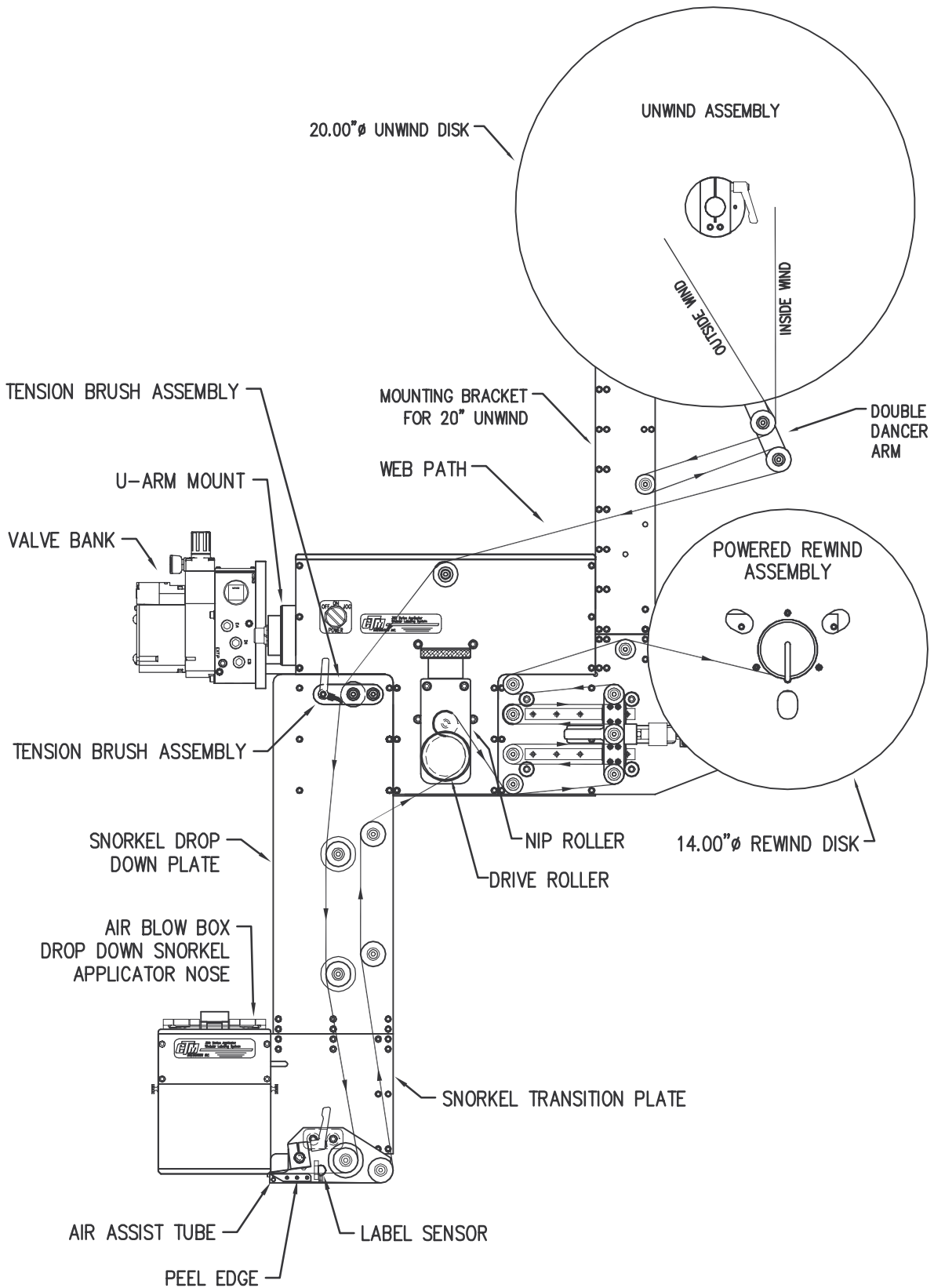
WEB PATH DIAGRAM

360 SERIES RIGHT HAND 12" DROP DOWN AIR BLOW BOX APPLICATOR  
WITH 20" UNWIND & POWERED REWIND



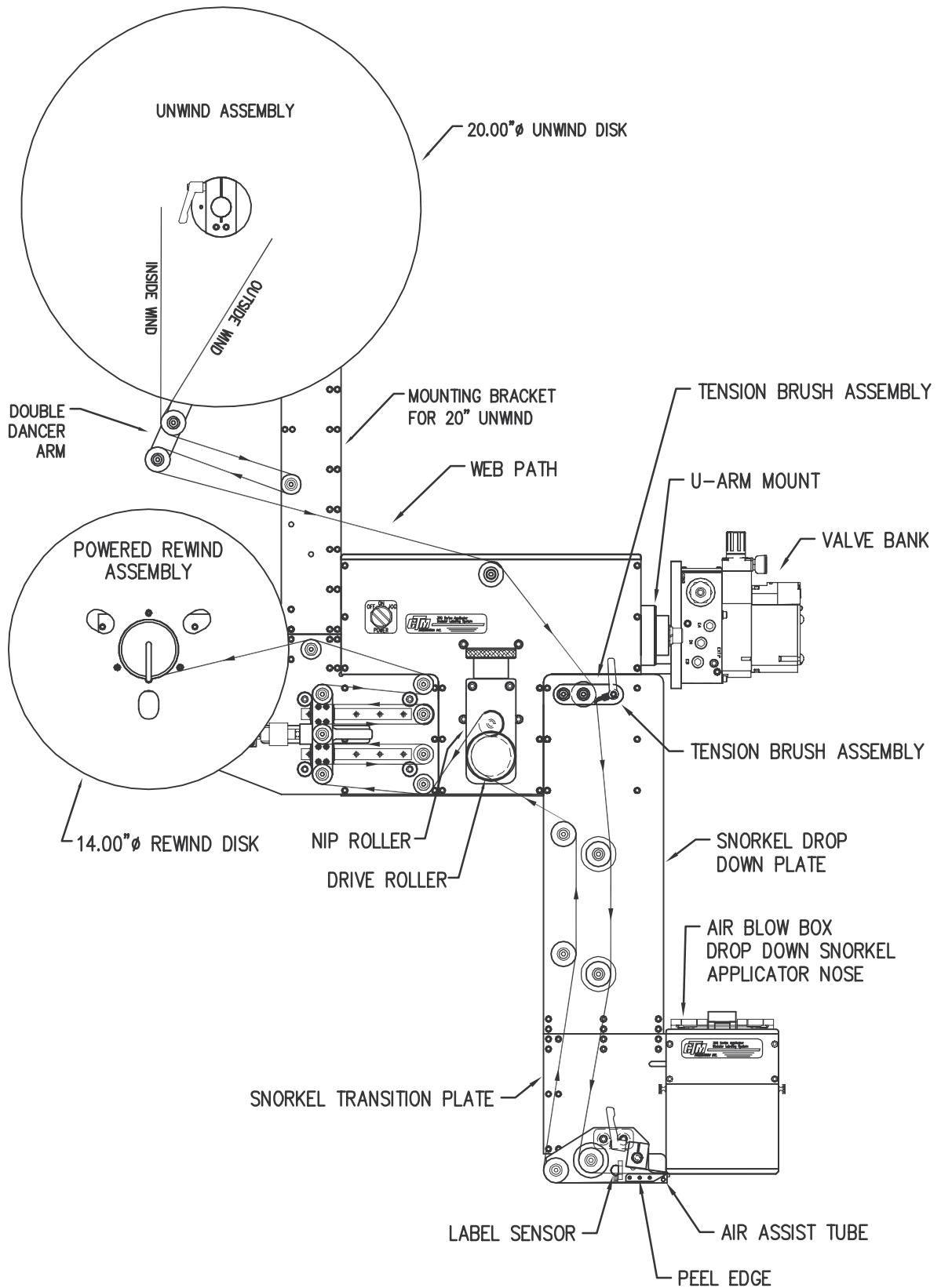
WEB PATH DIAGRAM

360 SERIES LEFT HAND 18"/24" DROP DOWN AIR BLOW BOX APPLICATOR  
WITH 20" UNWIND & POWERED REWIND

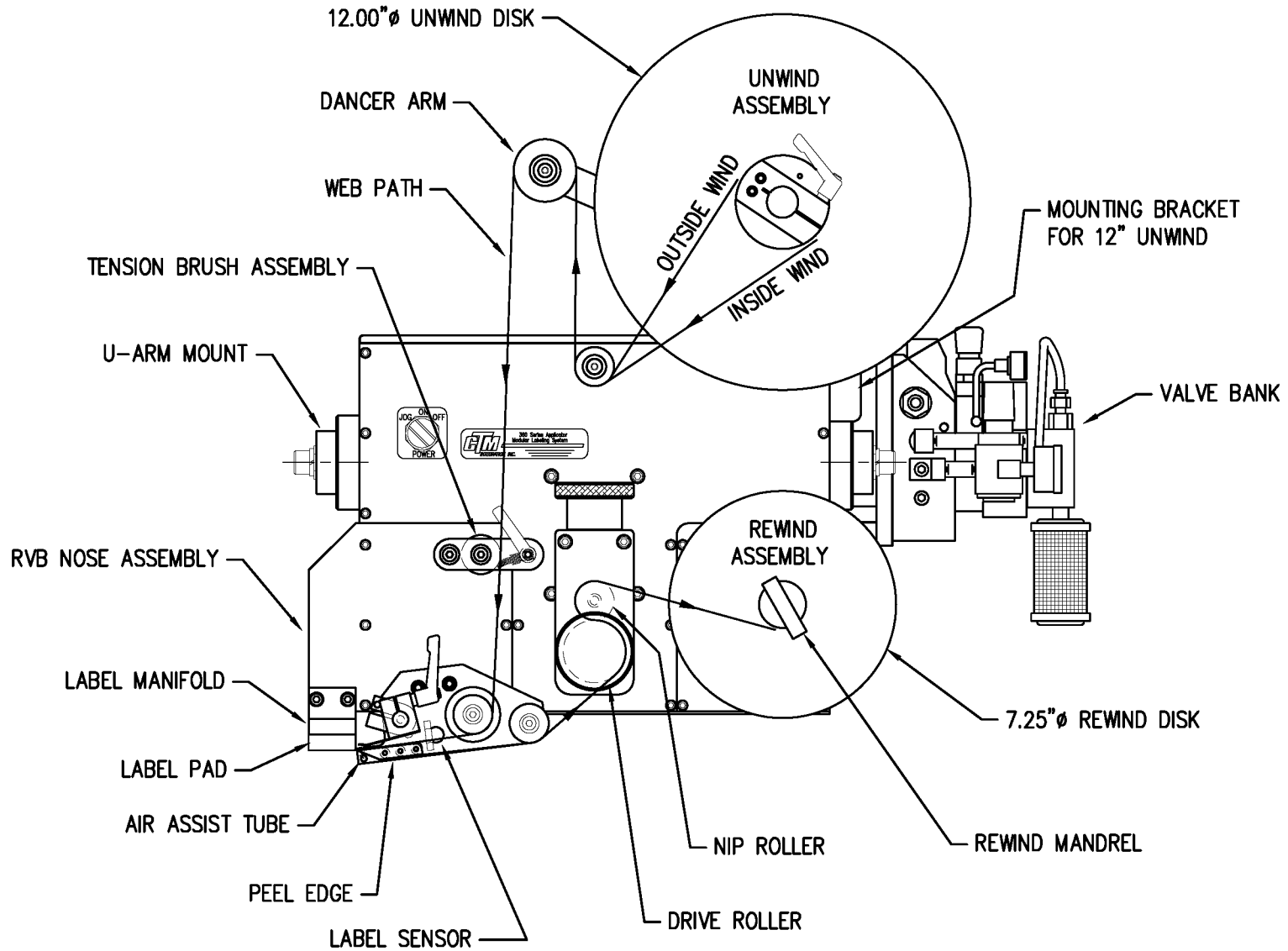


# WEB PATH DIAGRAM

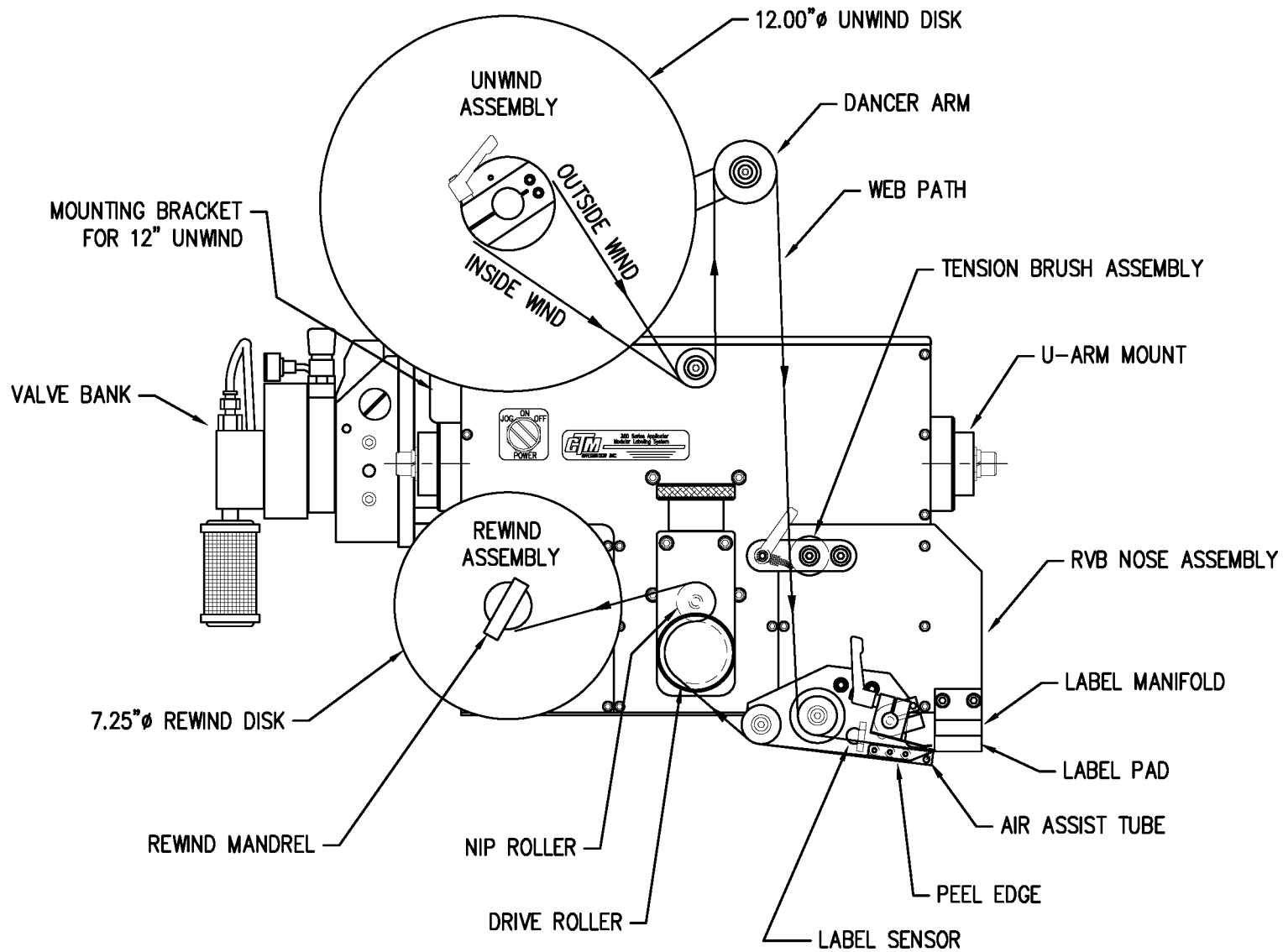
360 SERIES RIGHT HAND 18"/24" DROP DOWN AIR BLOW BOX APPLICATOR  
WITH 20" UNWIND & POWERED REWIND



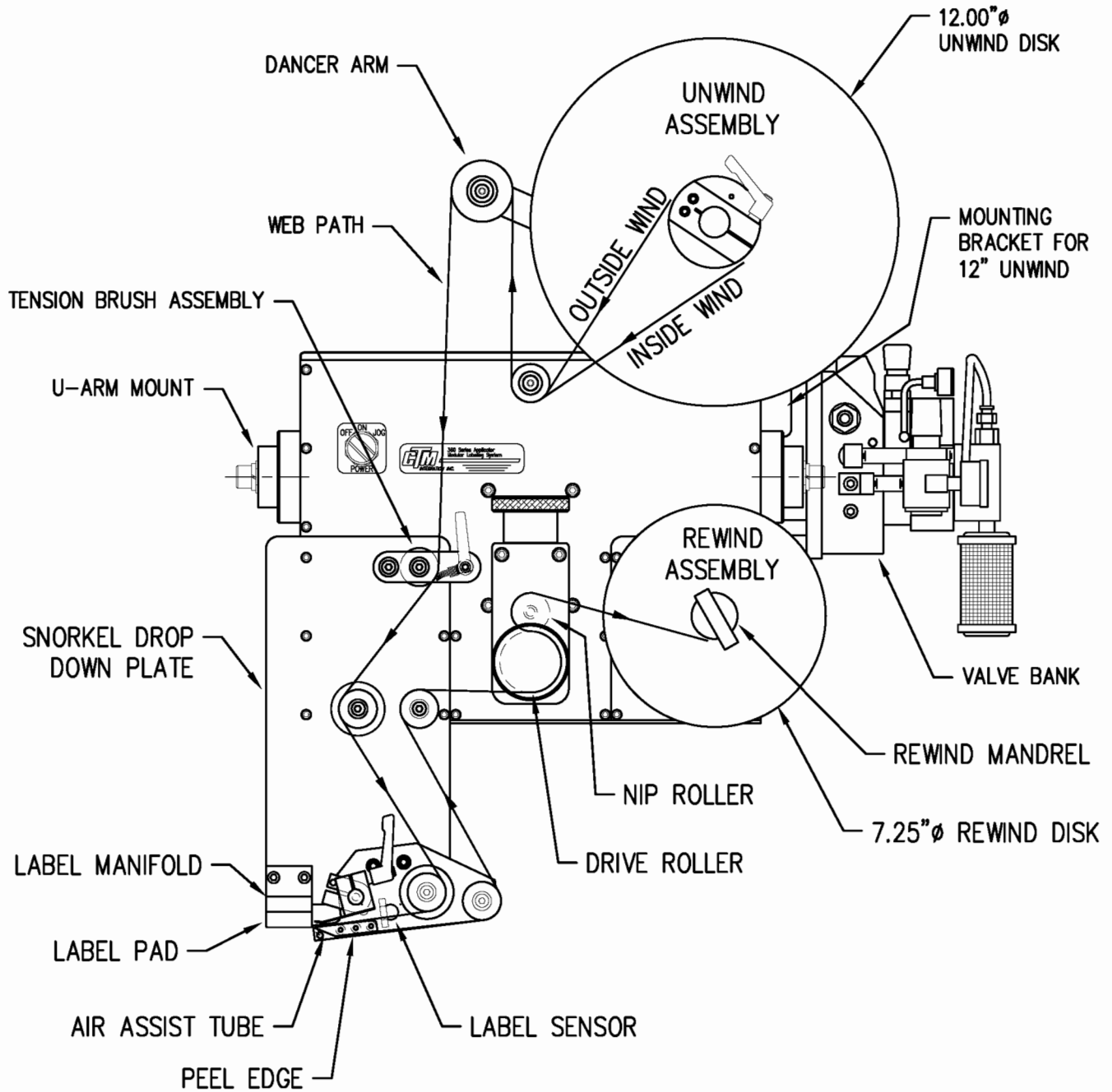
WEB PATH DIAGRAM  
360 SERIES LEFT HAND RVB APPLICATOR  
WITH 12" UNWIND



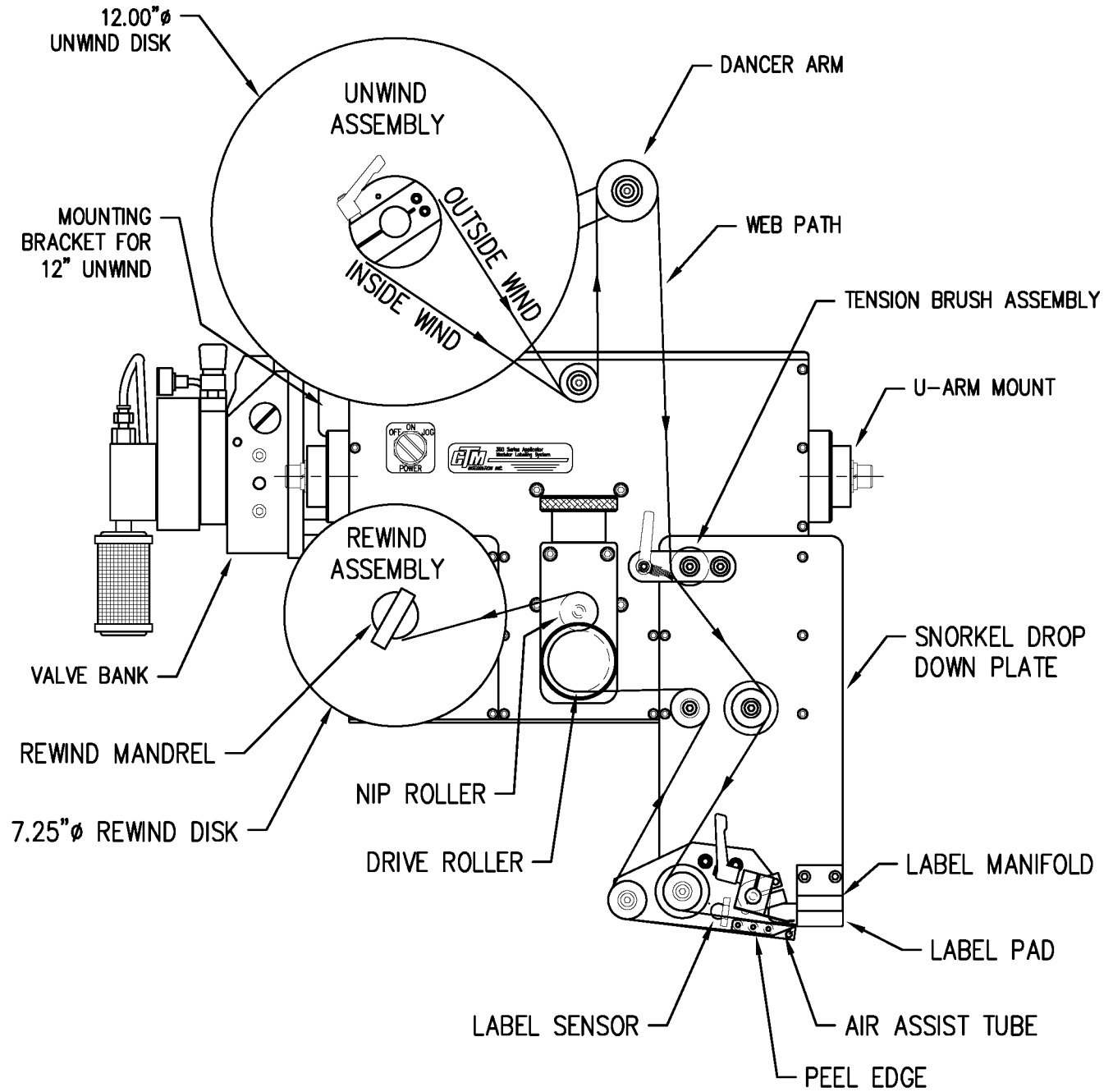
WEB PATH DIAGRAM  
360 SERIES RIGHT HAND RVB APPLICATOR  
WITH 12" UNWIND



WEB PATH DIAGRAM  
360 SERIES LEFT HAND 6" DROP DOWN RVB APPLICATOR  
WITH 12" UNWIND

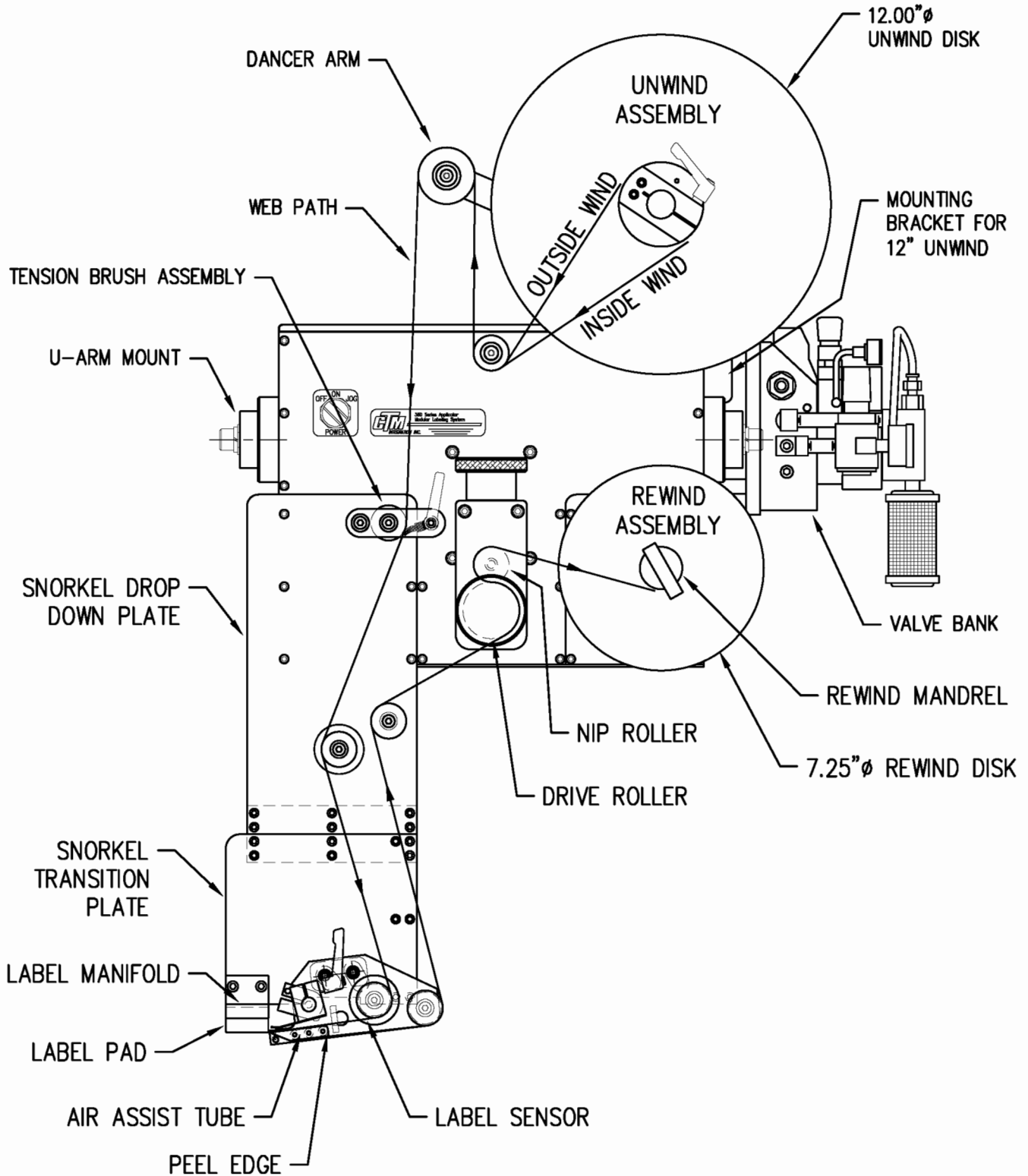


**WEB PATH DIAGRAM**  
**360 SERIES RIGHT HAND 6" DROP DOWN RVB APPLICATOR**  
**WITH 12" UNWIND**

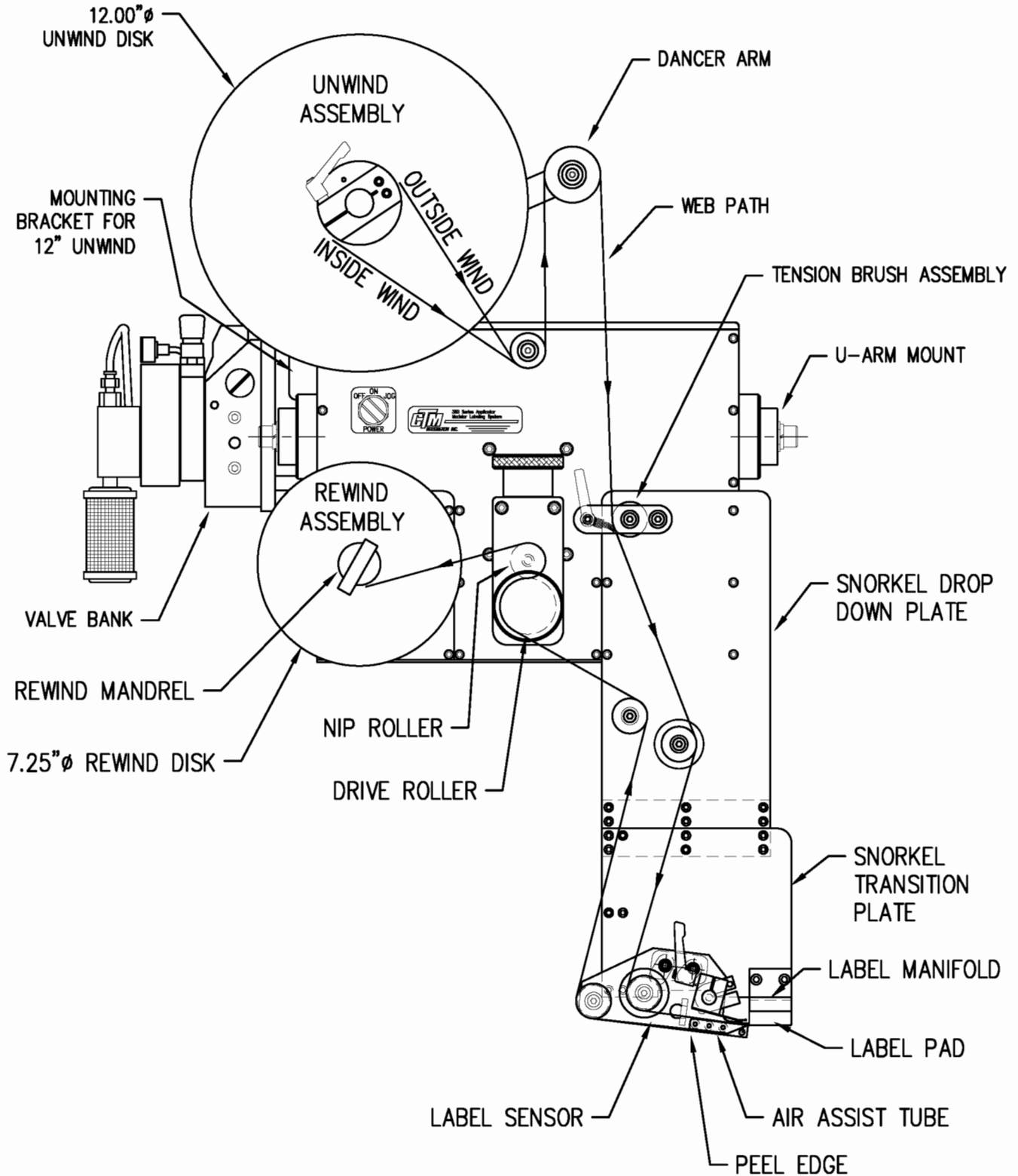




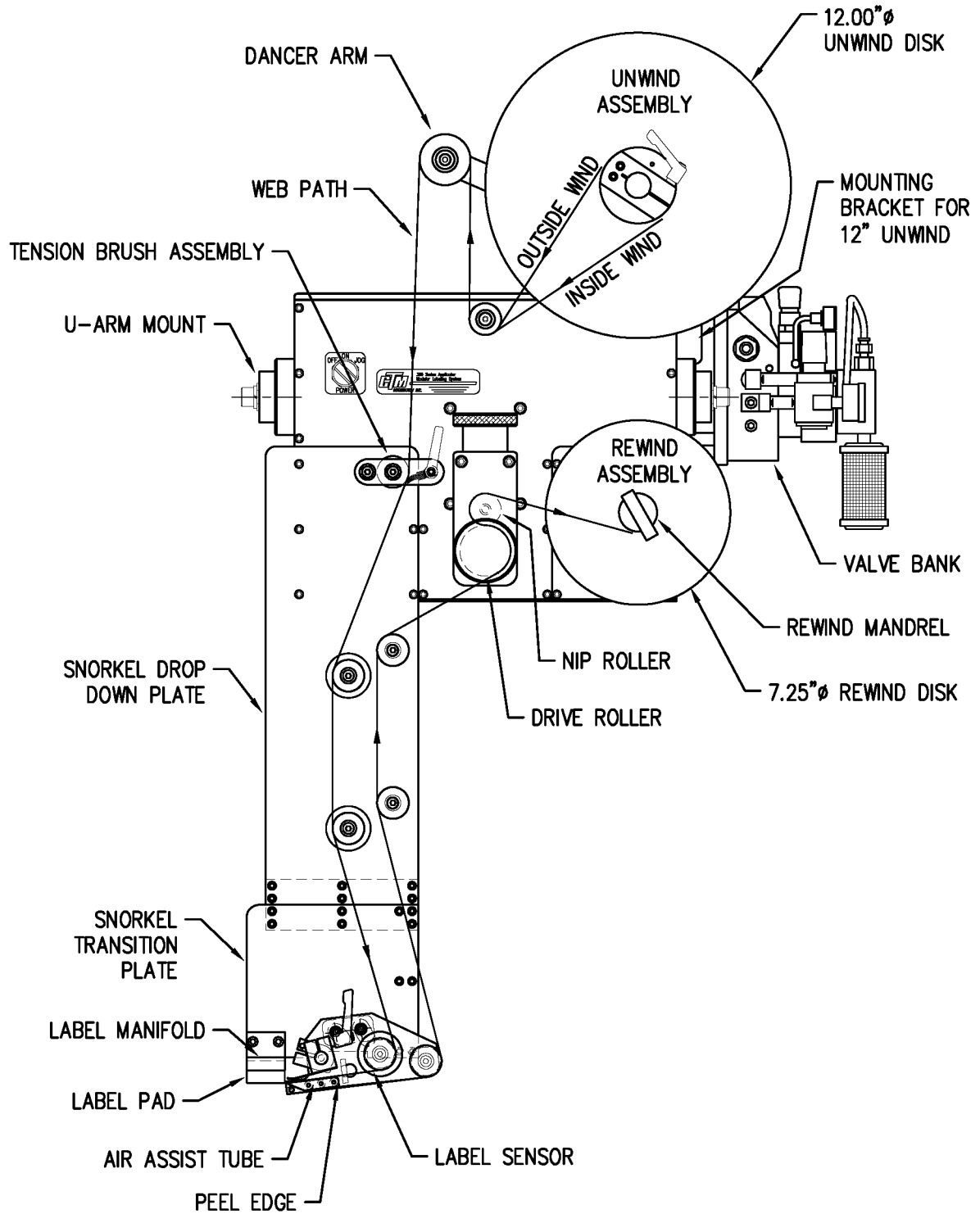
WEB PATH DIAGRAM  
360 SERIES LEFT HAND 12" DROP DOWN RVB APPLICATOR  
WITH 12" UNWIND



**WEB PATH DIAGRAM**  
**360 SERIES RIGHT HAND 12" DROP DOWN RVB APPLICATOR**  
**WITH 12" UNWIND**

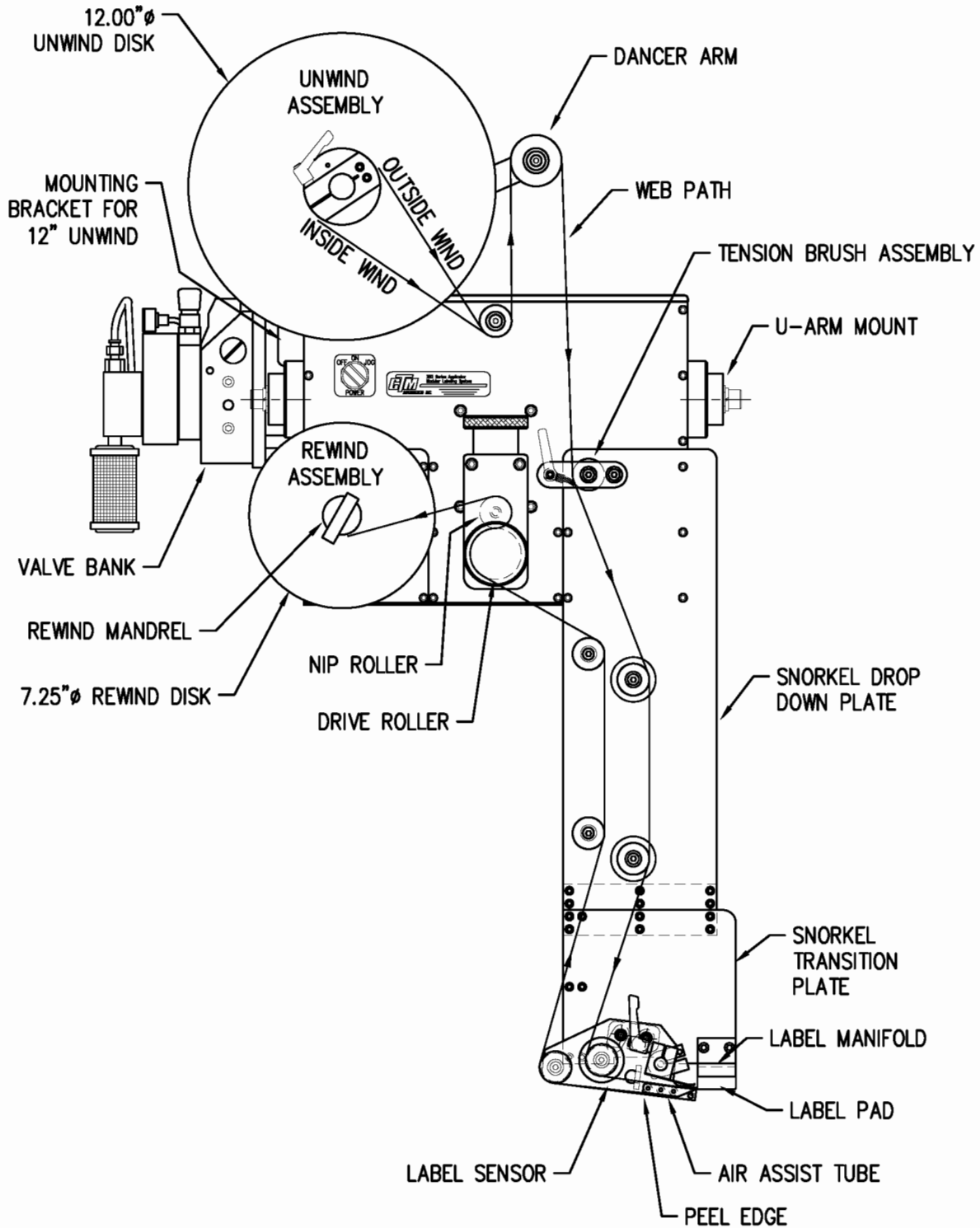


WEB PATH DIAGRAM  
 360 SERIES LEFT HAND 18"/24" DROP DOWN RVB APPLICATOR  
 WITH 12" UNWIND



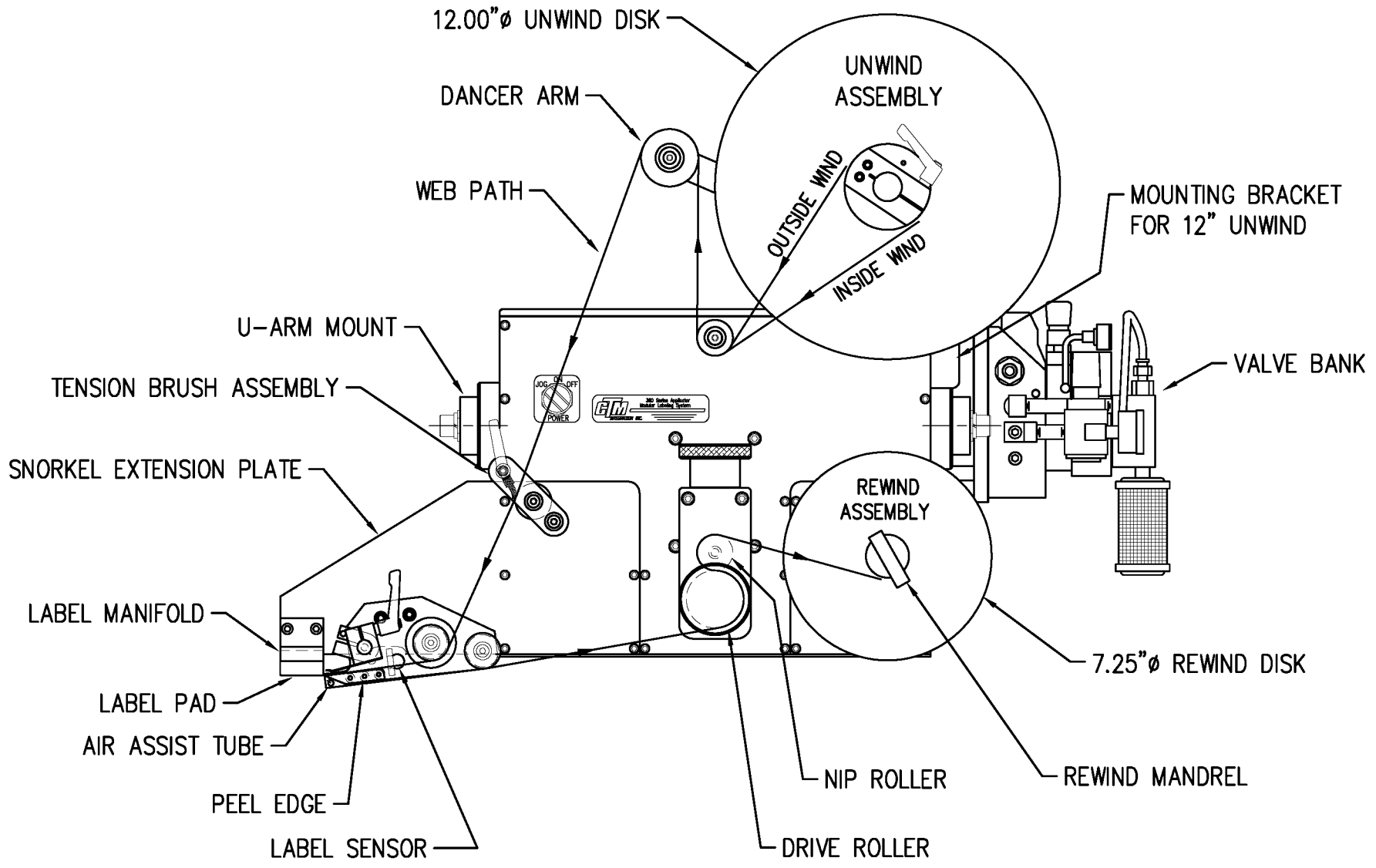
NOTE: 18" SNORKEL SHOWN

**WEB PATH DIAGRAM**  
**360 SERIES RIGHT HAND 18"/24" DROP DOWN RVB APPLICATOR**  
**WITH 12" UNWIND**

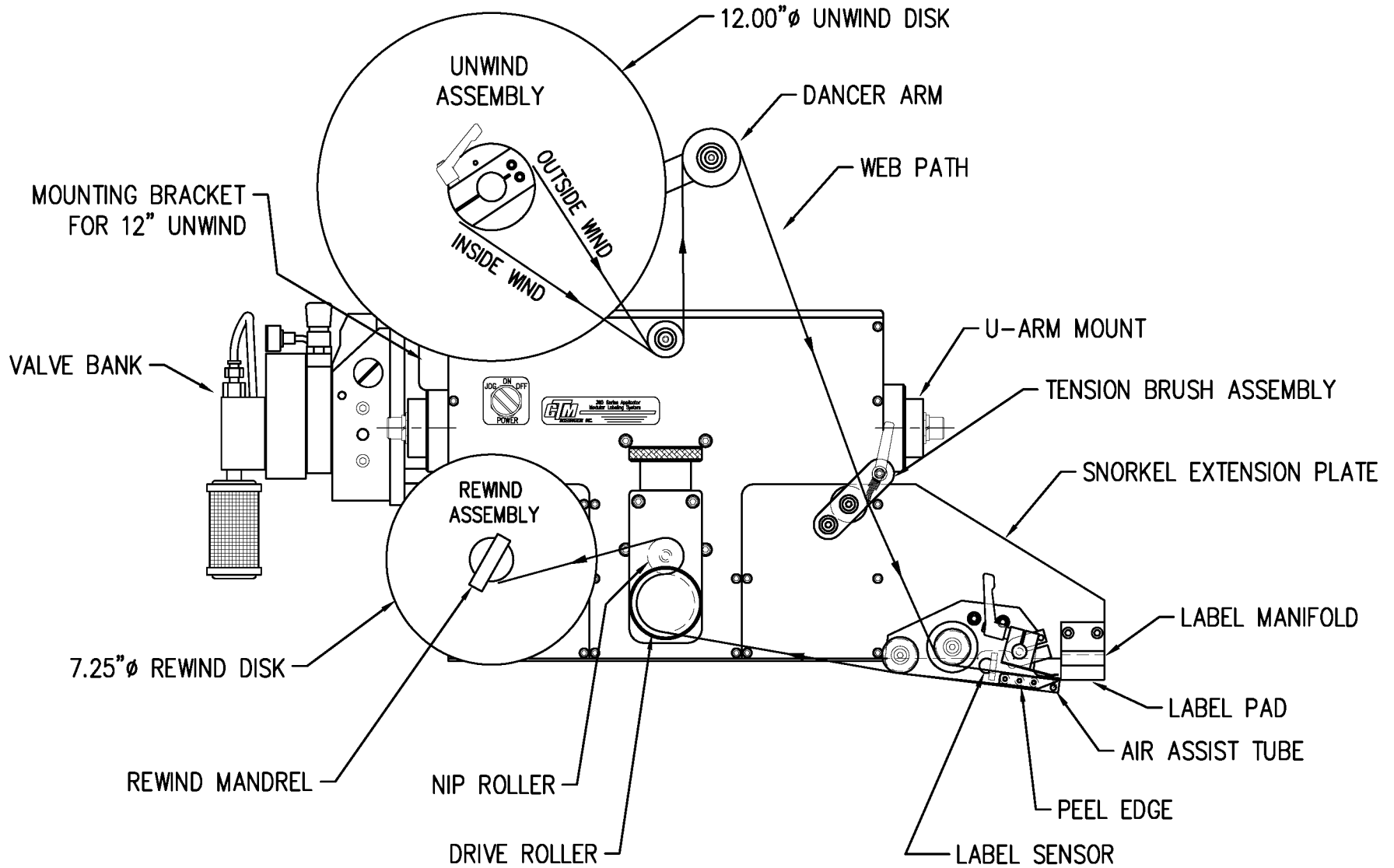


**NOTE: 18" SNORKEL SHOWN**

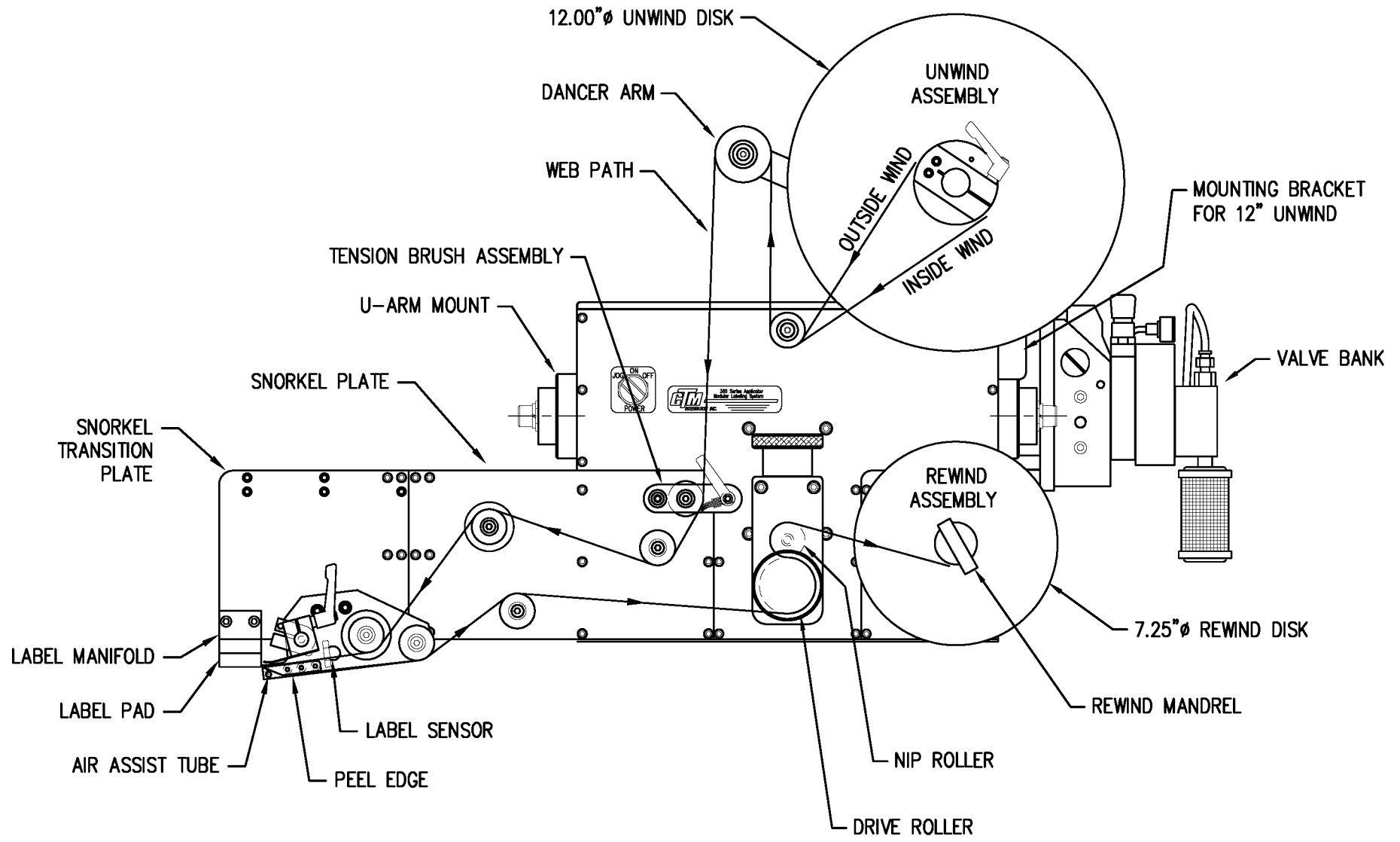
WEB PATH DIAGRAM  
 360 SERIES LEFT HAND 6" EXTENDED RVB APPLICATOR  
 WITH 12" UNWIND



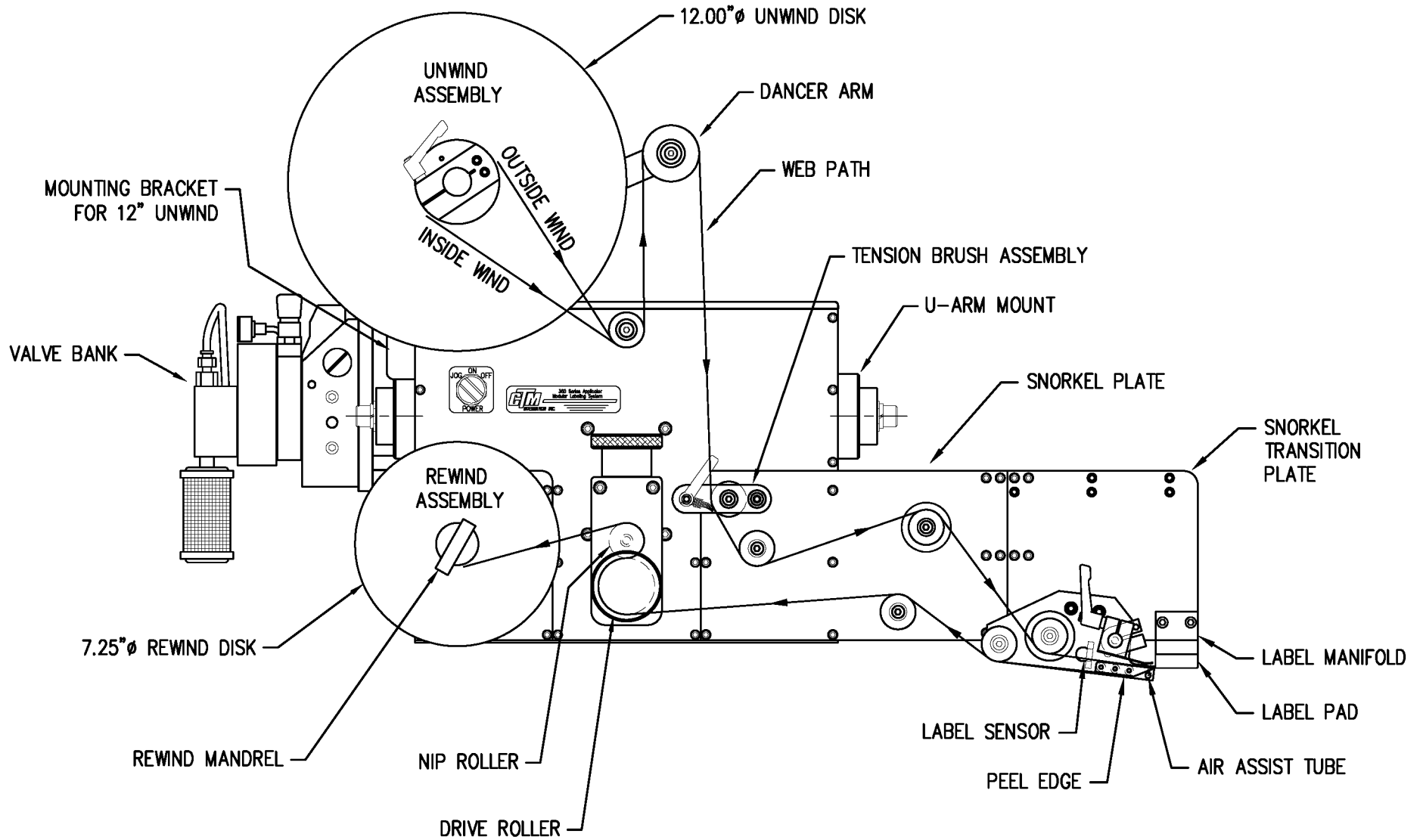
WEB PATH DIAGRAM  
360 SERIES RIGHT HAND 6" EXTENDED RVB APPLICATOR  
WITH 12" UNWIND



WEB PATH DIAGRAM  
360 SERIES LEFT HAND 12" EXTENDED RVB APPLICATOR  
WITH 12" UNWIND

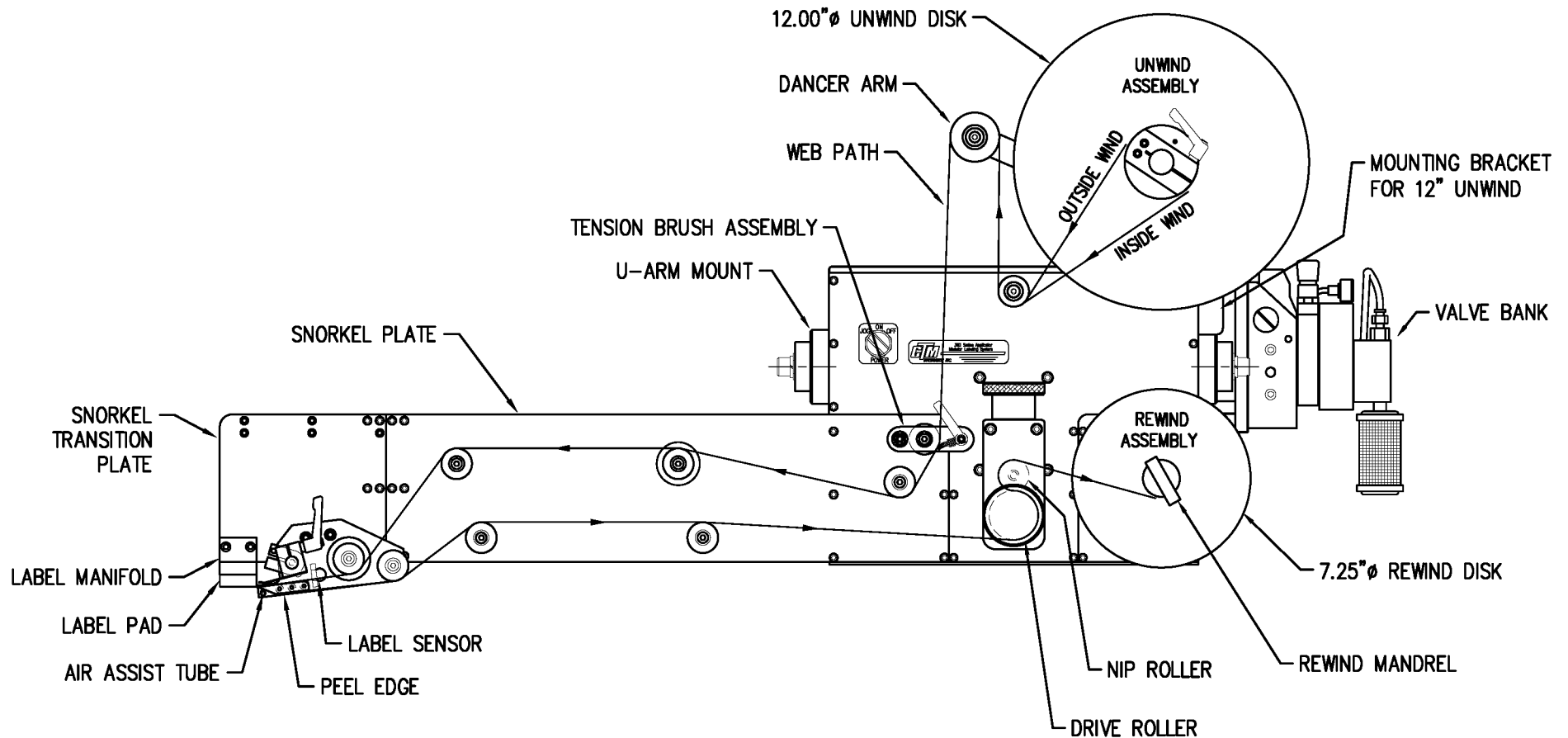


WEB PATH DIAGRAM  
360 SERIES RIGHT HAND 12" EXTENDED RVB APPLICATOR  
WITH 12" UNWIND



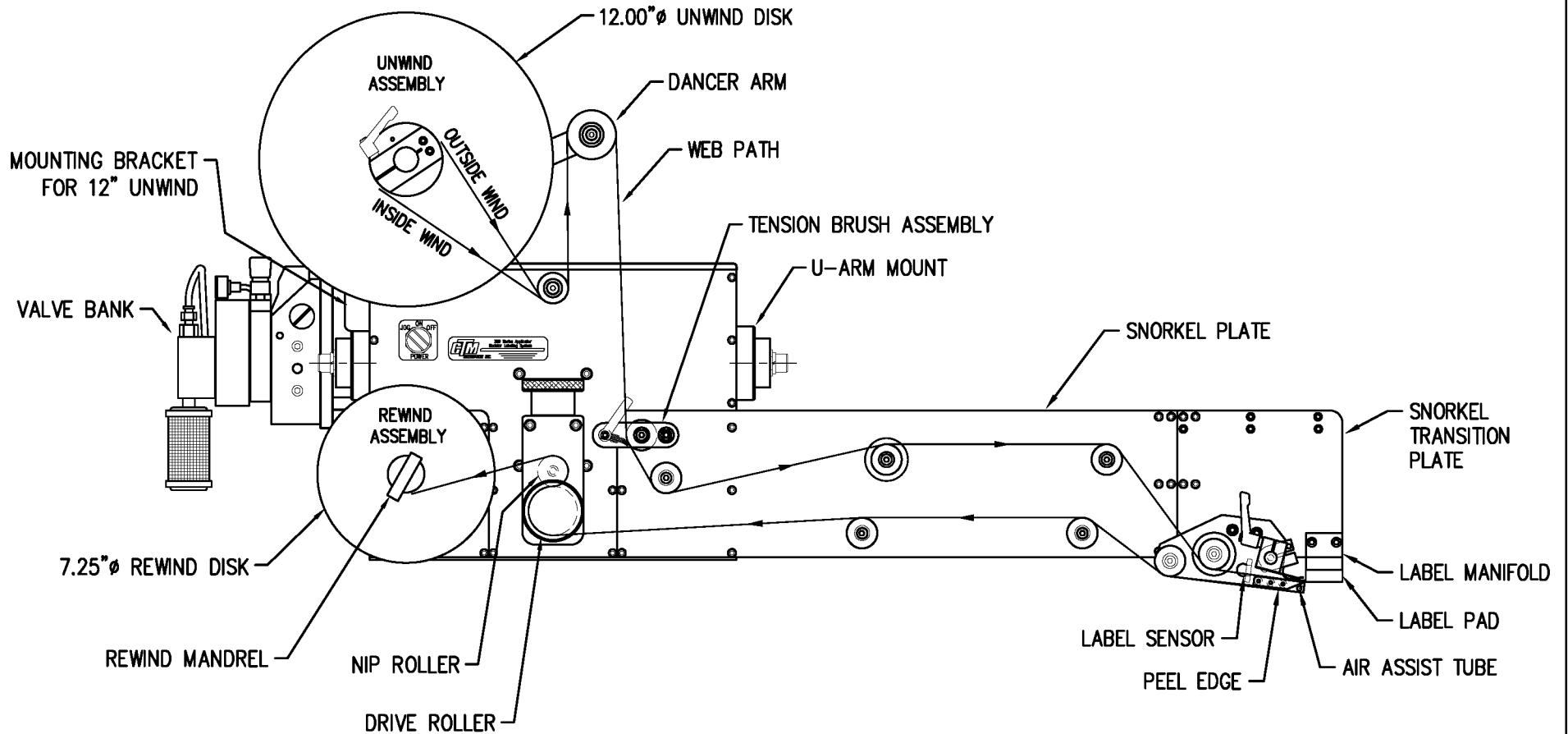


WEB PATH DIAGRAM  
360 SERIES LEFT HAND 18"/24" EXTENDED RVB APPLICATOR  
WITH 12" UNWIND



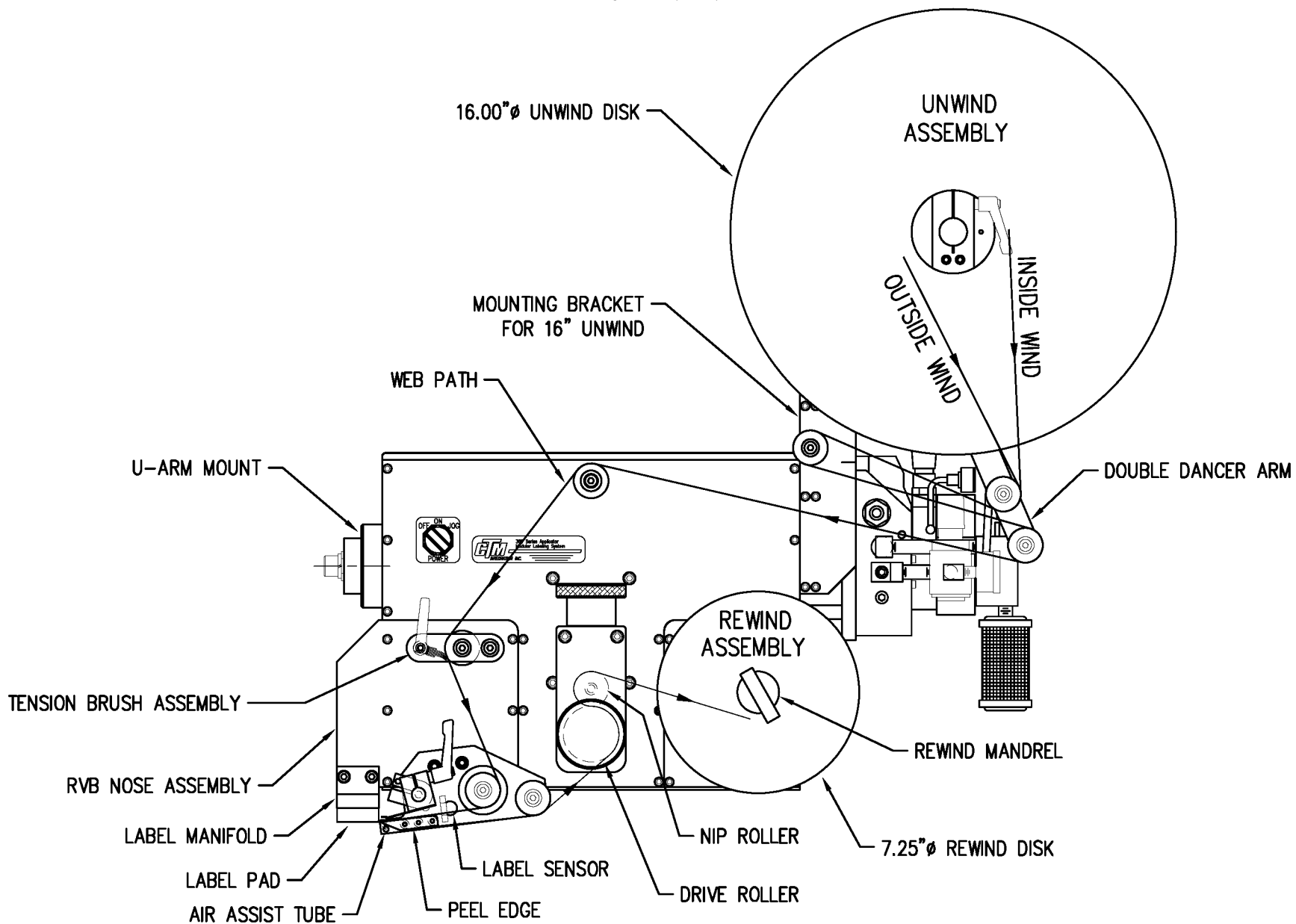
NOTE: 18" SNORKEL SHOWN

WEB PATH DIAGRAM  
360 SERIES RIGHT HAND 18"/24" EXTENDED RVB APPLICATOR  
WITH 12" UNWIND

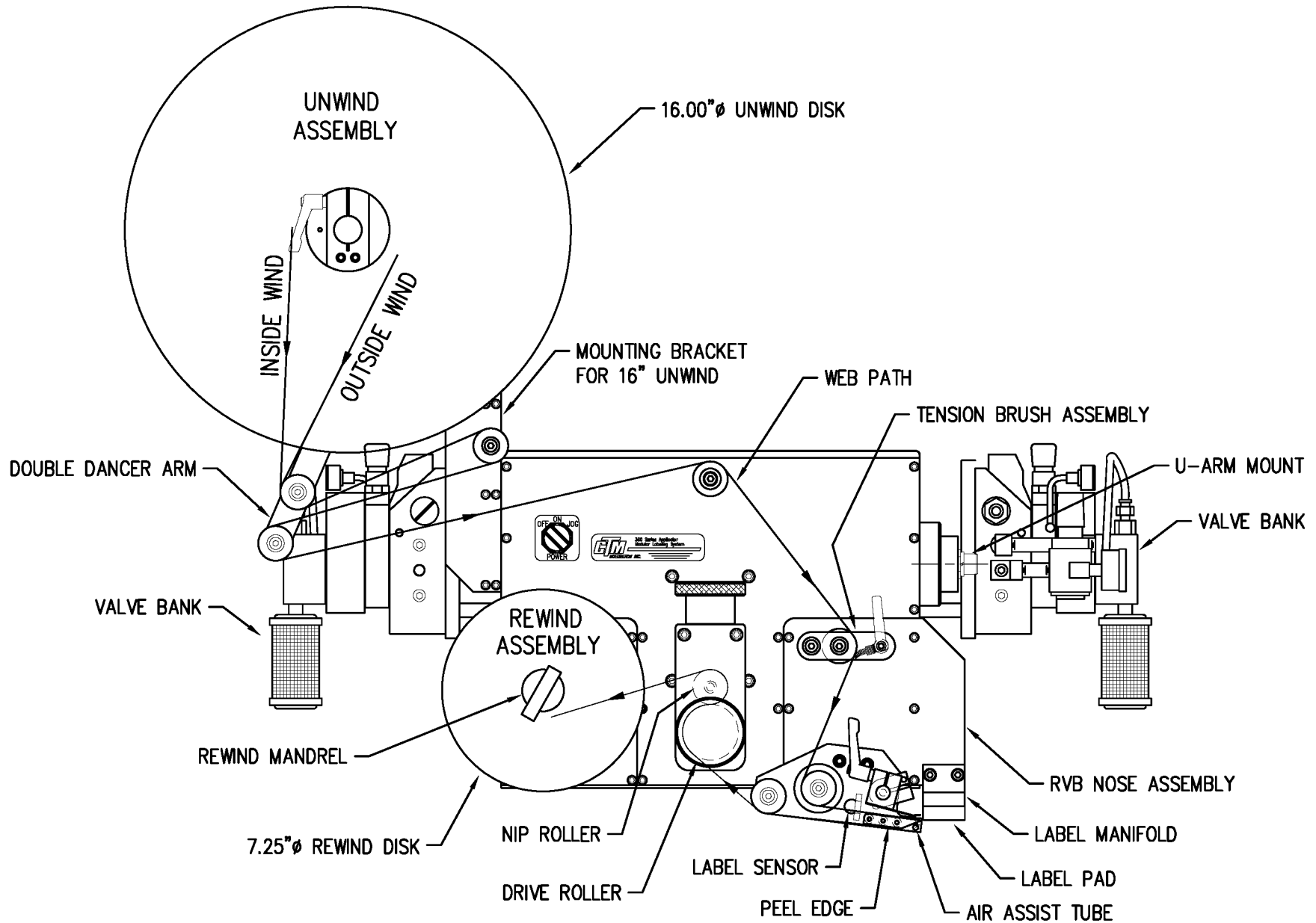


NOTE: 18" SNORKEL SHOWN

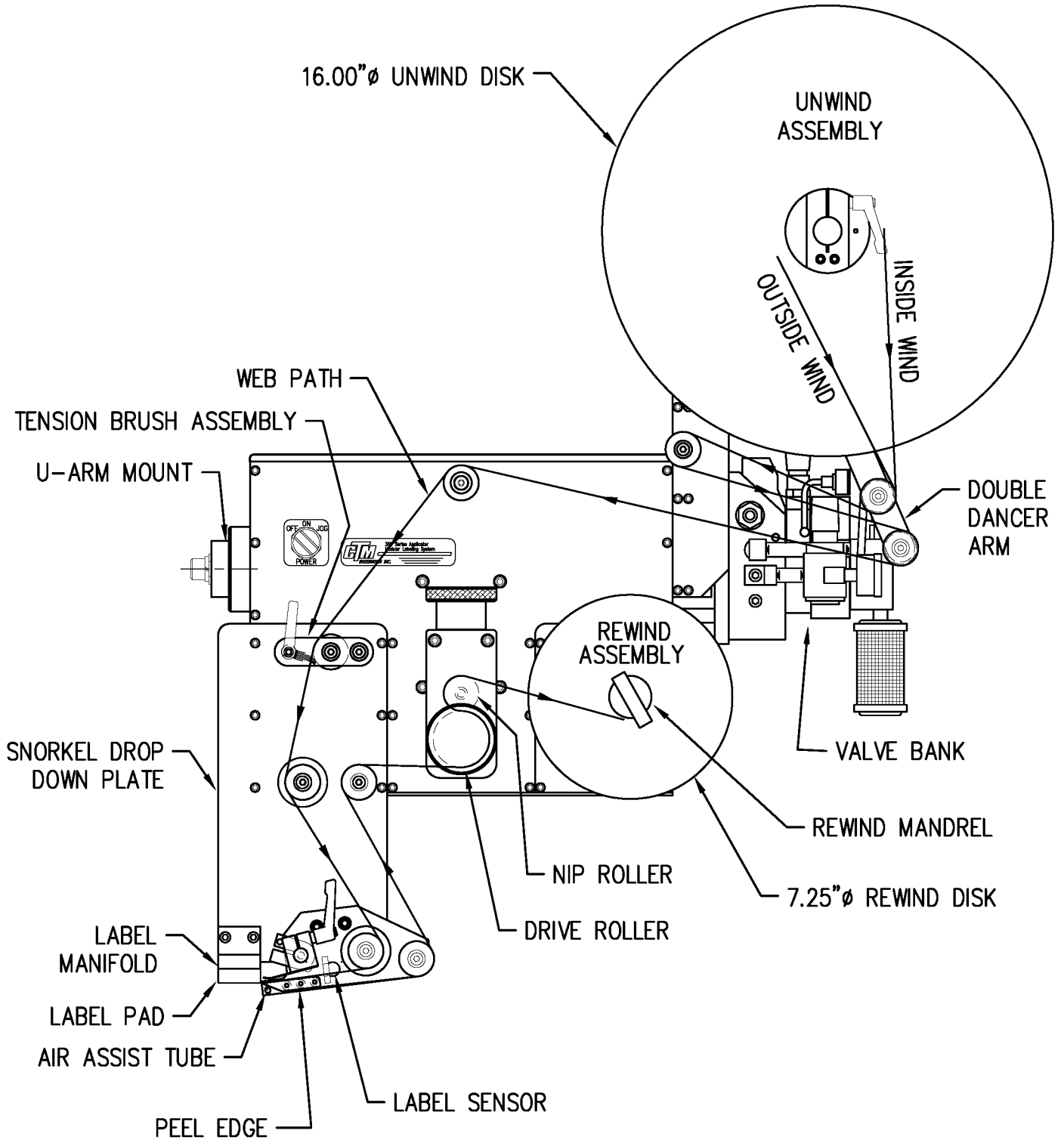
WEB PATH DIAGRAM  
360 SERIES LEFT HAND RVB APPLICATOR  
WITH 16" UNWIND



WEB PATH DIAGRAM  
360 SERIES RIGHT HAND RVB APPLICATOR  
WITH 16" UNWIND

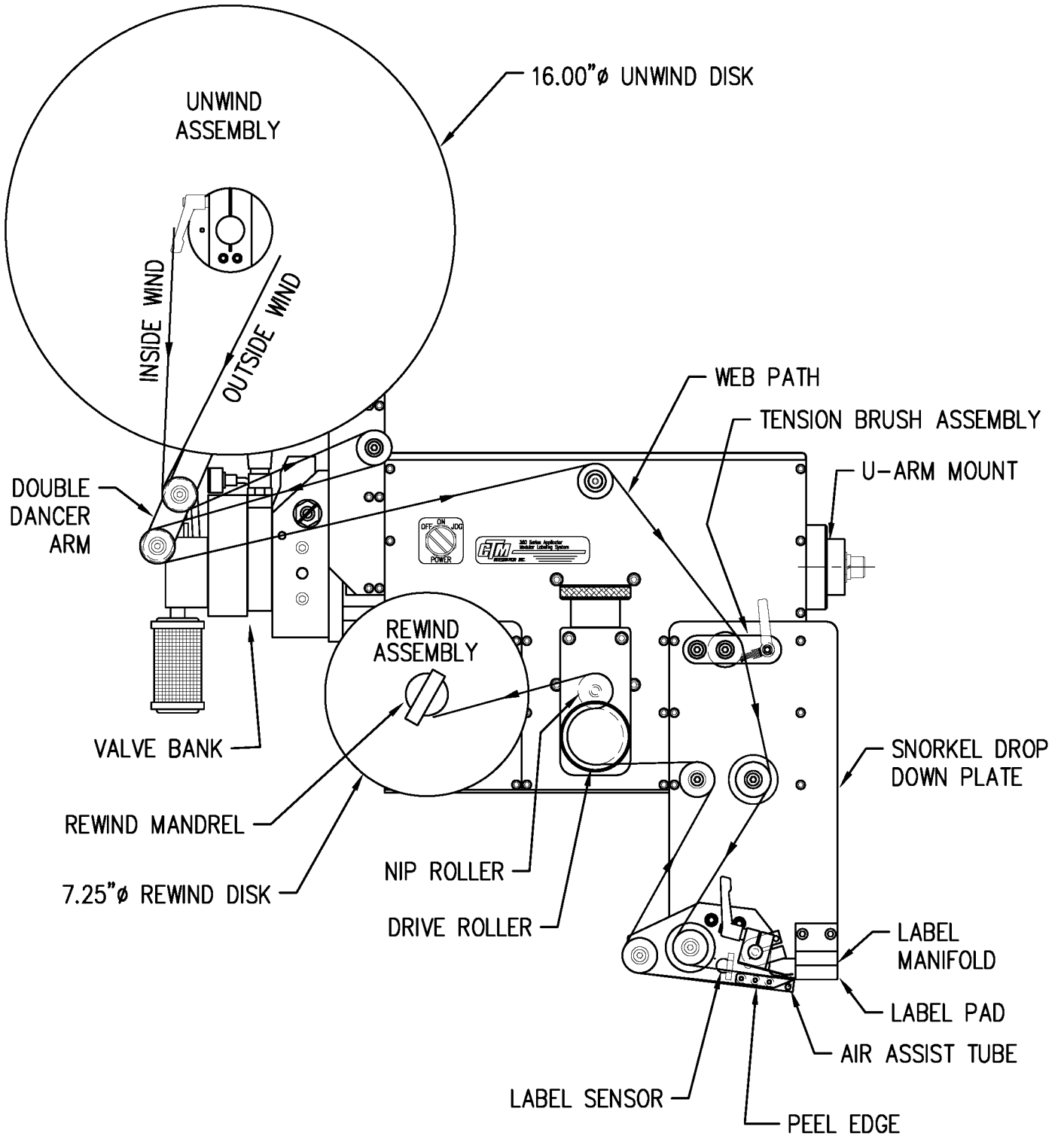


WEB PATH DIAGRAM  
360 SERIES LEFT HAND 6" DROP DOWN RVB APPLICATOR  
WITH 16" UNWIND

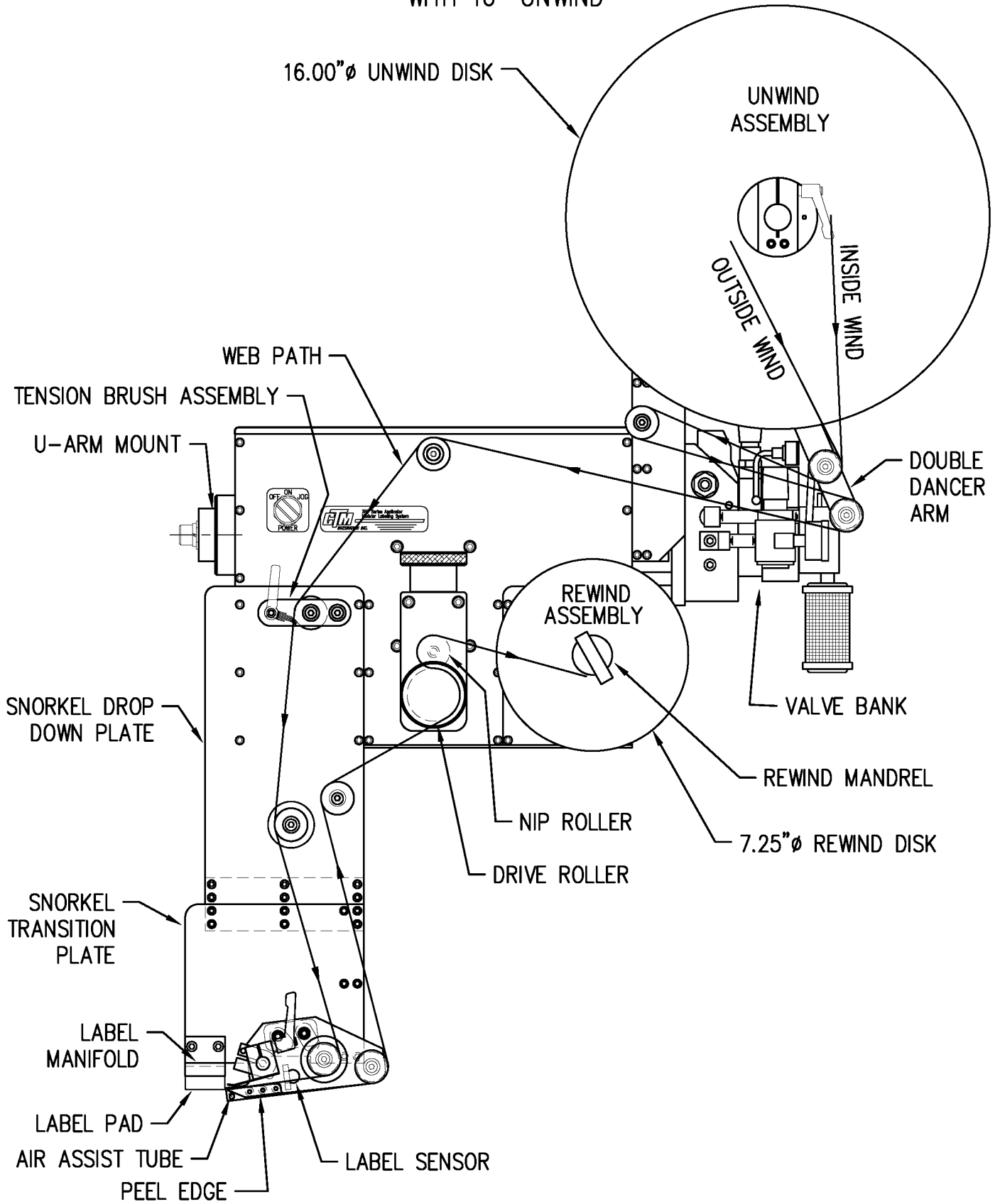


WEB PATH DIAGRAM

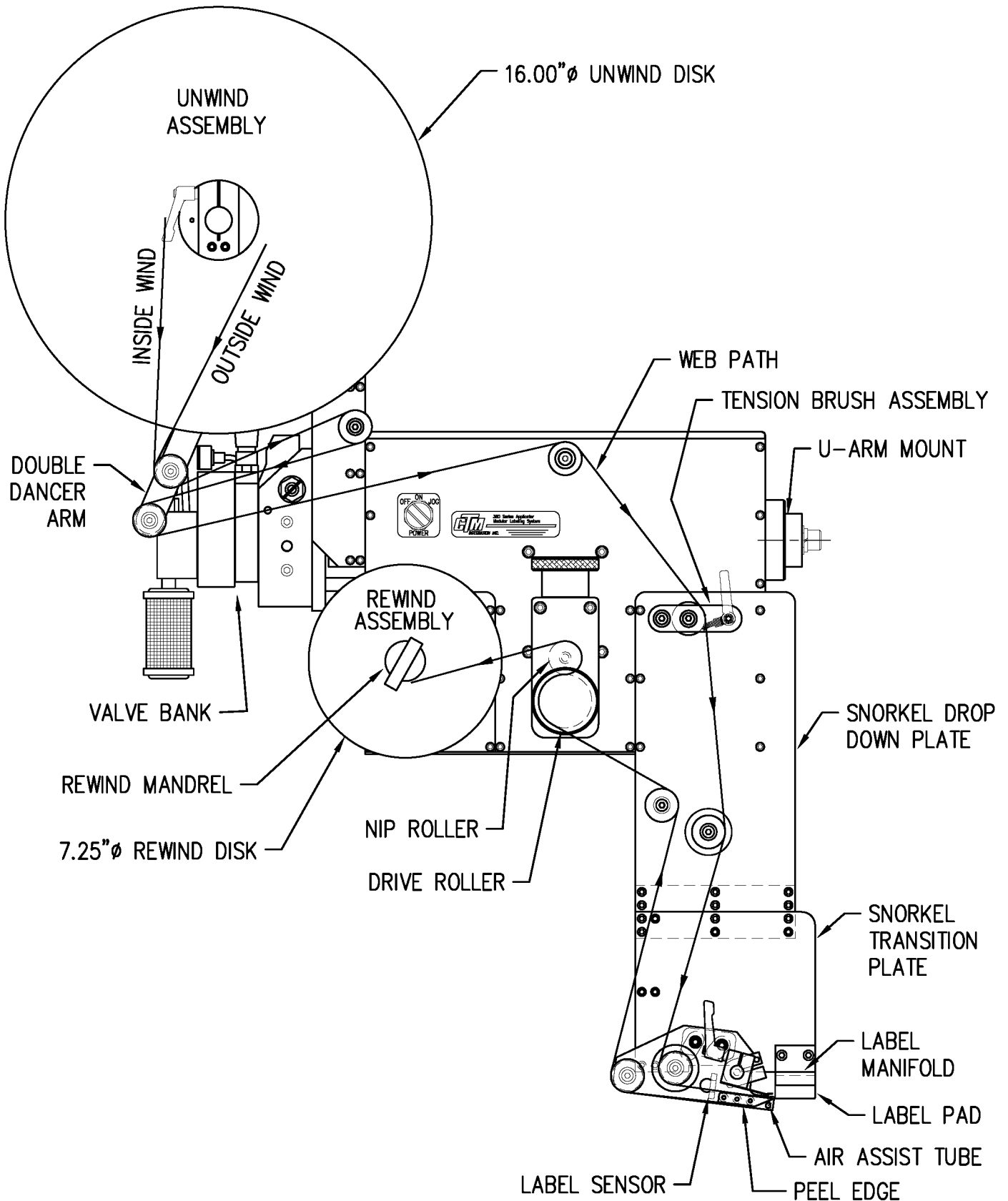
360 SERIES RIGHT HAND 6" DROP DOWN RVB APPLICATOR  
WITH 16" UNWIND



WEB PATH DIAGRAM  
360 SERIES LEFT HAND 12" DROP DOWN RVB APPLICATOR  
WITH 16" UNWIND

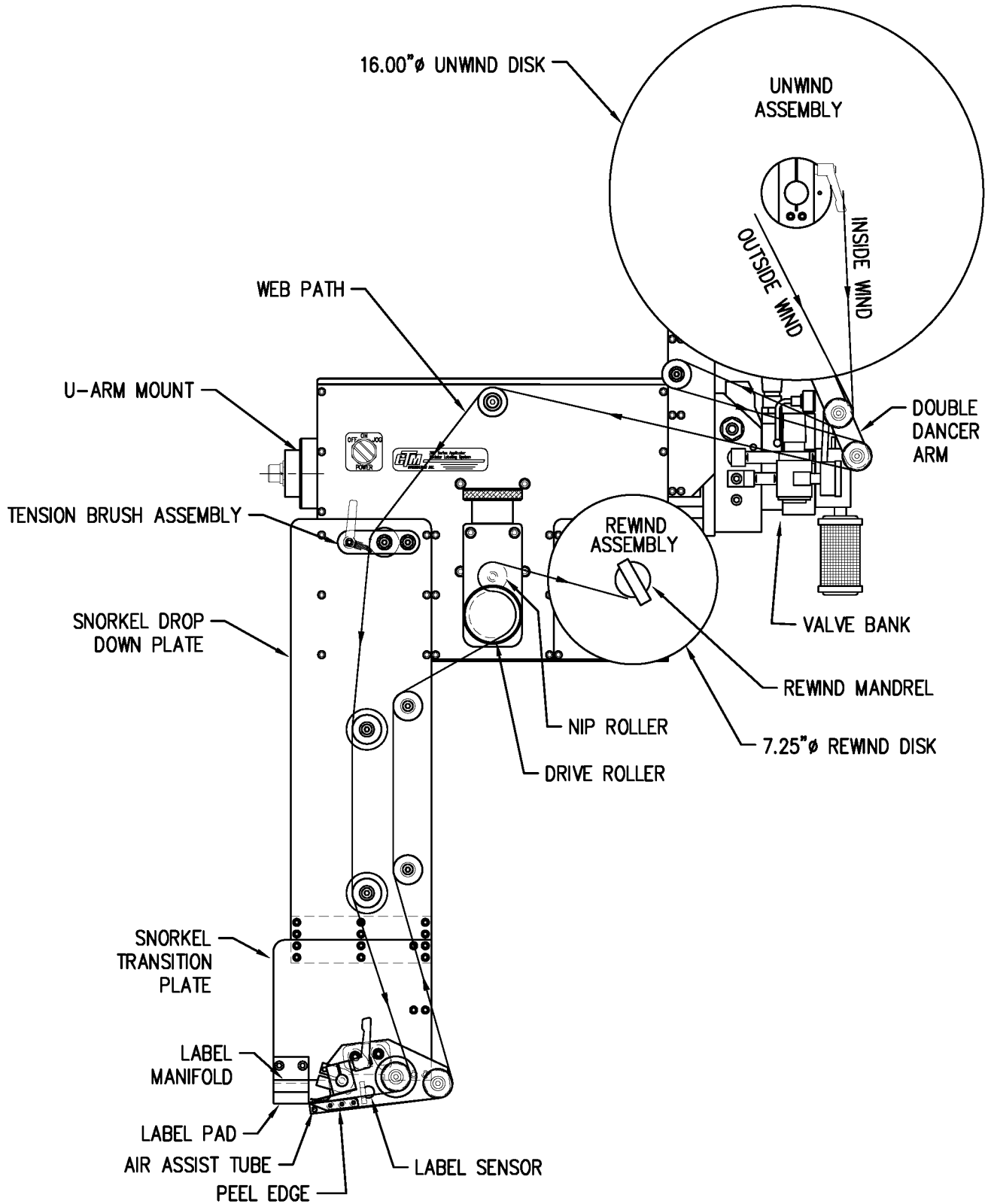


**WEB PATH DIAGRAM**  
**360 SERIES RIGHT HAND 12" DROP DOWN RVB APPLICATOR**  
**WITH 16" UNWIND**



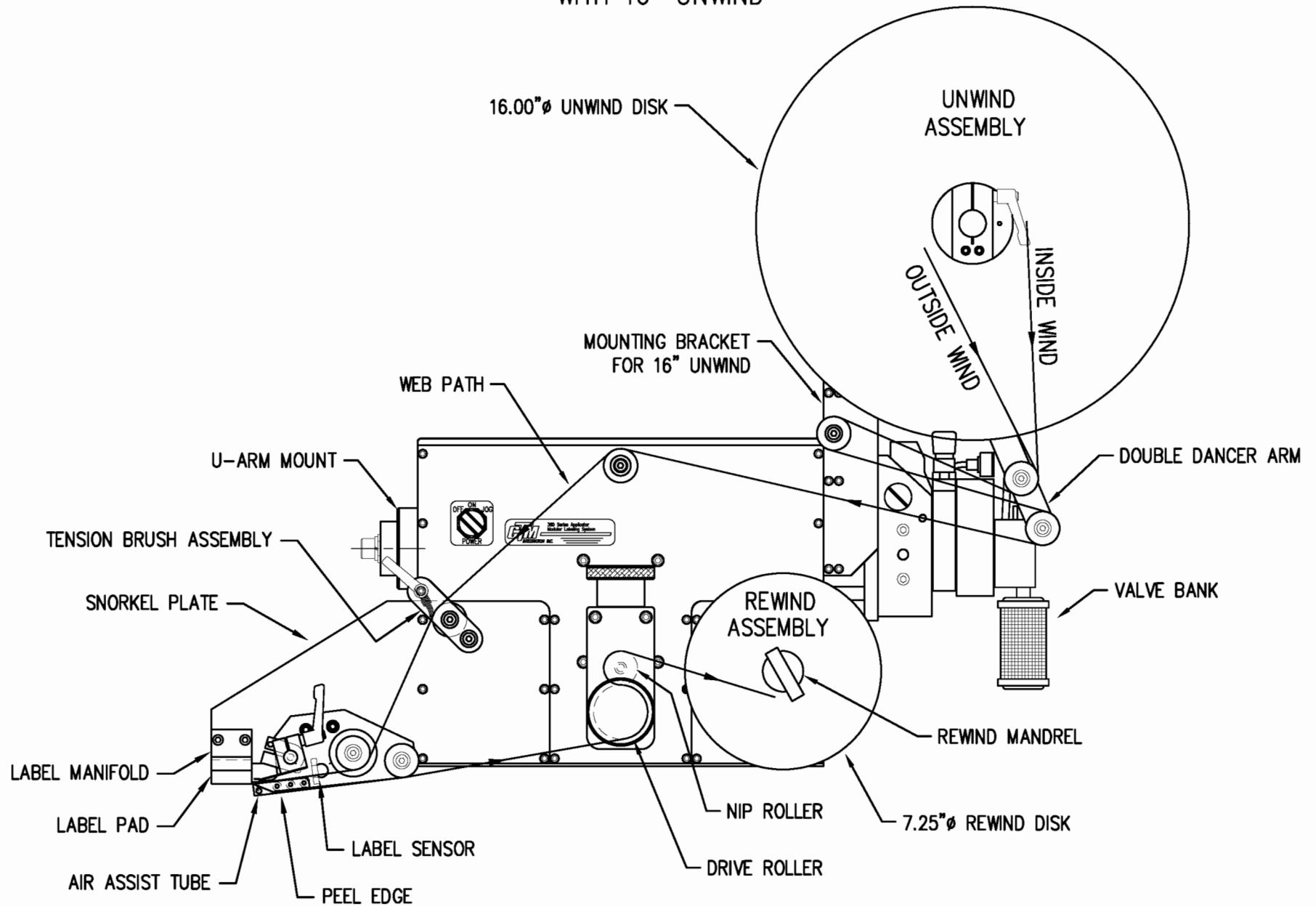


WEB PATH DIAGRAM  
360 SERIES LEFT HAND 18"/24" DROP DOWN RVB APPLICATOR  
WITH 16" UNWIND

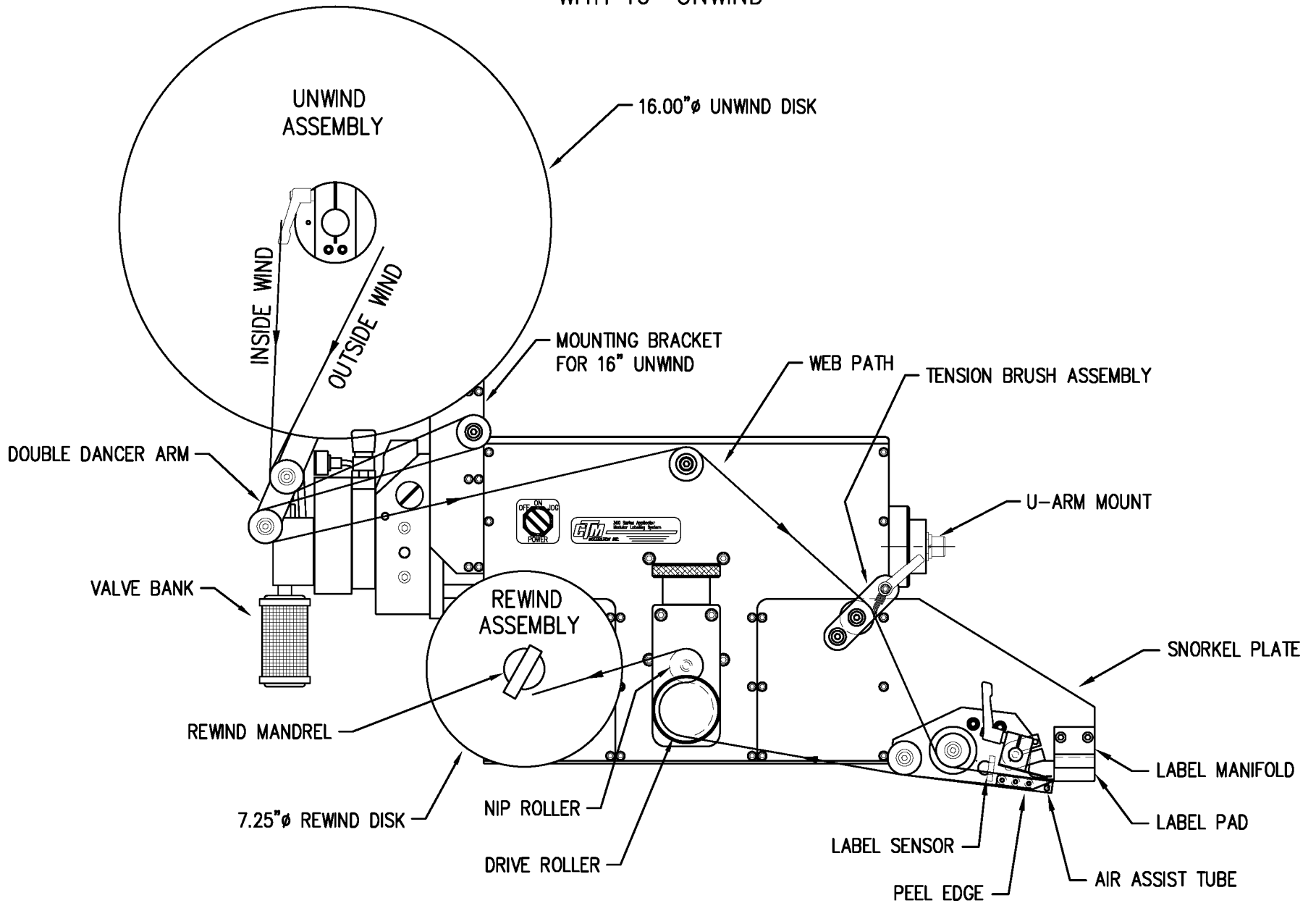


NOTE: 18" SNORKEL SHOWN

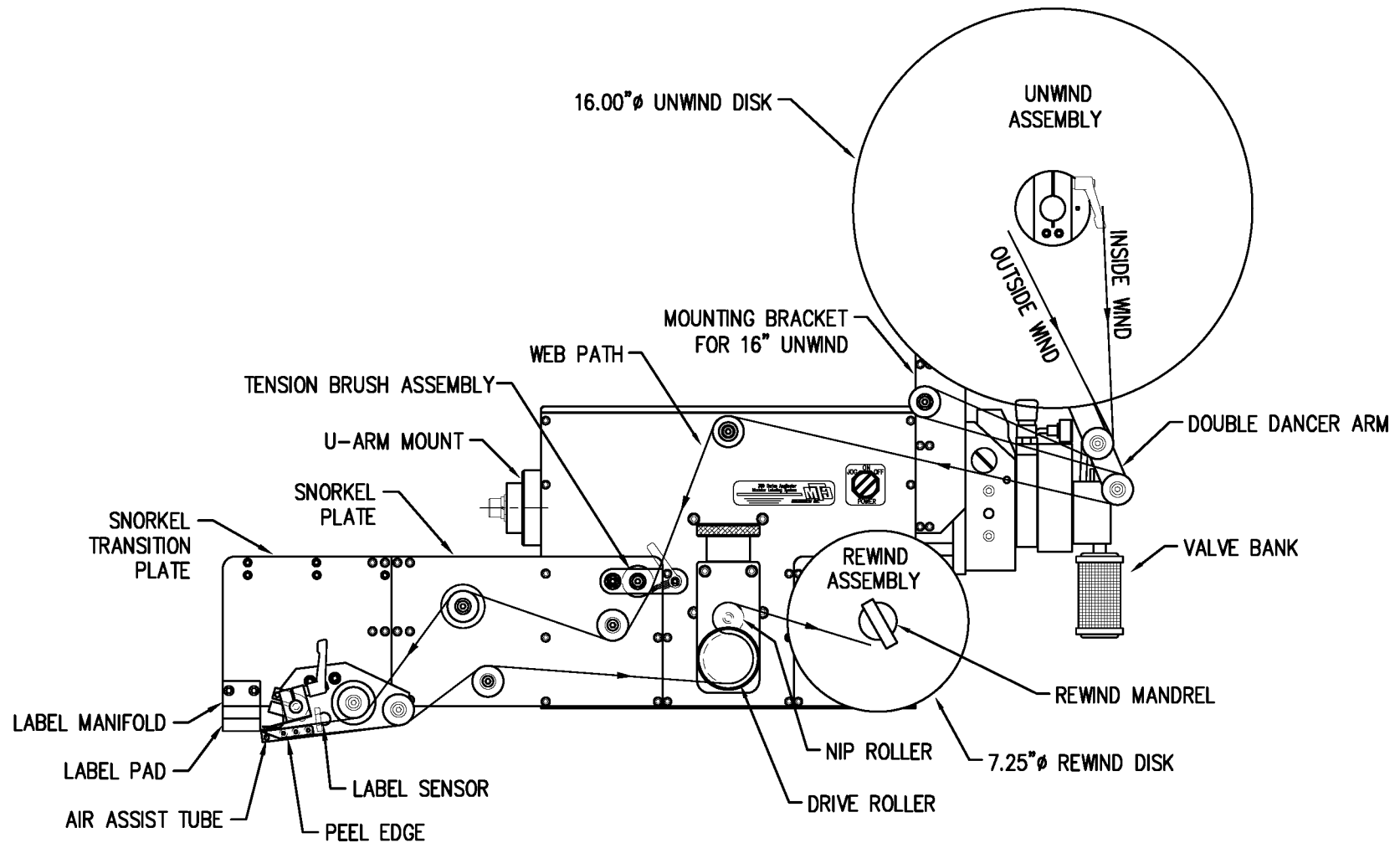
WEB PATH DIAGRAM  
360 SERIES LEFT HAND 6" EXTENDED RVB APPLICATOR  
WITH 16" UNWIND



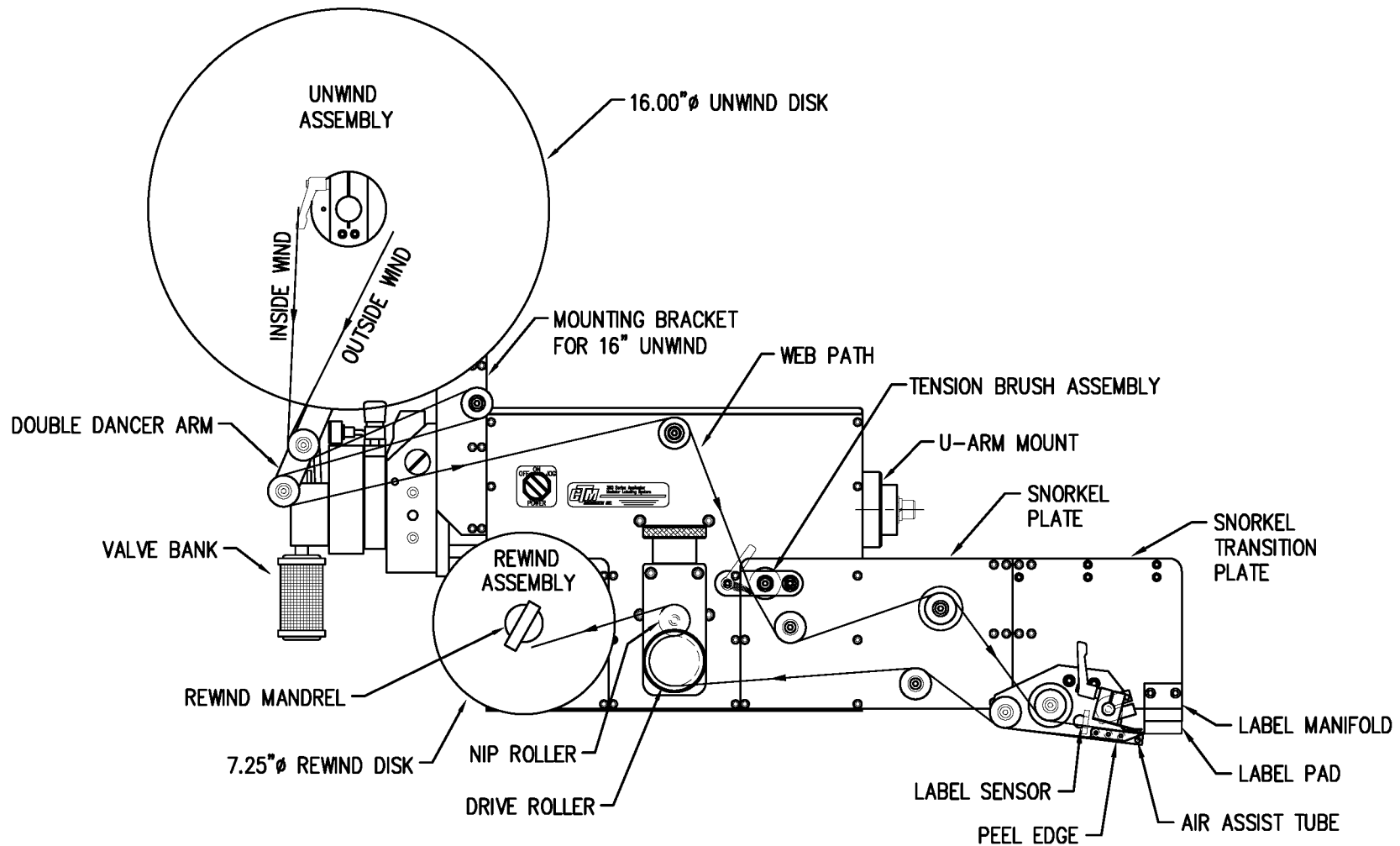
WEB PATH DIAGRAM  
360 SERIES RIGHT HAND 6" EXTENDED RVB APPLICATOR  
WITH 16" UNWIND



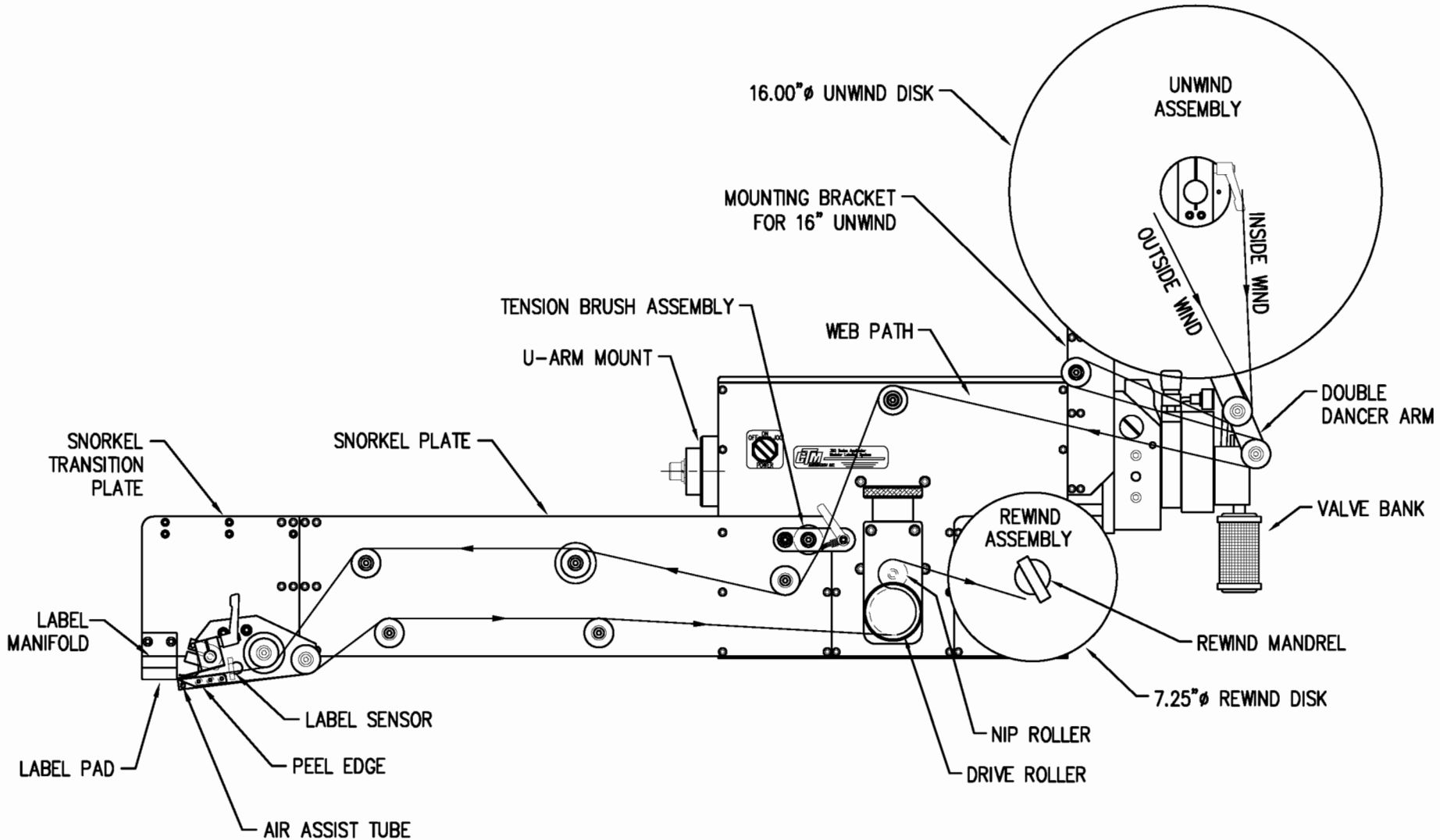
WEB PATH DIAGRAM  
 360 SERIES LEFT HAND 12" EXTENDED RVB APPLICATOR  
 WITH 16" UNWIND



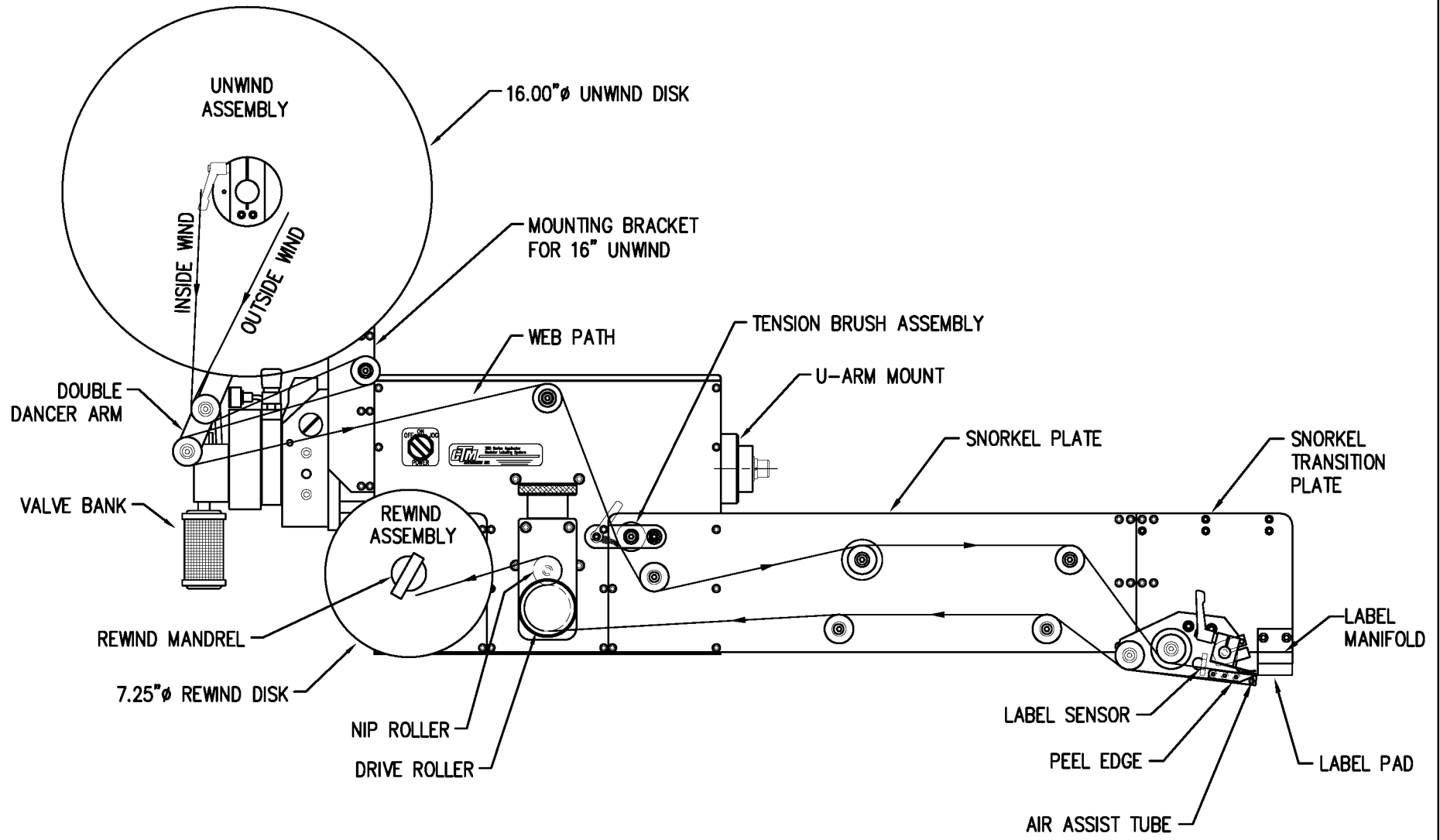
WEB PATH DIAGRAM  
360 SERIES RIGHT HAND 12" EXTENDED RVB APPLICATOR  
WITH 16" UNWIND



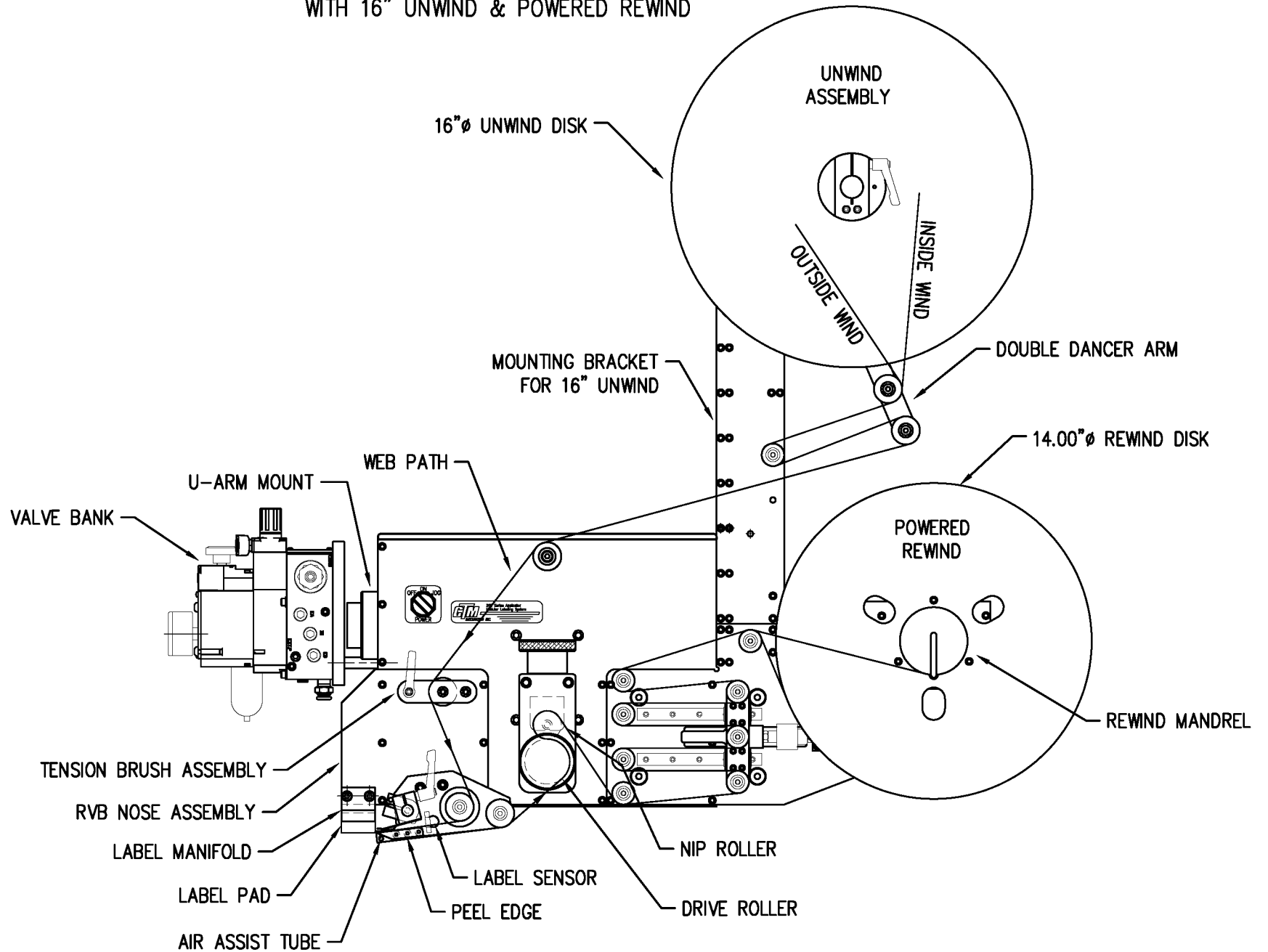
WEB PATH DIAGRAM  
360 SERIES LEFT HAND 18/24" EXTENDED RVB APPLICATOR  
WITH 16" UNWIND



WEB PATH DIAGRAM  
360 SERIES RIGHT HAND 18/24" EXTENDED RVB APPLICATOR  
WITH 16" UNWIND

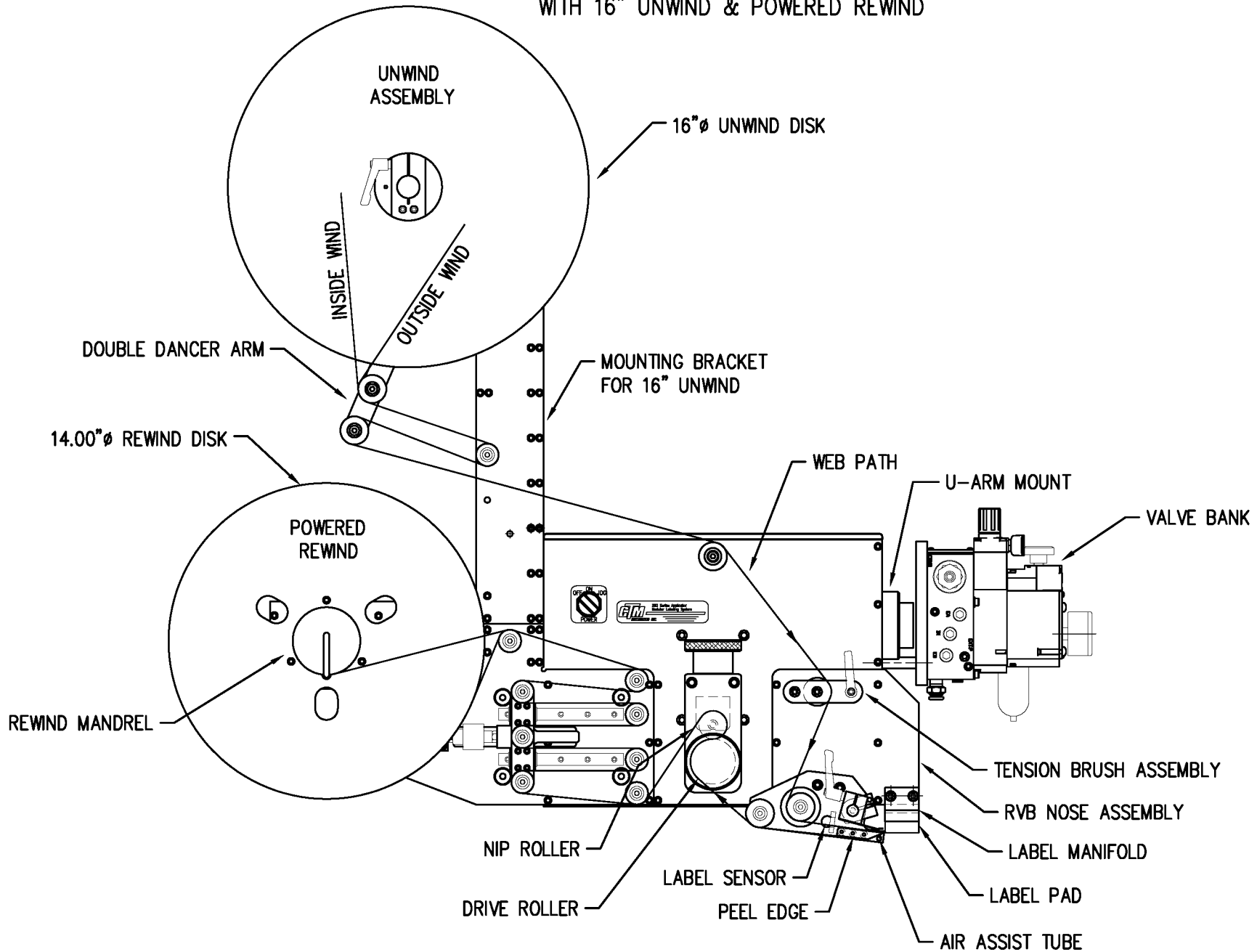


WEB PATH DIAGRAM  
360 SERIES LEFT HAND RVB APPLICATOR  
WITH 16" UNWIND & POWERED REWIND

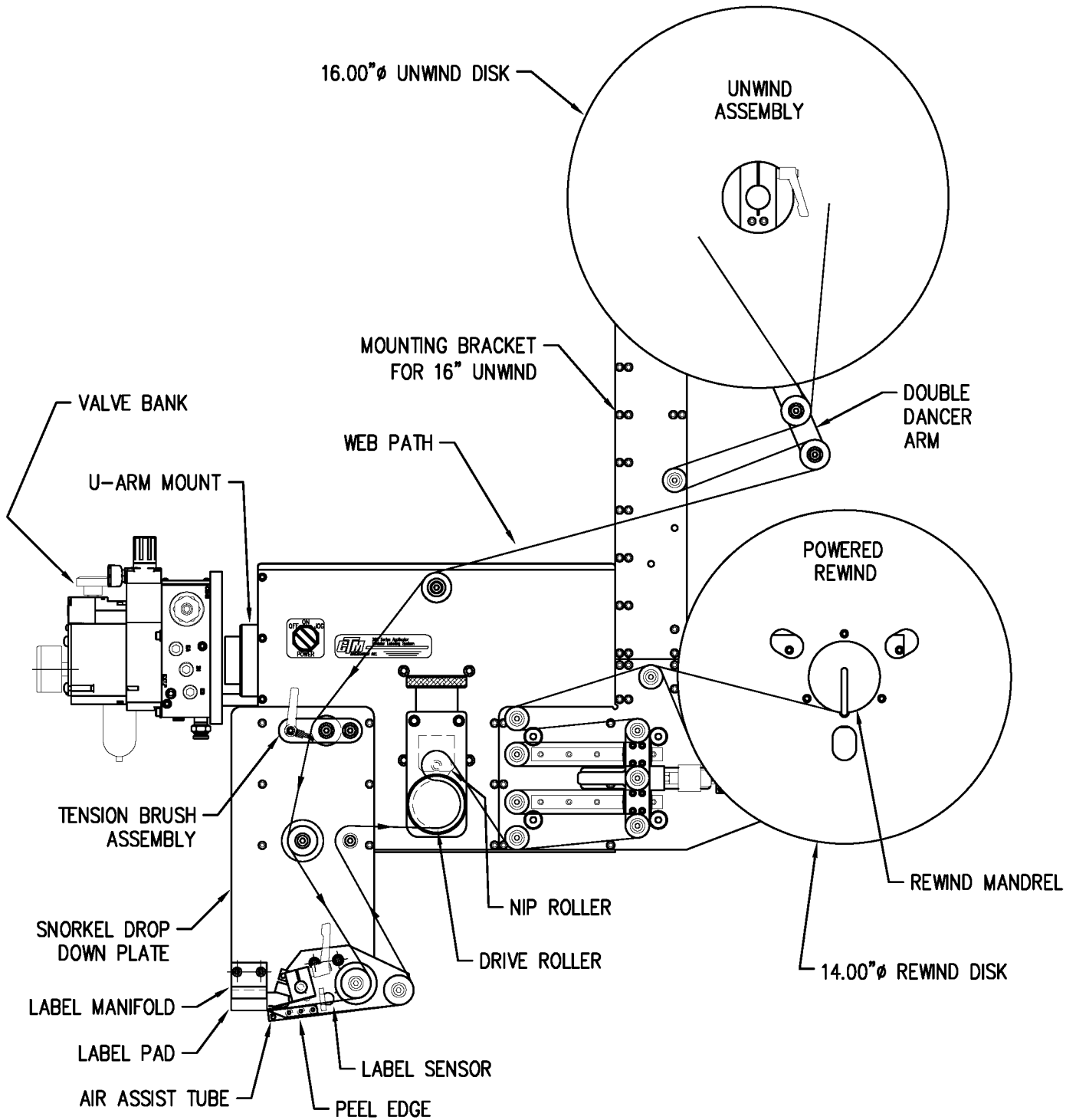




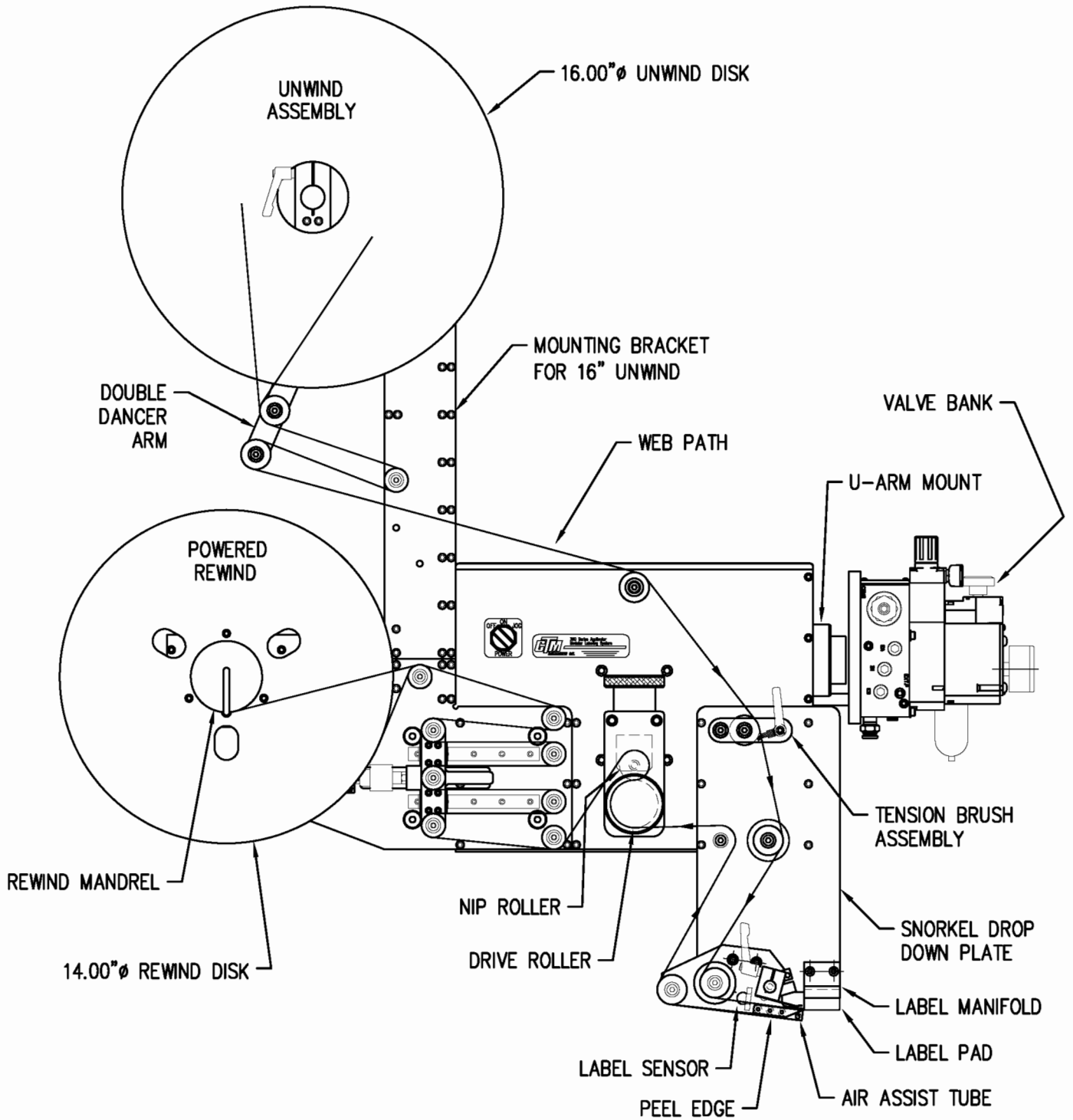
**WEB PATH DIAGRAM**  
**360 SERIES RIGHT HAND RVB APPLICATOR**  
**WITH 16" UNWIND & POWERED REWIND**



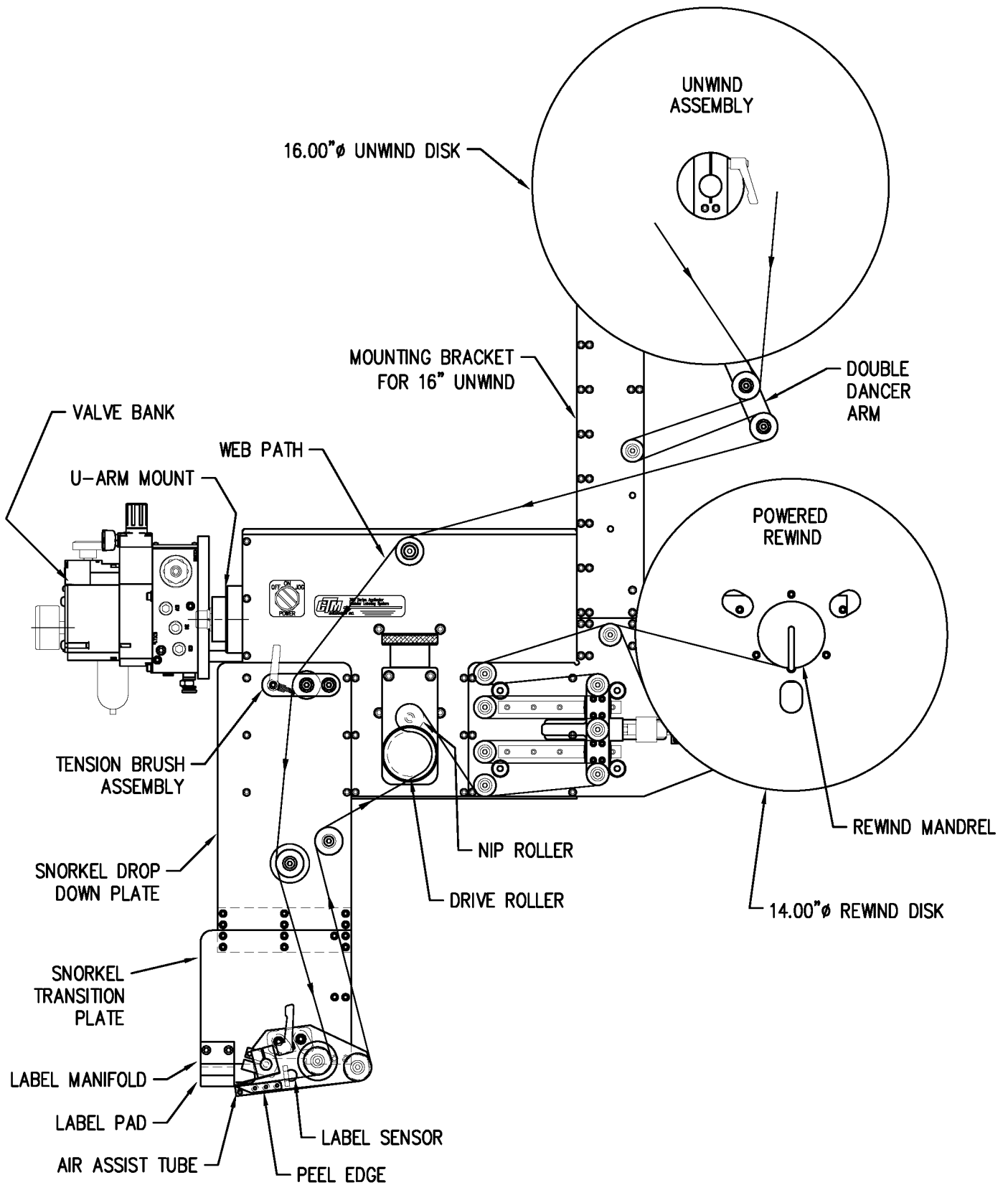
WEB PATH DIAGRAM  
360 SERIES LEFT HAND 6" DROP DOWN RVB APPLICATOR  
WITH 16" UNWIND & POWERED REWIND



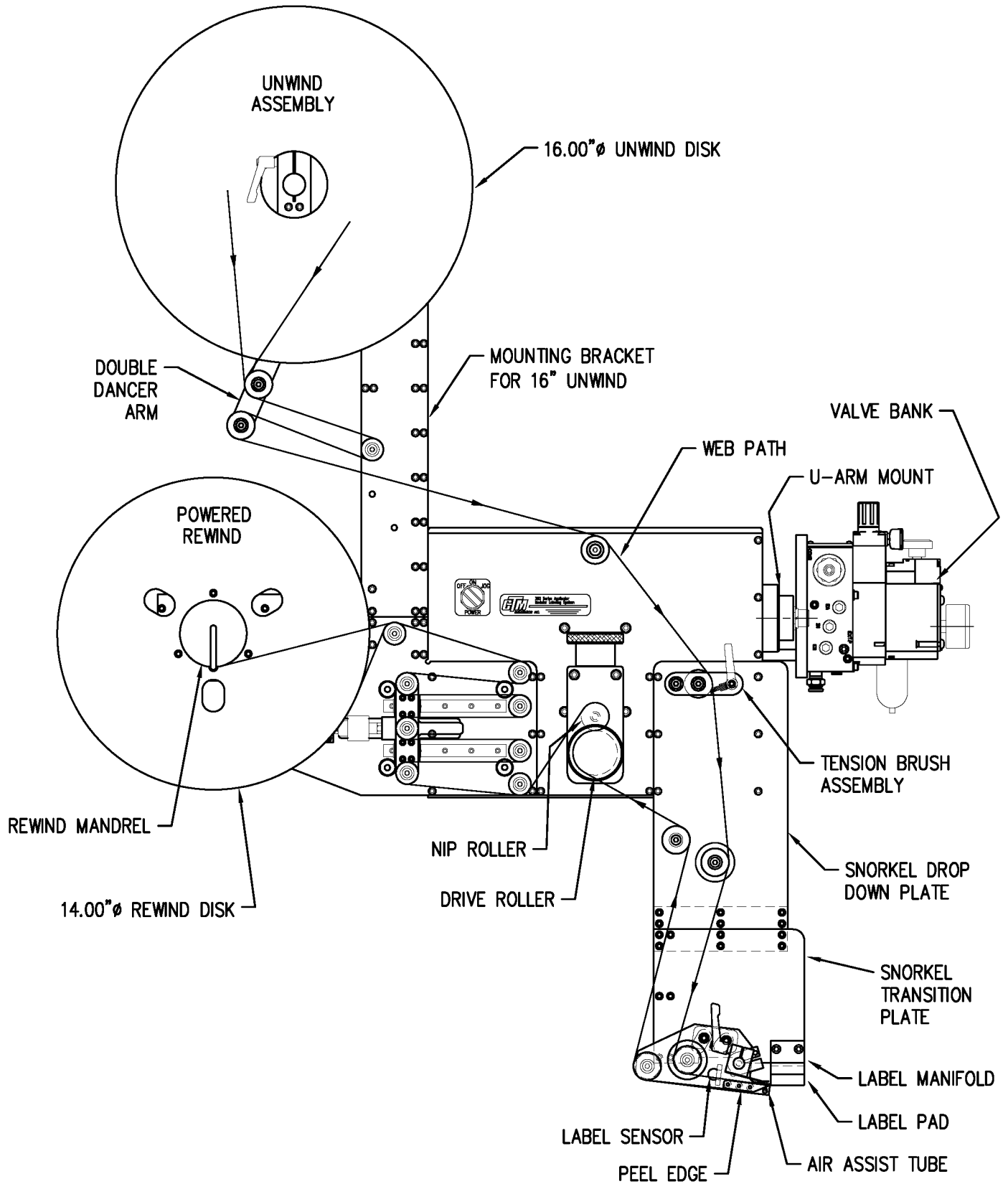
WEB PATH DIAGRAM  
360 SERIES RIGHT HAND 6" DROP DOWN RVB APPLICATOR  
WITH 16" UNWIND & POWERED REWIND



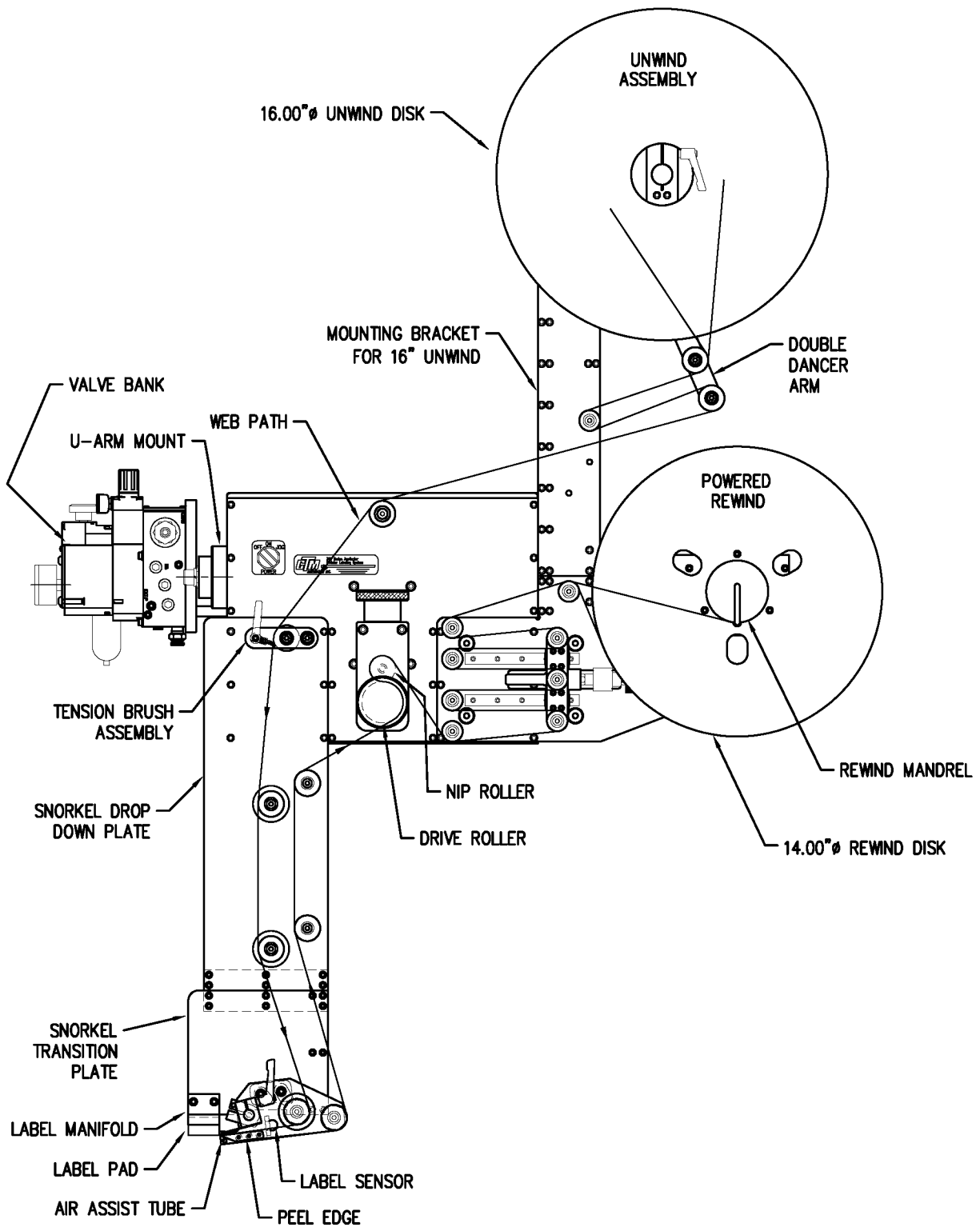
WEB PATH DIAGRAM  
360 SERIES LEFT HAND 12" DROP DOWN RVB APPLICATOR  
WITH 16" UNWIND & POWERED REWIND



WEB PATH DIAGRAM  
360 SERIES RIGHT HAND 12" DROP DOWN RVB APPLICATOR  
WITH 16" UNWIND & POWERED REWIND

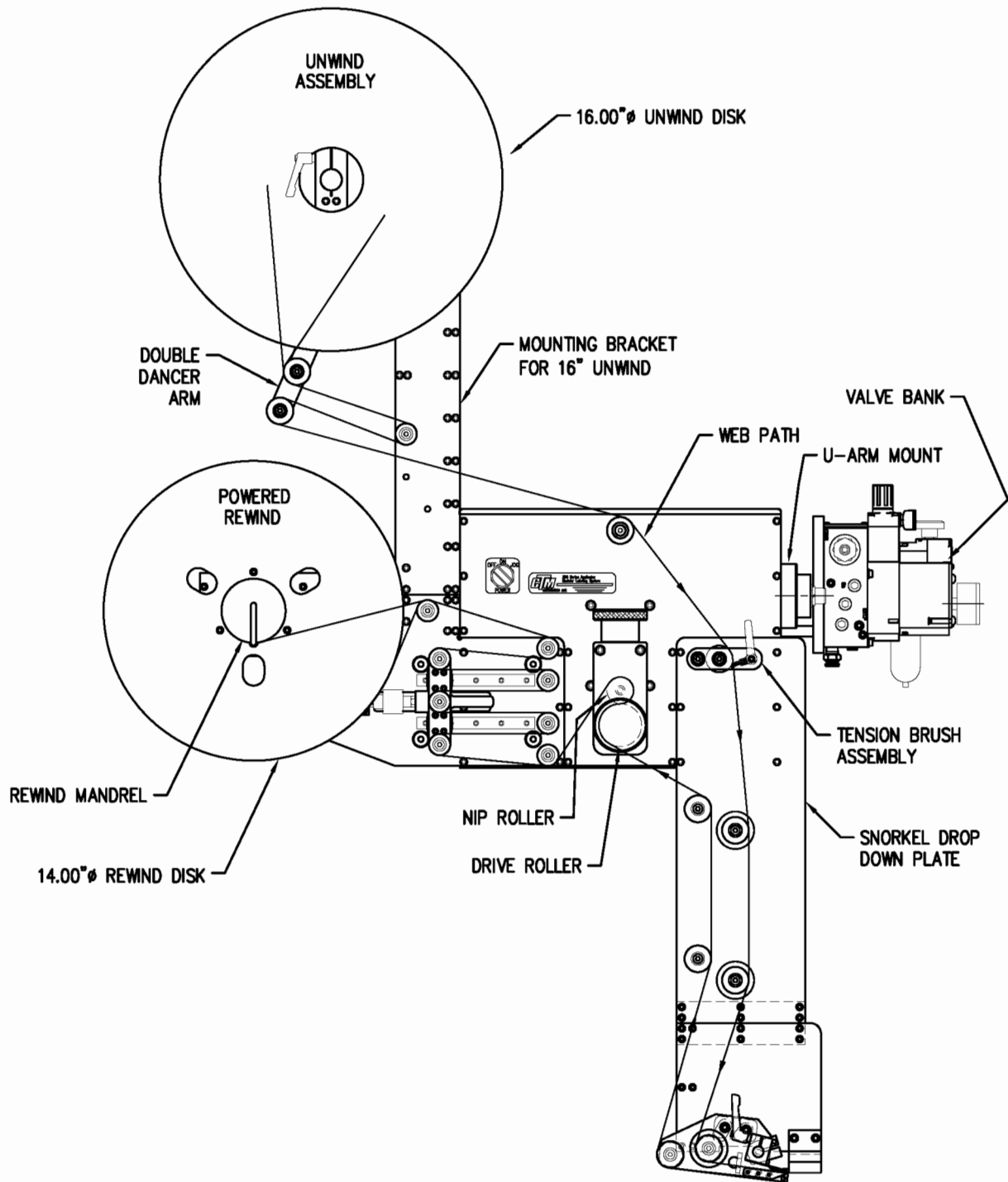


WEB PATH DIAGRAM  
 360 SERIES LEFT HAND 18"/24" DROP DOWN RVB APPLICATOR  
 WITH 16" UNWIND & POWERED REWIND



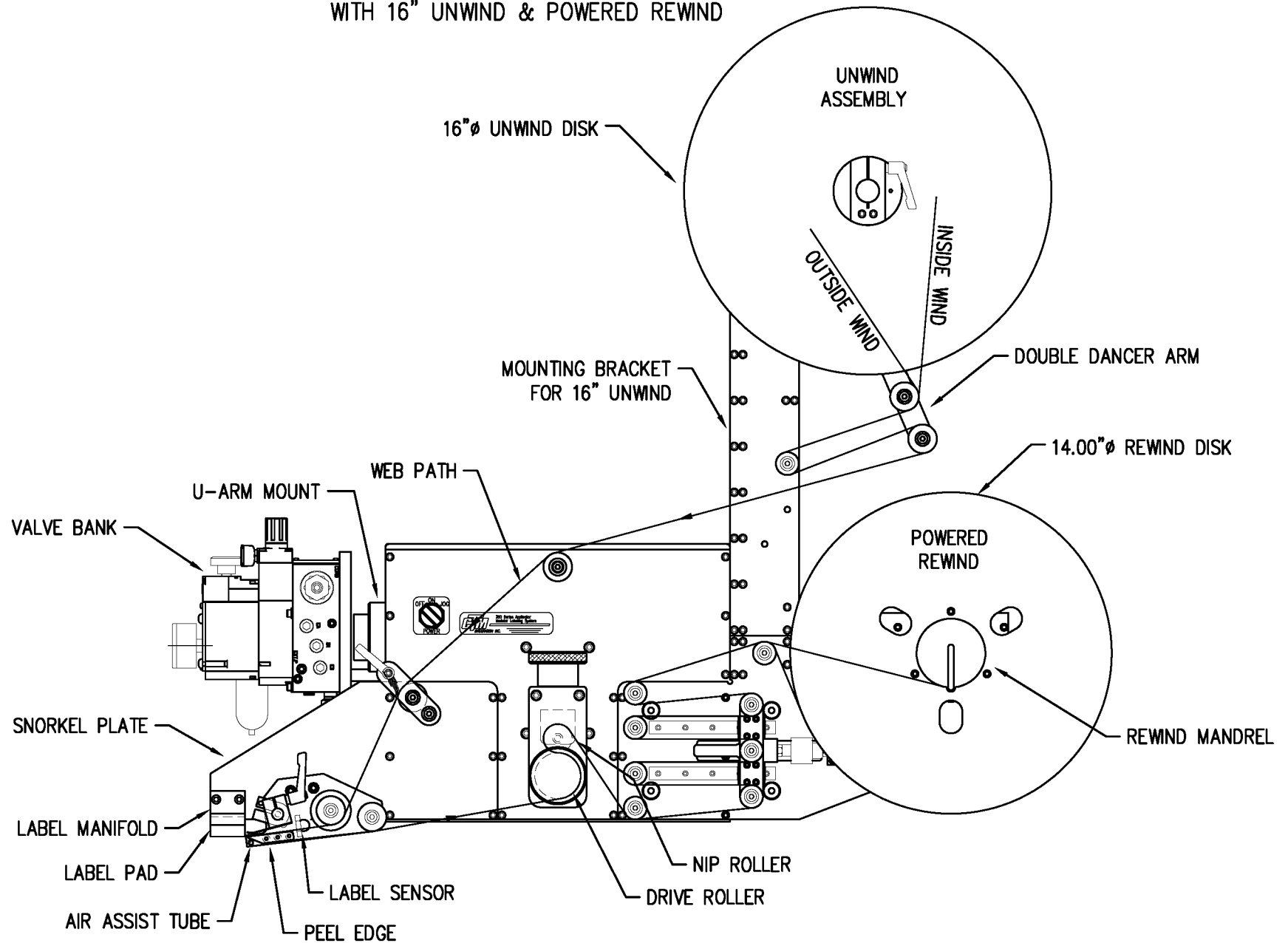
**NOTE: 18" SNORKEL SHOWN**

WEB PATH DIAGRAM  
360 SERIES RIGHT HAND 18"/24" DROP DOWN RVB APPLICATOR  
WITH 16" UNWIND & POWERED REWIND



NOTE: 18" SNORKEL SHOWN

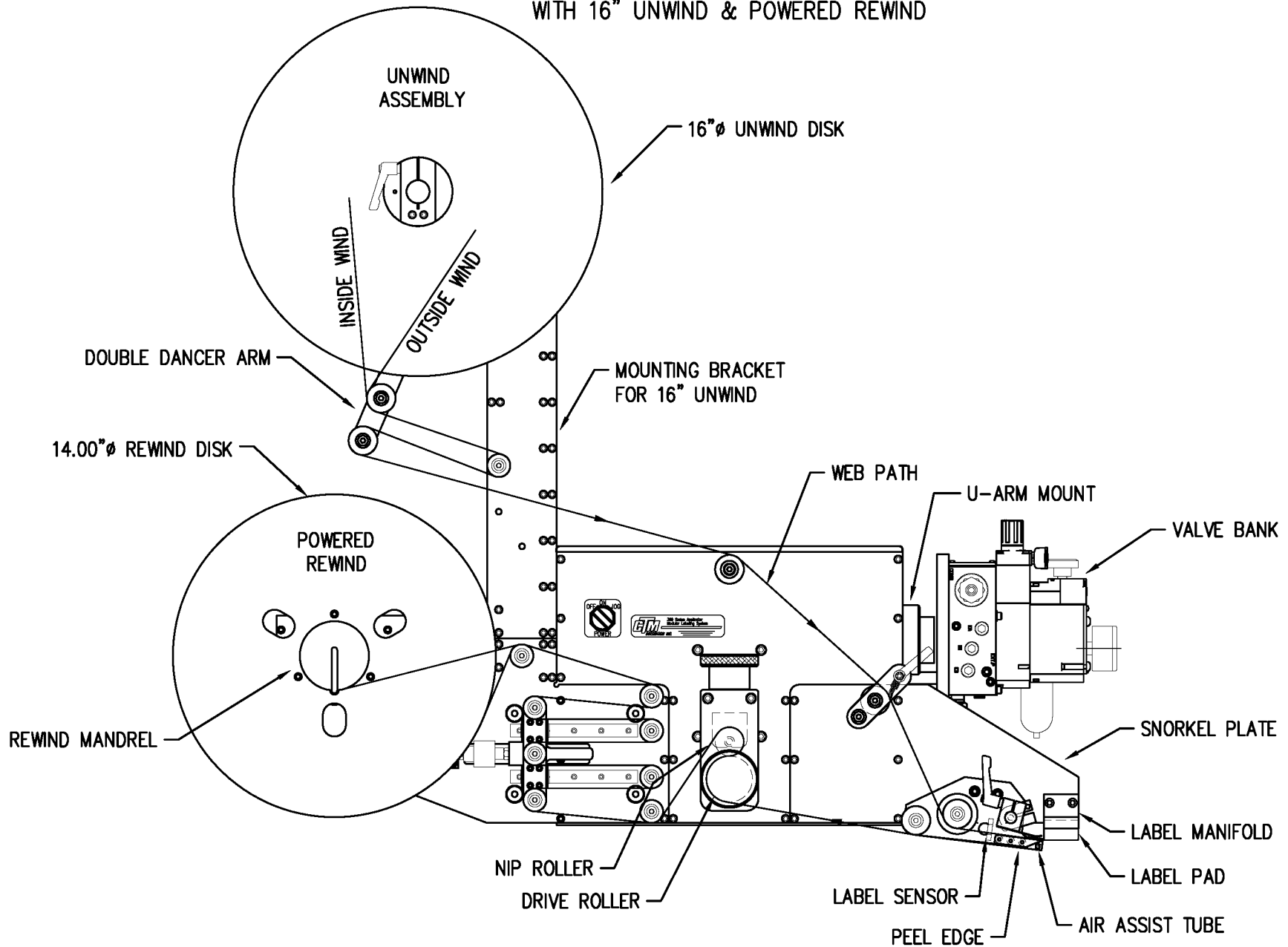
WEB PATH DIAGRAM  
360 SERIES LEFT HAND 6" EXTENDED RVB APPLICATOR  
WITH 16" UNWIND & POWERED REWIND



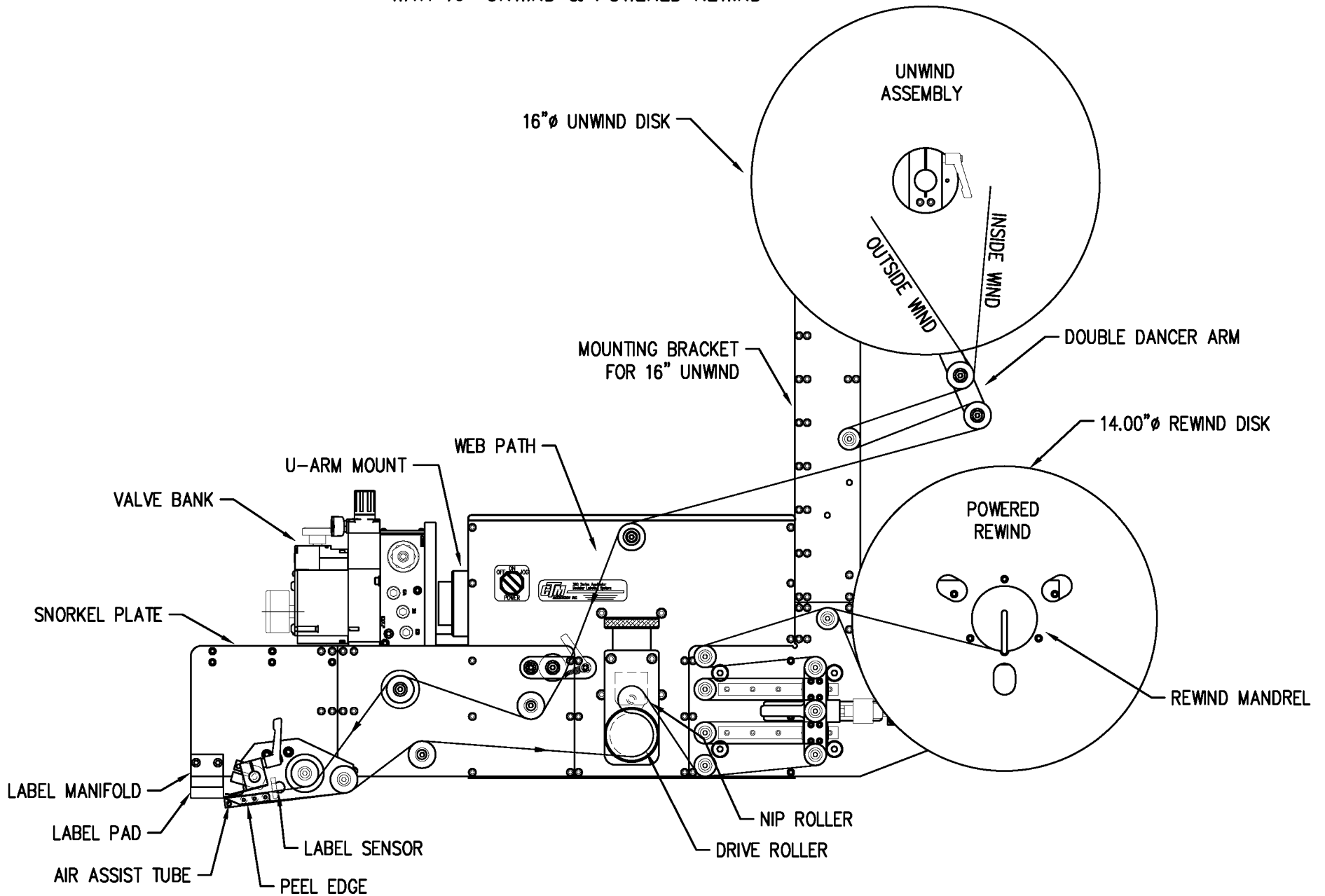


WEB PATH DIAGRAM

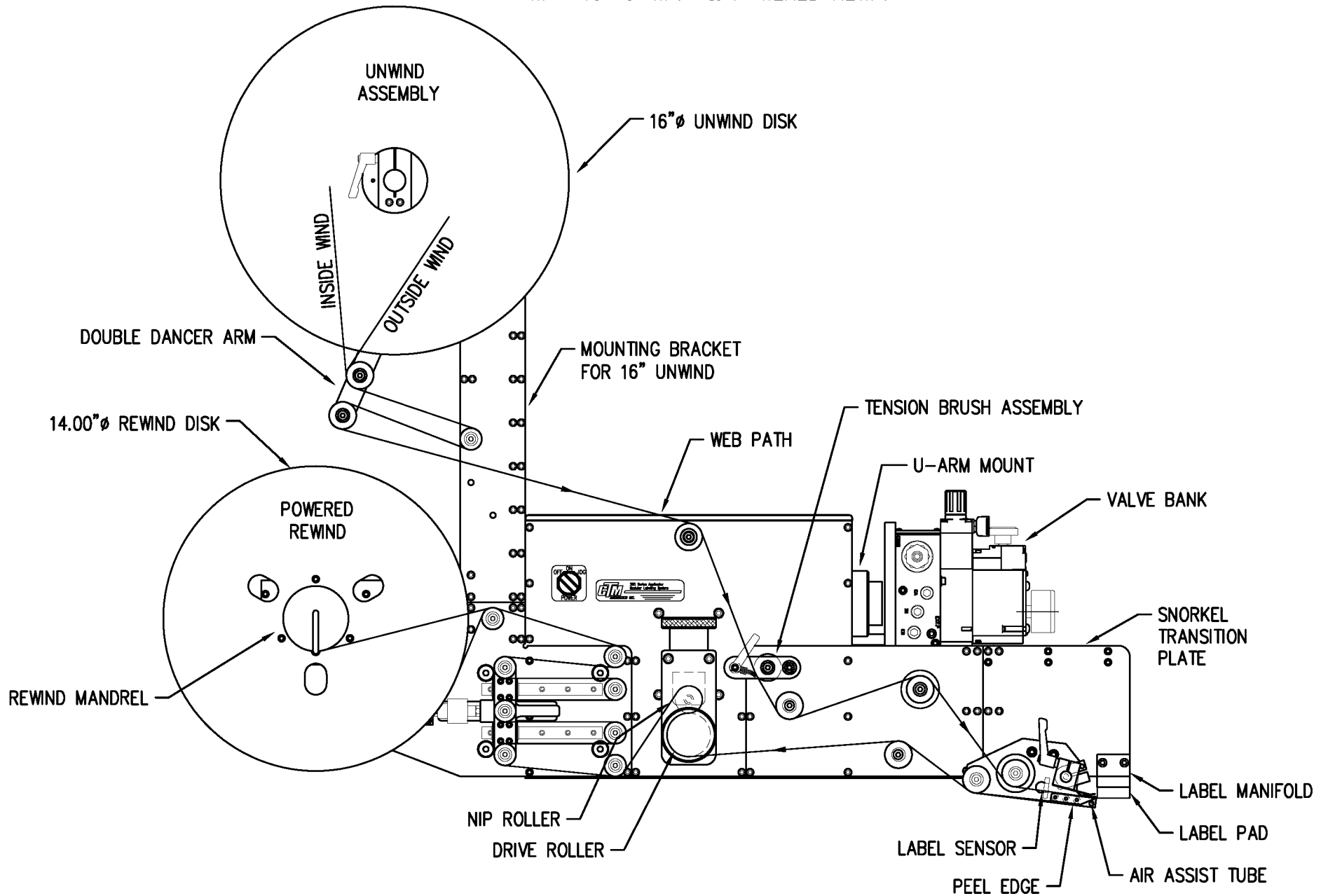
360 SERIES RIGHT HAND 6" EXTENDED RVB APPLICATOR  
WITH 16" UNWIND & POWERED REWIND



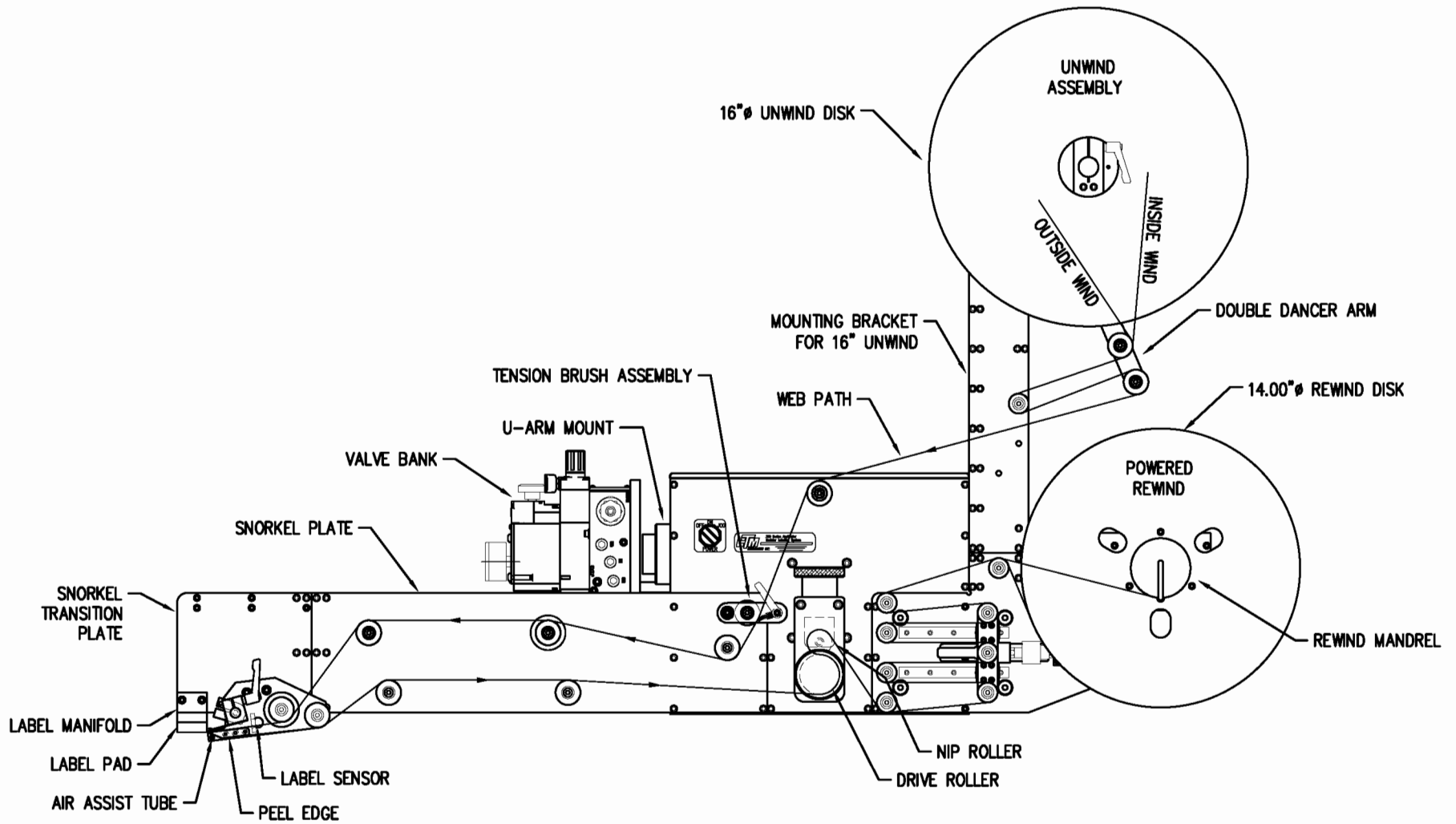
WEB PATH DIAGRAM  
360 SERIES LEFT HAND 12" EXTENDED RVB APPLICATOR  
WITH 16" UNWIND & POWERED REWIND



WEB PATH DIAGRAM  
360 SERIES RIGHT HAND 12" EXTENDED RVB APPLICATOR  
WITH 16" UNWIND & POWERED REWIND

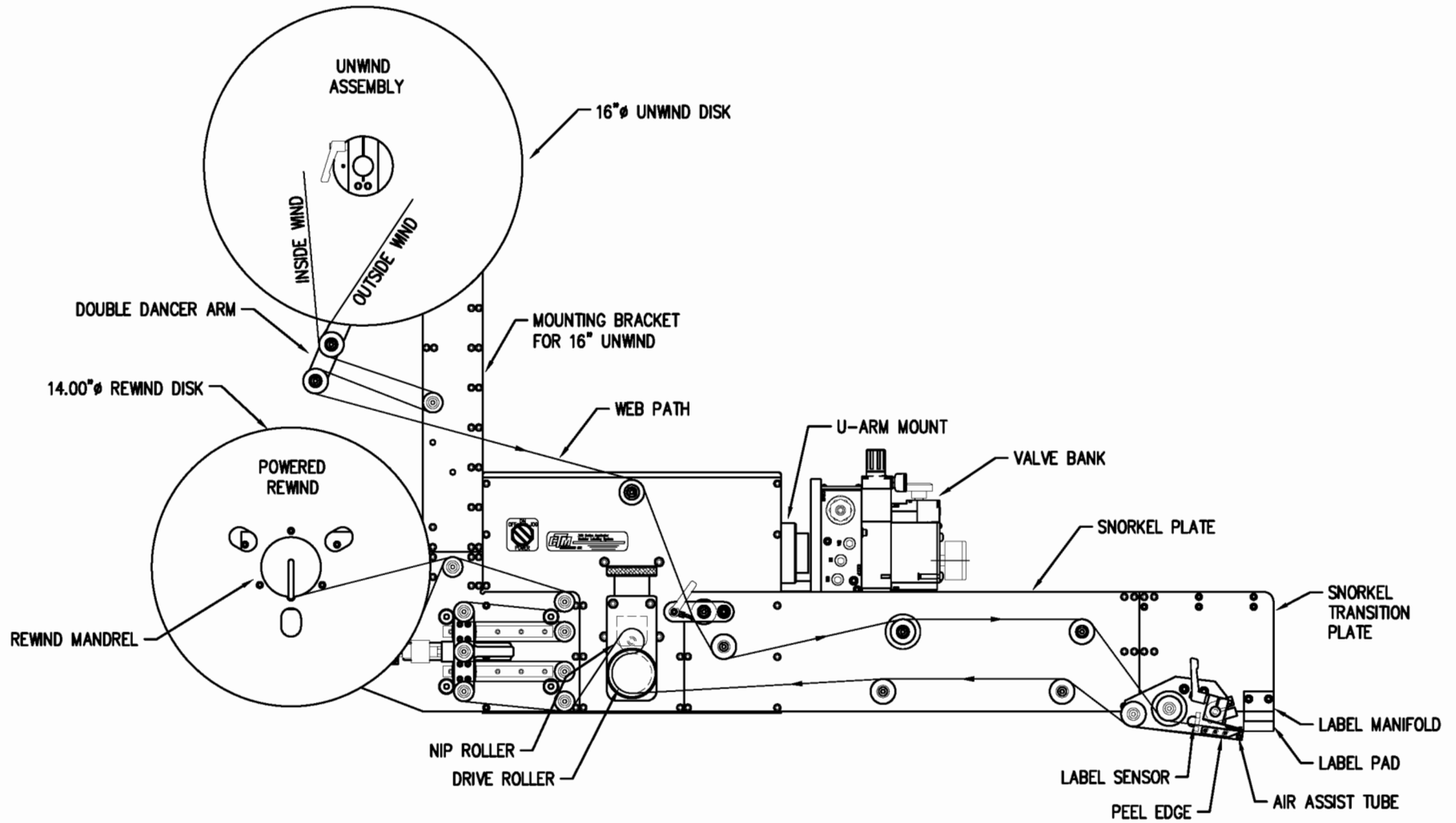


WEB PATH DIAGRAM  
 360 SERIES LEFT HAND 18/24" EXTENDED RVB APPLICATOR  
 WITH 16" UNWIND & POWERED REWIND



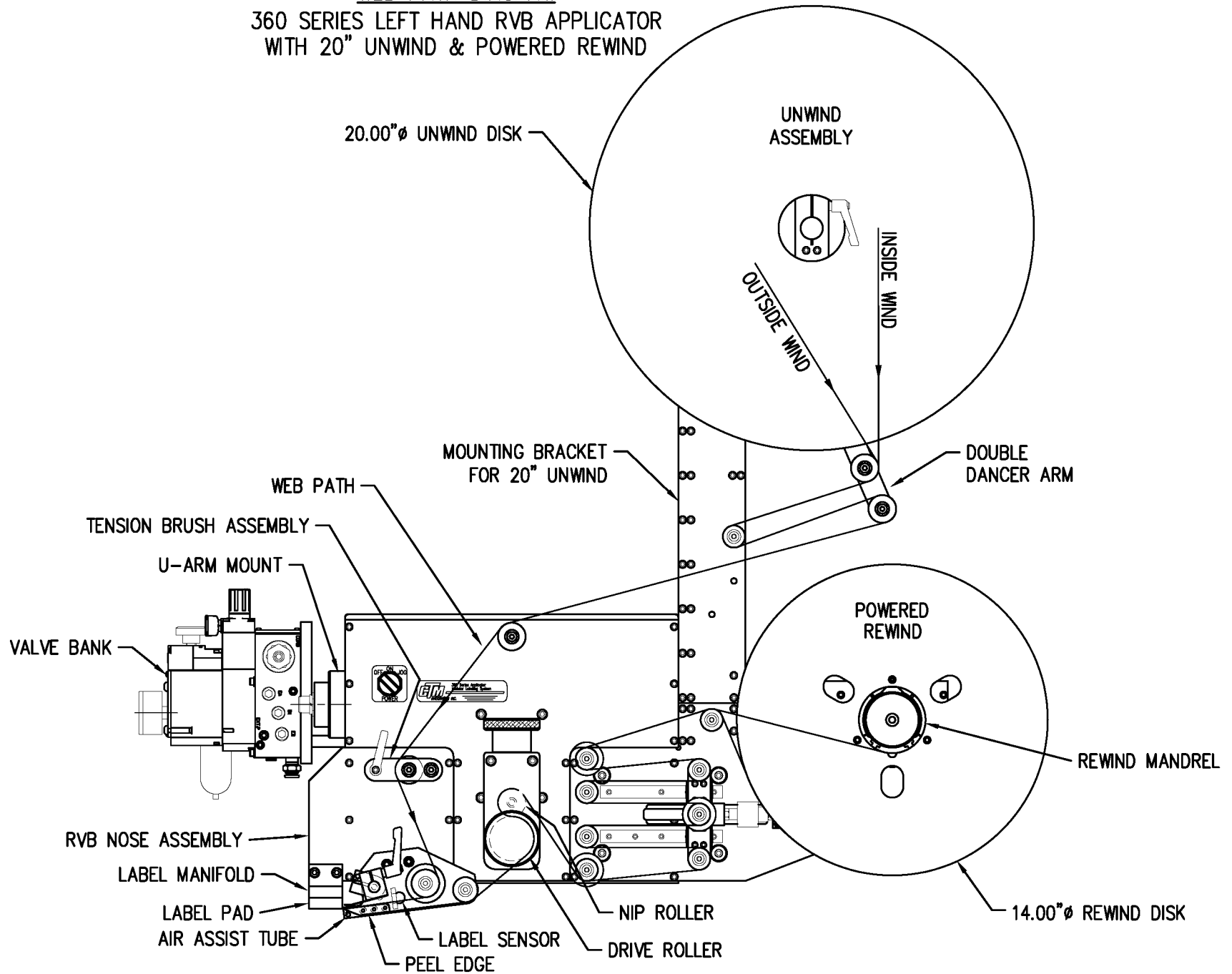
NOTE: 18" SNORKEL SHOWN

WEB PATH DIAGRAM  
360 SERIES RIGHT HAND 18/24" EXTENDED RVB APPLICATOR  
WITH 16" UNWIND & POWERED REWIND

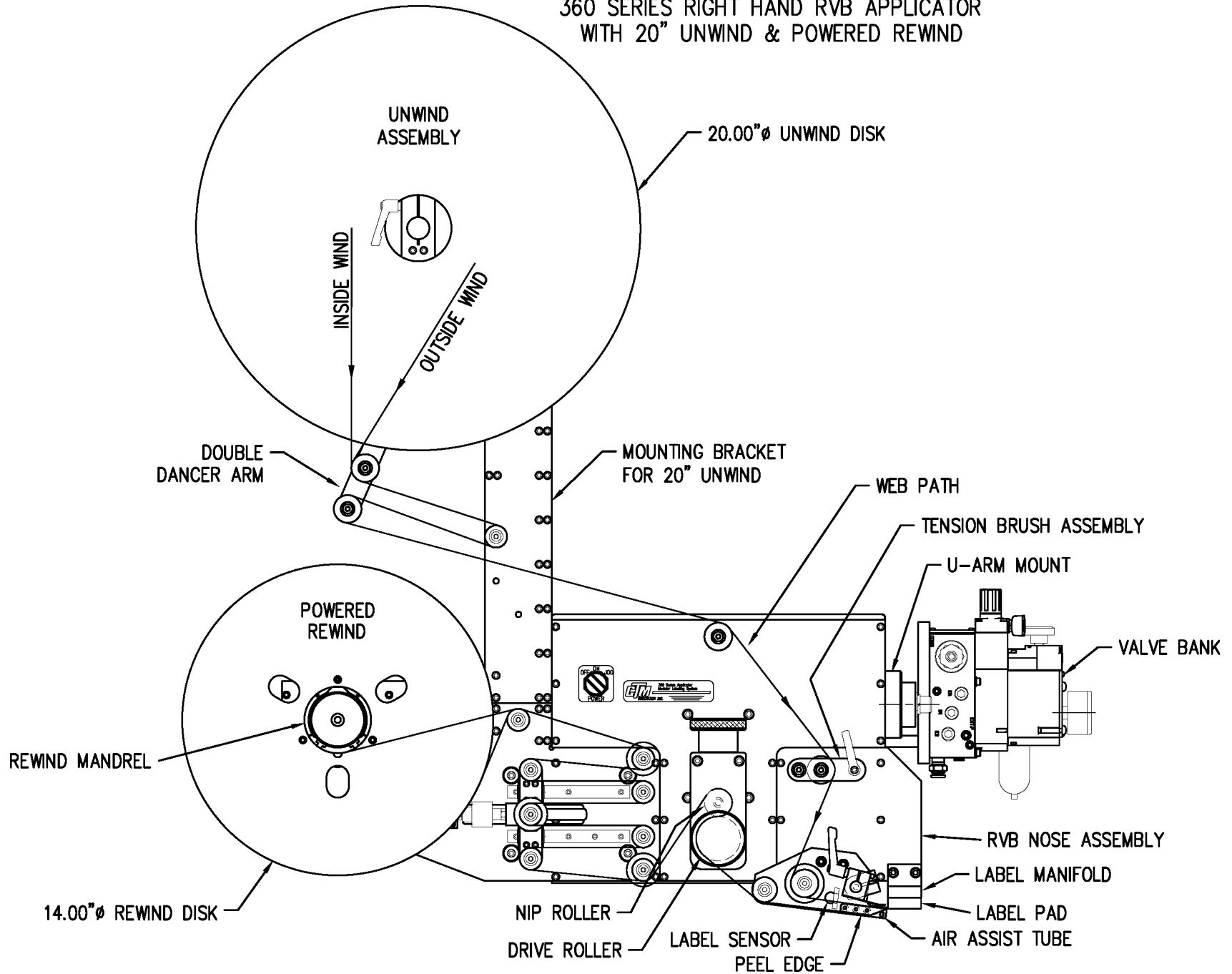


NOTE: 18" SNORKEL SHOWN

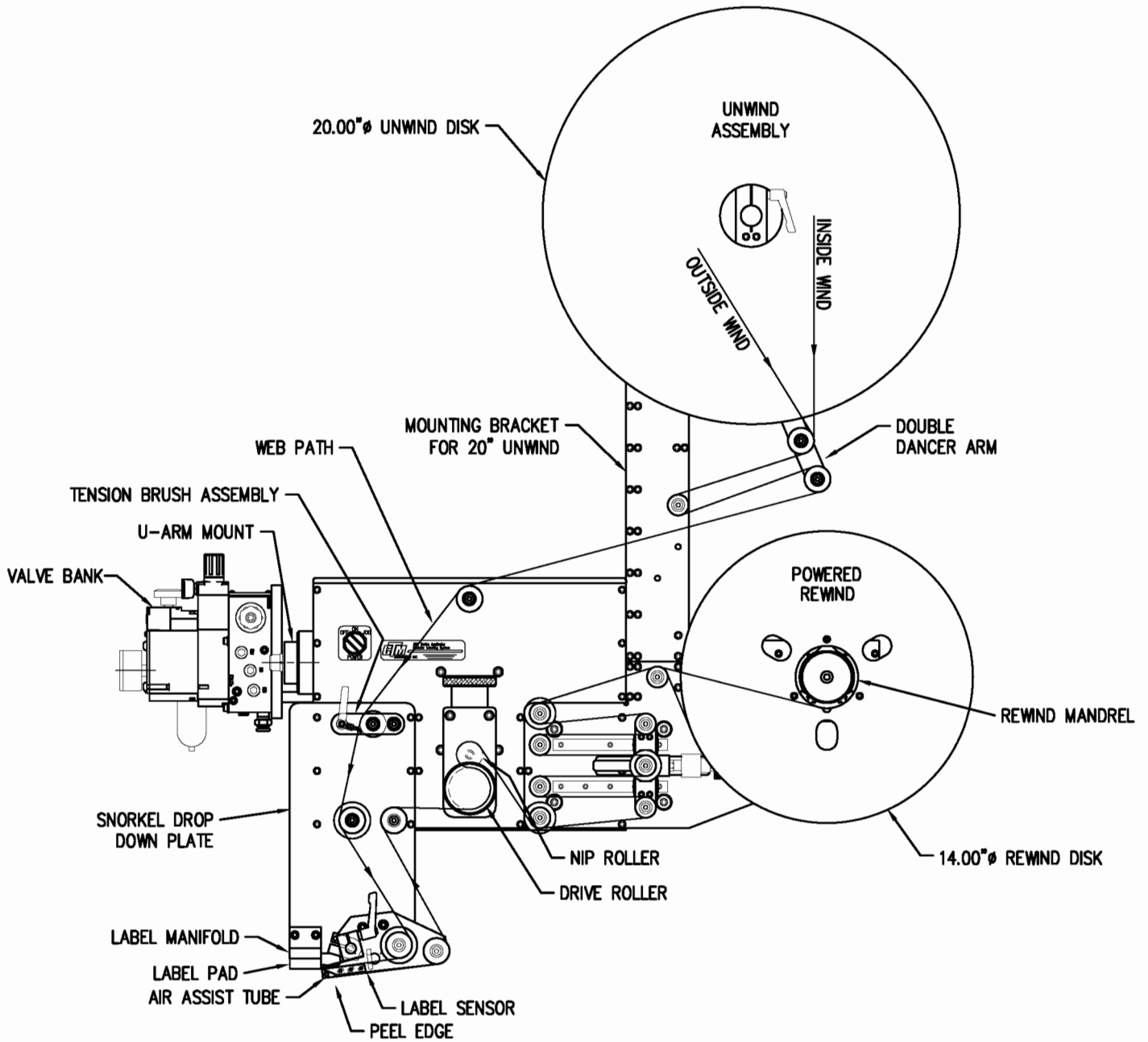
**WEB PATH DIAGRAM**  
**360 SERIES LEFT HAND RVB APPLICATOR**  
**WITH 20" UNWIND & POWERED REWIND**



WEB PATH DIAGRAM  
360 SERIES RIGHT HAND RVB APPLICATOR  
WITH 20" UNWIND & POWERED REWIND

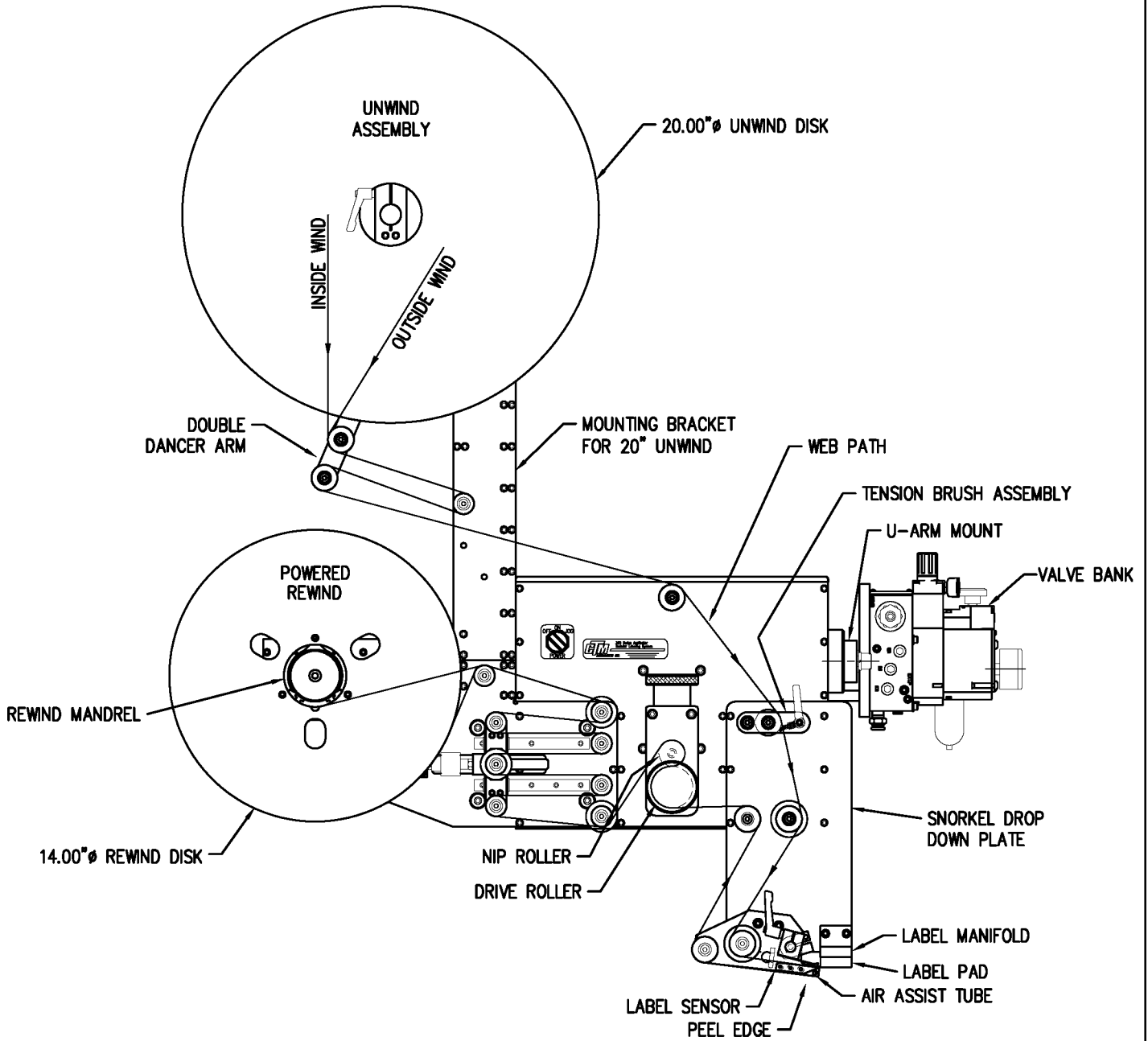


WEB PATH DIAGRAM  
360 SERIES LEFT HAND 6" DROP DOWN RVB APPLICATOR  
WITH 20" UNWIND & POWERED REWIND

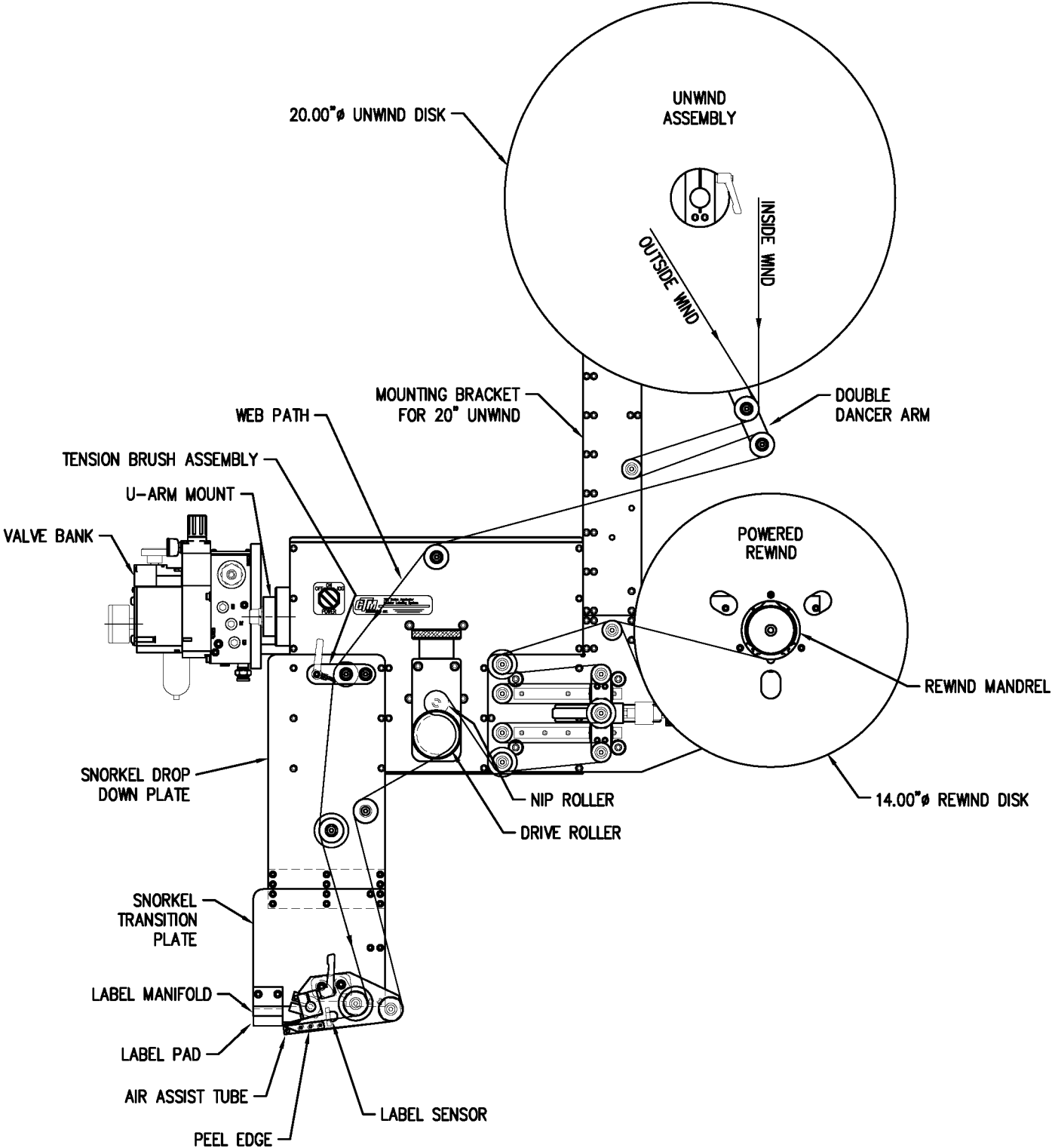




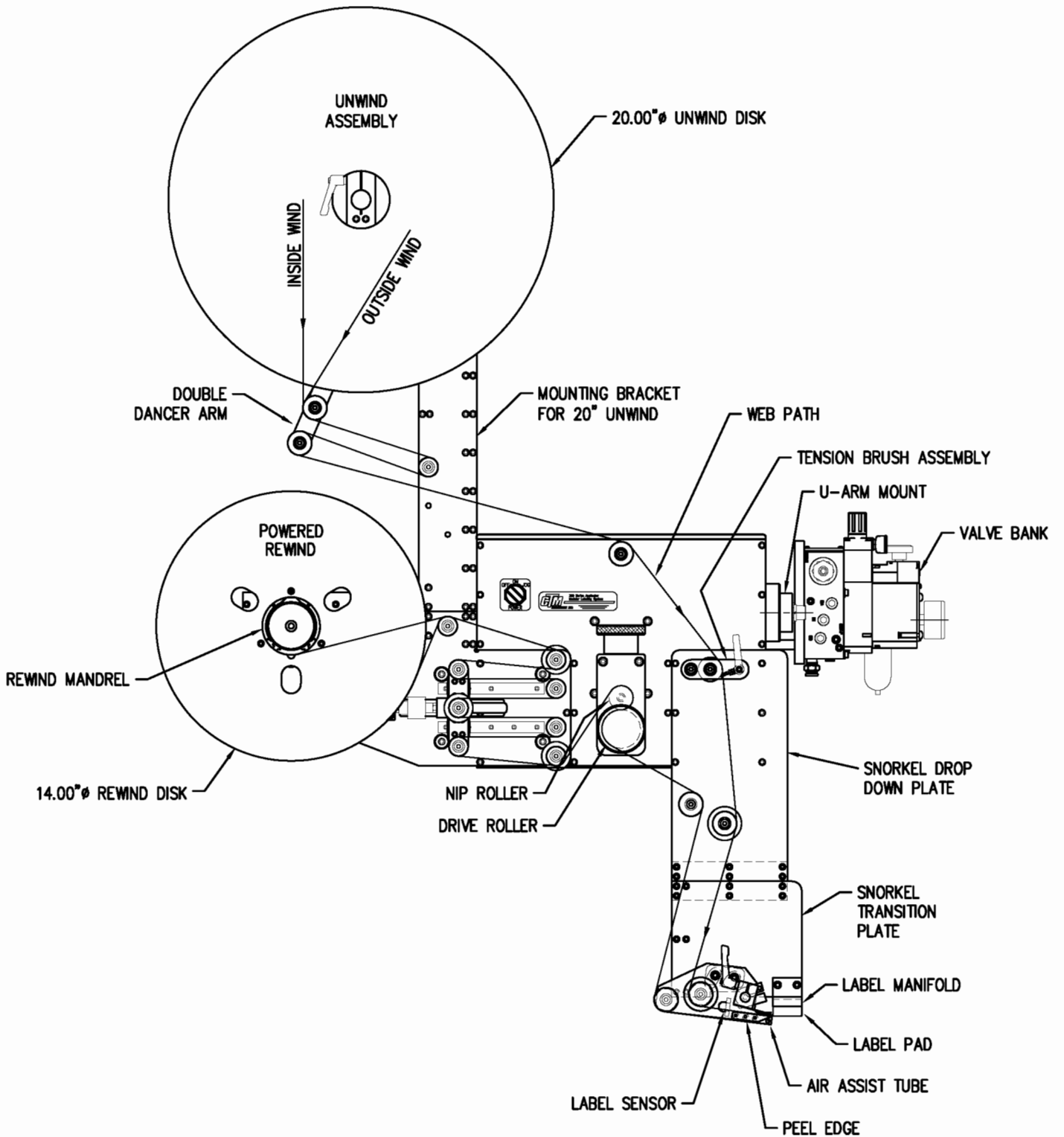
WEB PATH DIAGRAM  
360 SERIES LEFT HAND 6" DROP DOWN RVB APPLICATOR  
WITH 20" UNWIND & POWERED REWIND



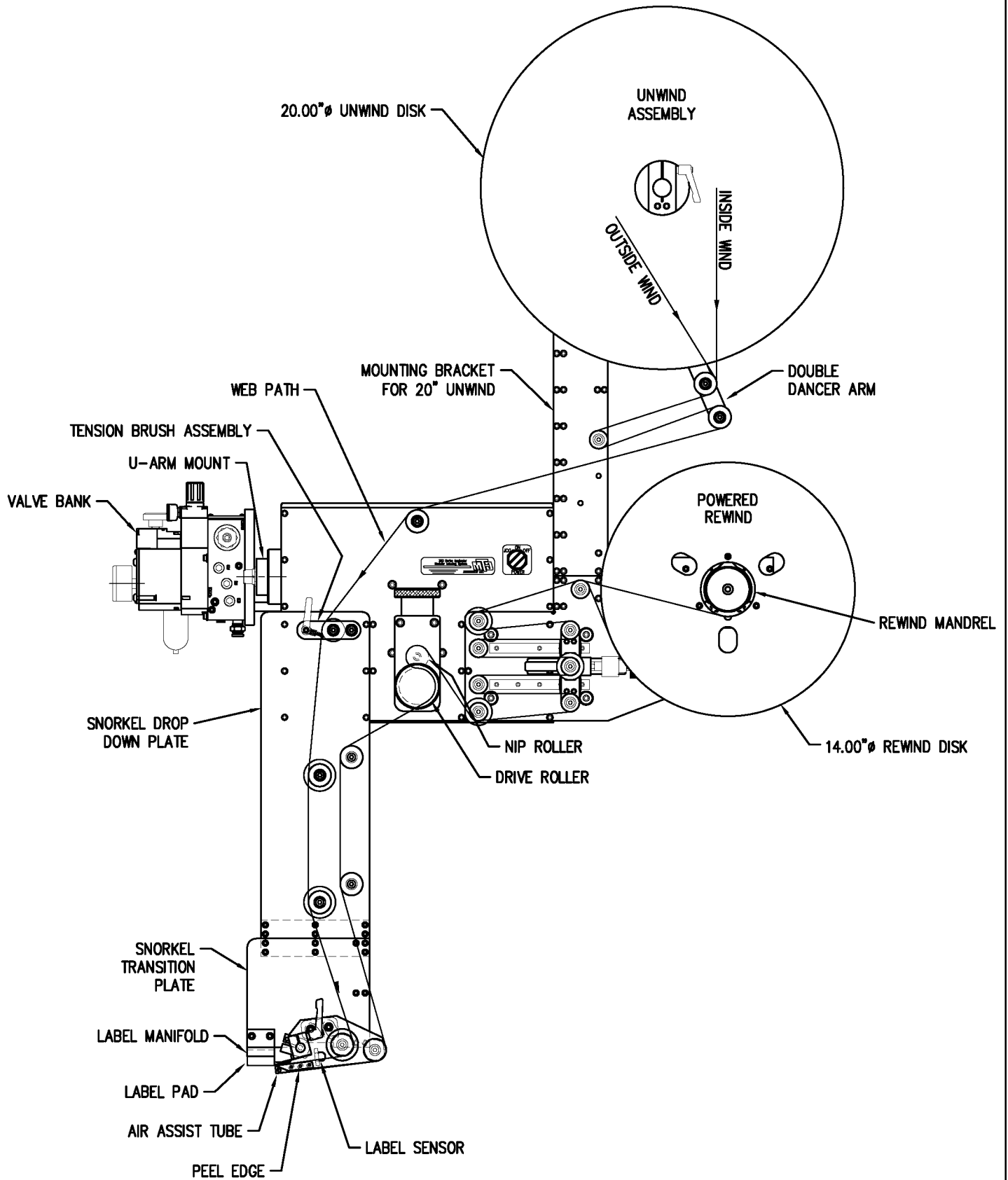
**WEB PATH DIAGRAM**  
**360 SERIES LEFT HAND 12" DROP DOWN RVB APPLICATOR**  
**WITH 20" UNWIND & POWERED REWIND**



**WEB PATH DIAGRAM**  
**360 SERIES LEFT HAND 12" DROP DOWN RVB APPLICATOR**  
**WITH 20" UNWIND & POWERED REWIND**

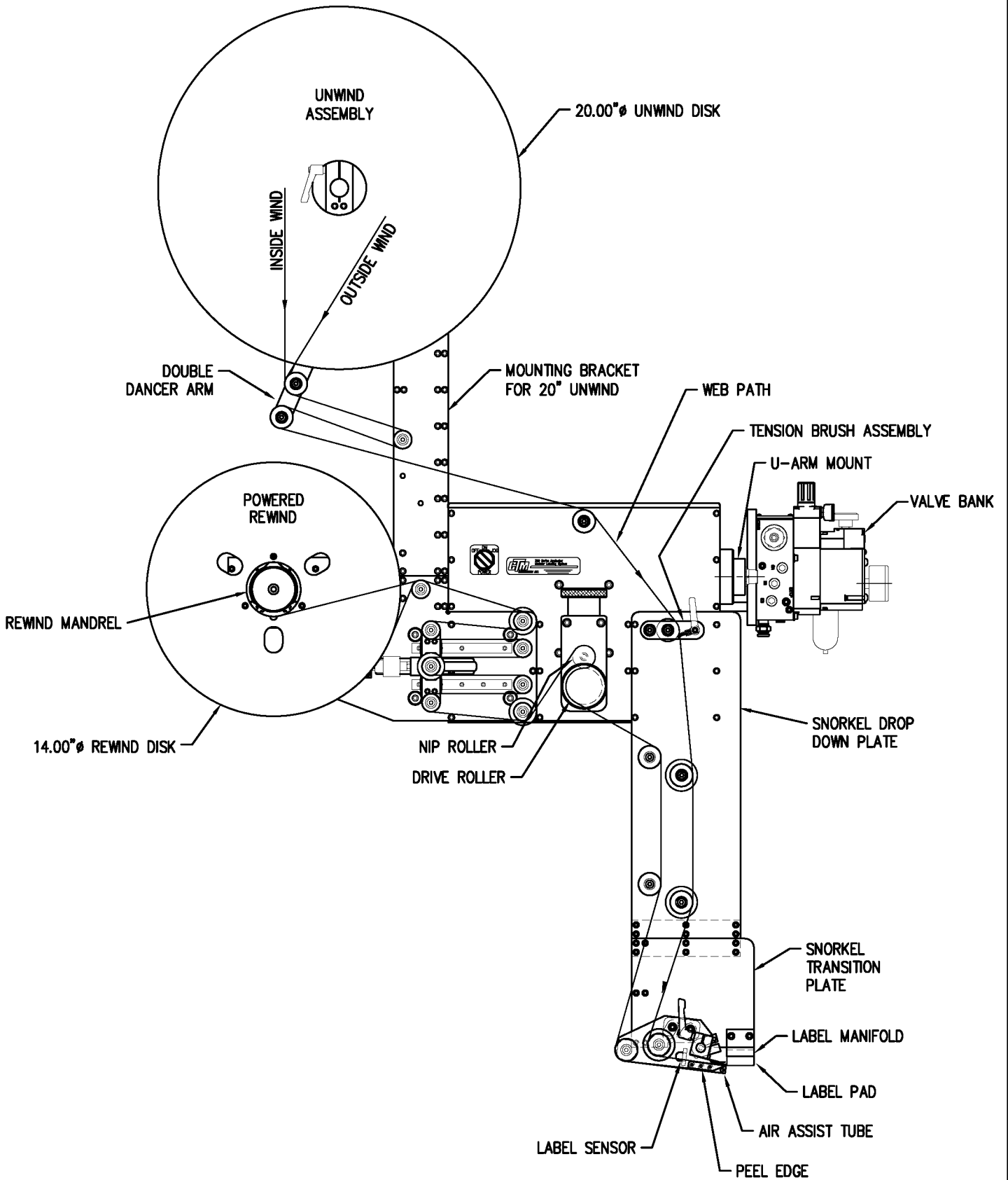


**WEB PATH DIAGRAM**  
**360 SERIES LEFT HAND 18"/24" DROP DOWN RVB APPLICATOR**  
**WITH 20" UNWIND & POWERED REWIND**



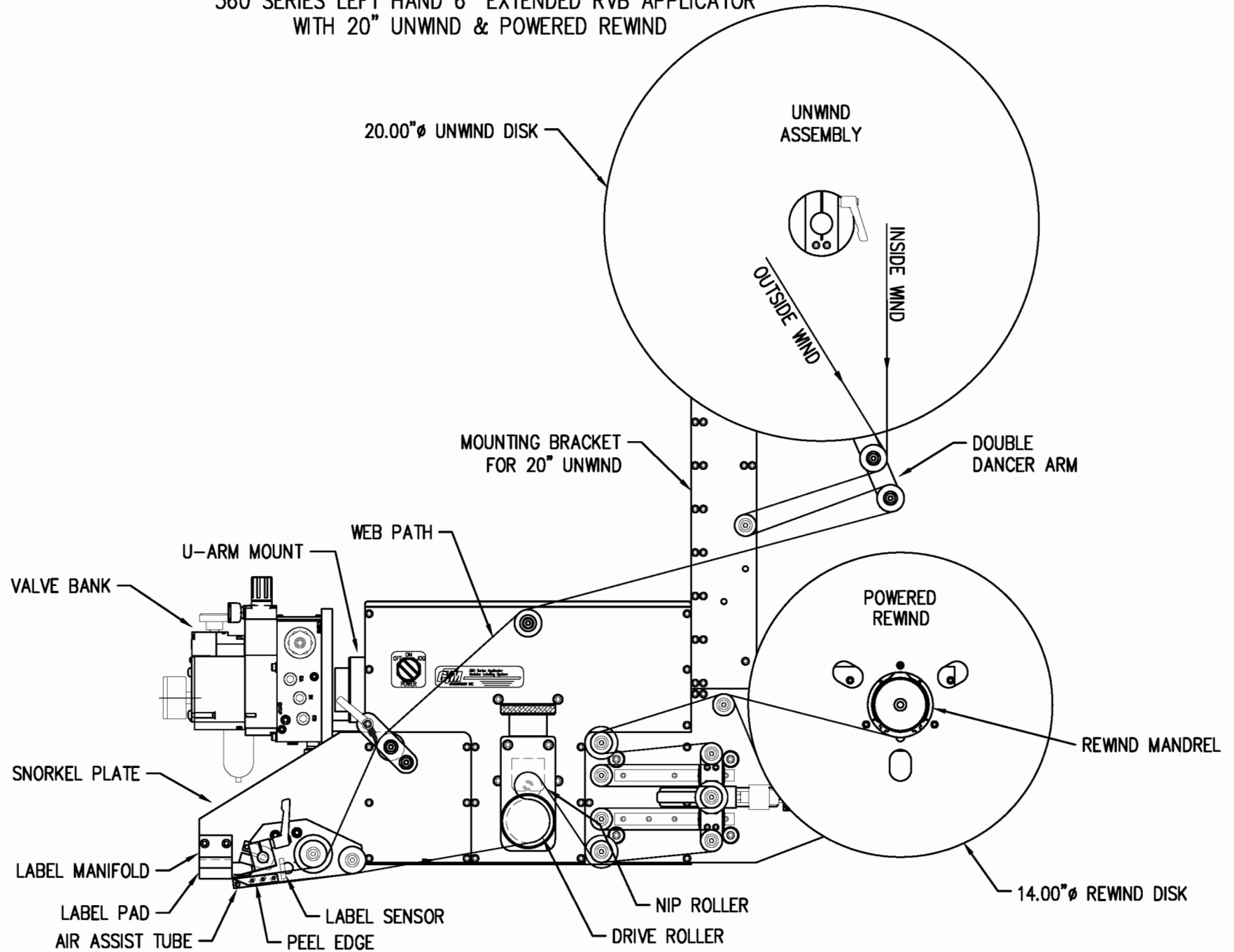
**NOTE: 18" SNORKEL SHOWN**

**WEB PATH DIAGRAM**  
**360 SERIES LEFT HAND 18"/24" DROP DOWN RVB APPLICATOR**  
**WITH 20" UNWIND & POWERED REWIND**



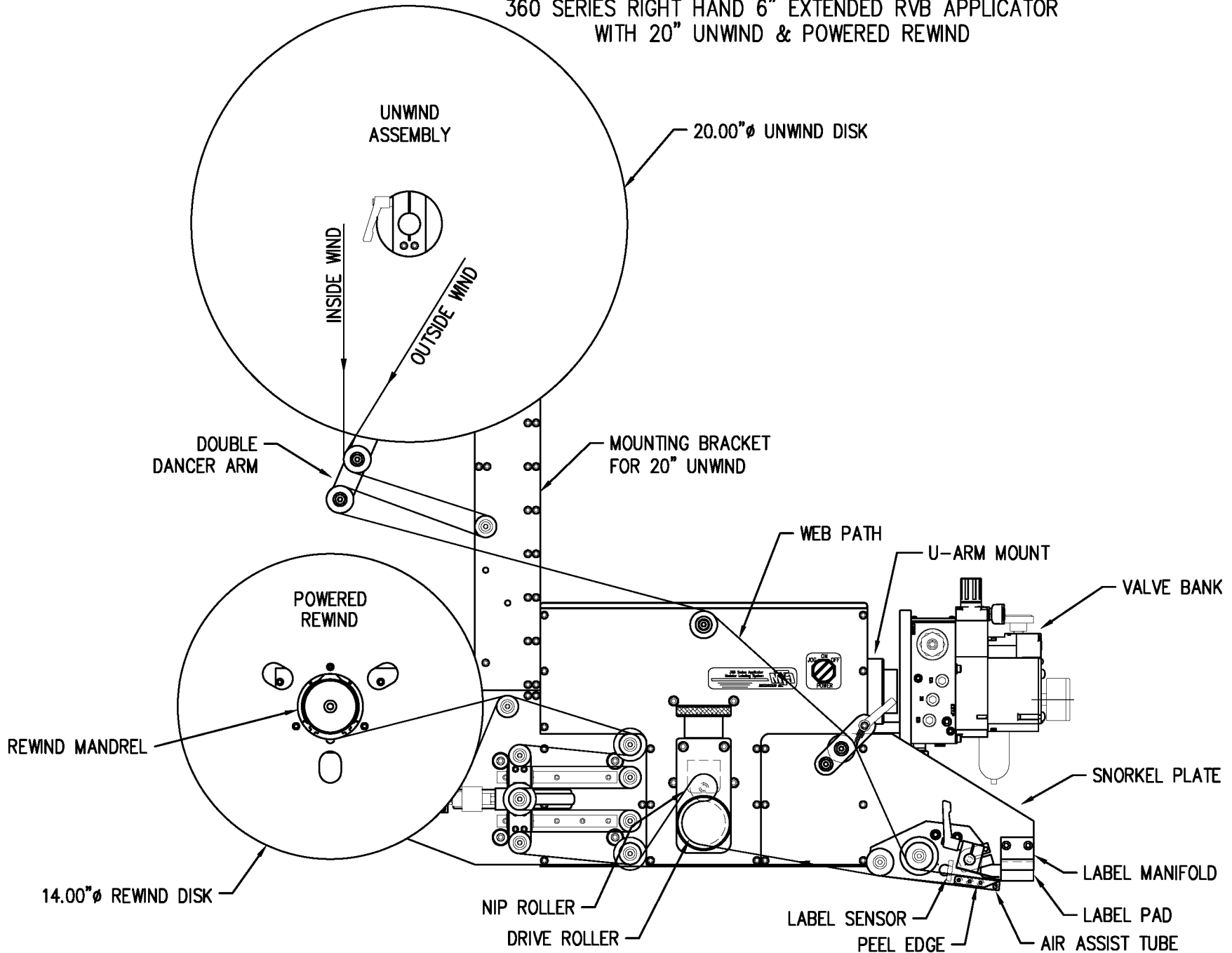
**NOTE: 18" SNORKEL SHOWN**

WEB PATH DIAGRAM  
360 SERIES LEFT HAND 6" EXTENDED RVB APPLICATOR  
WITH 20" UNWIND & POWERED REWIND



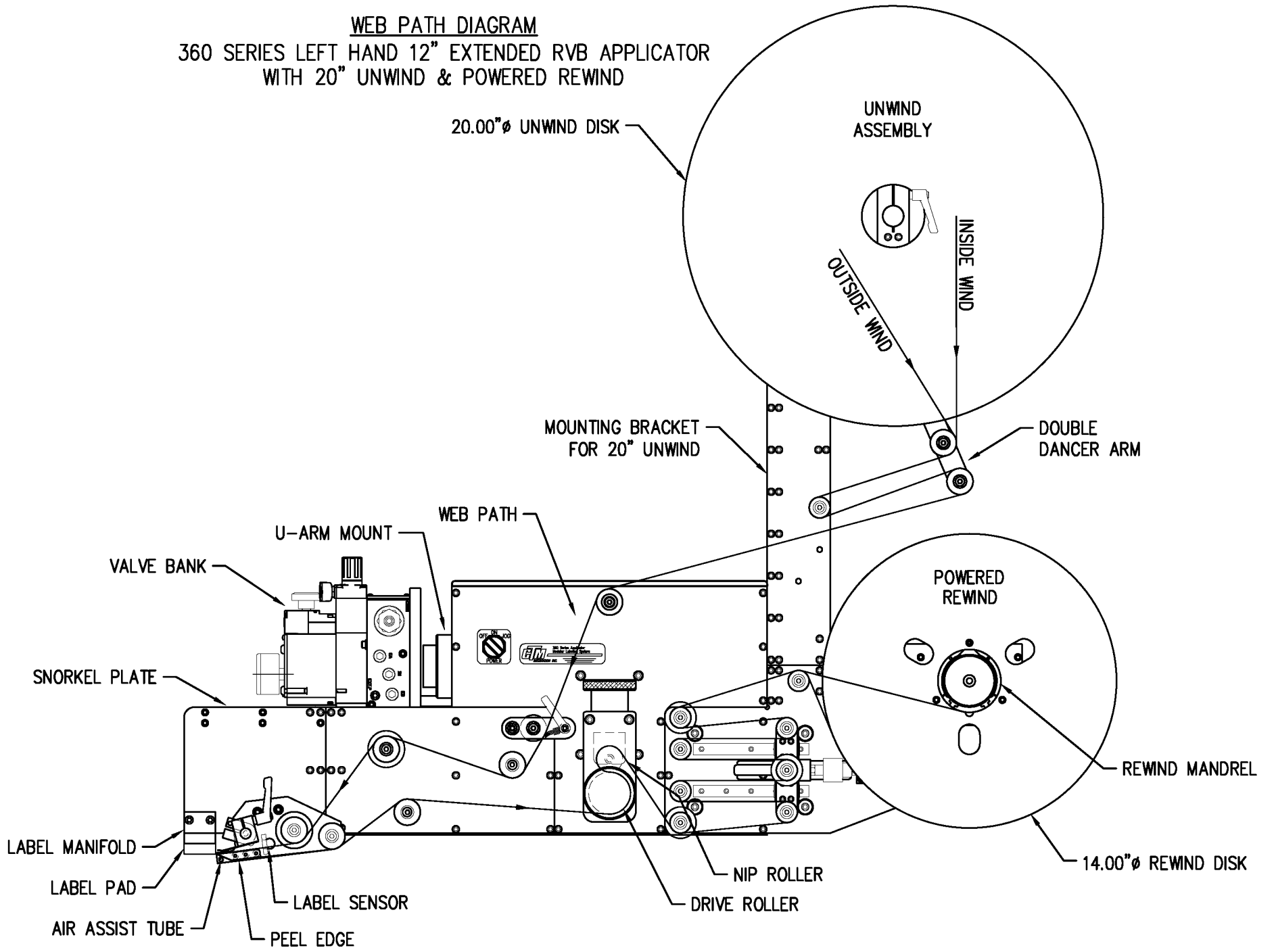
WEB PATH DIAGRAM

360 SERIES RIGHT HAND 6" EXTENDED RVB APPLICATOR  
WITH 20" UNWIND & POWERED REWIND



WEB PATH DIAGRAM

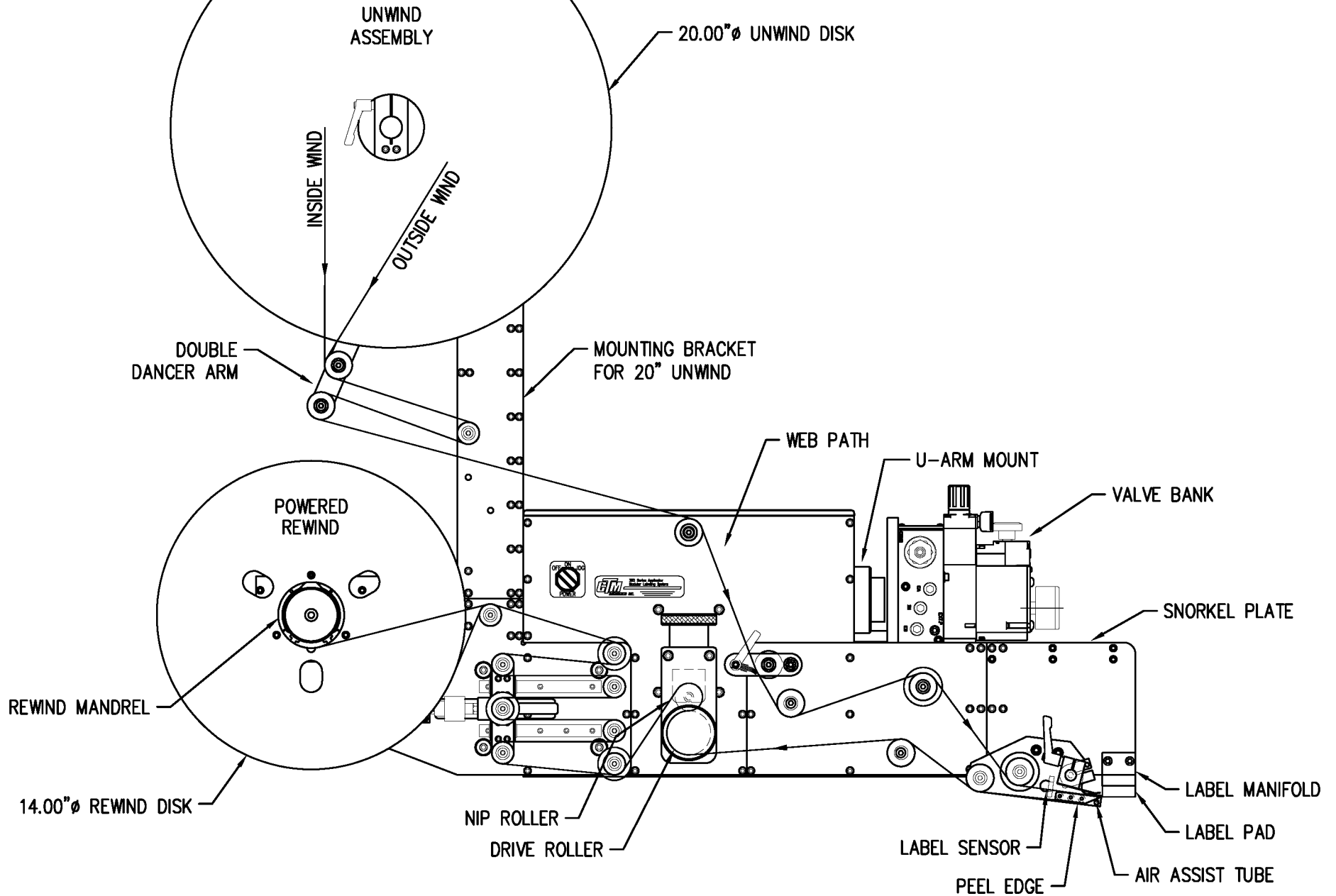
360 SERIES LEFT HAND 12" EXTENDED RVB APPLICATOR  
WITH 20" UNWIND & POWERED REWIND



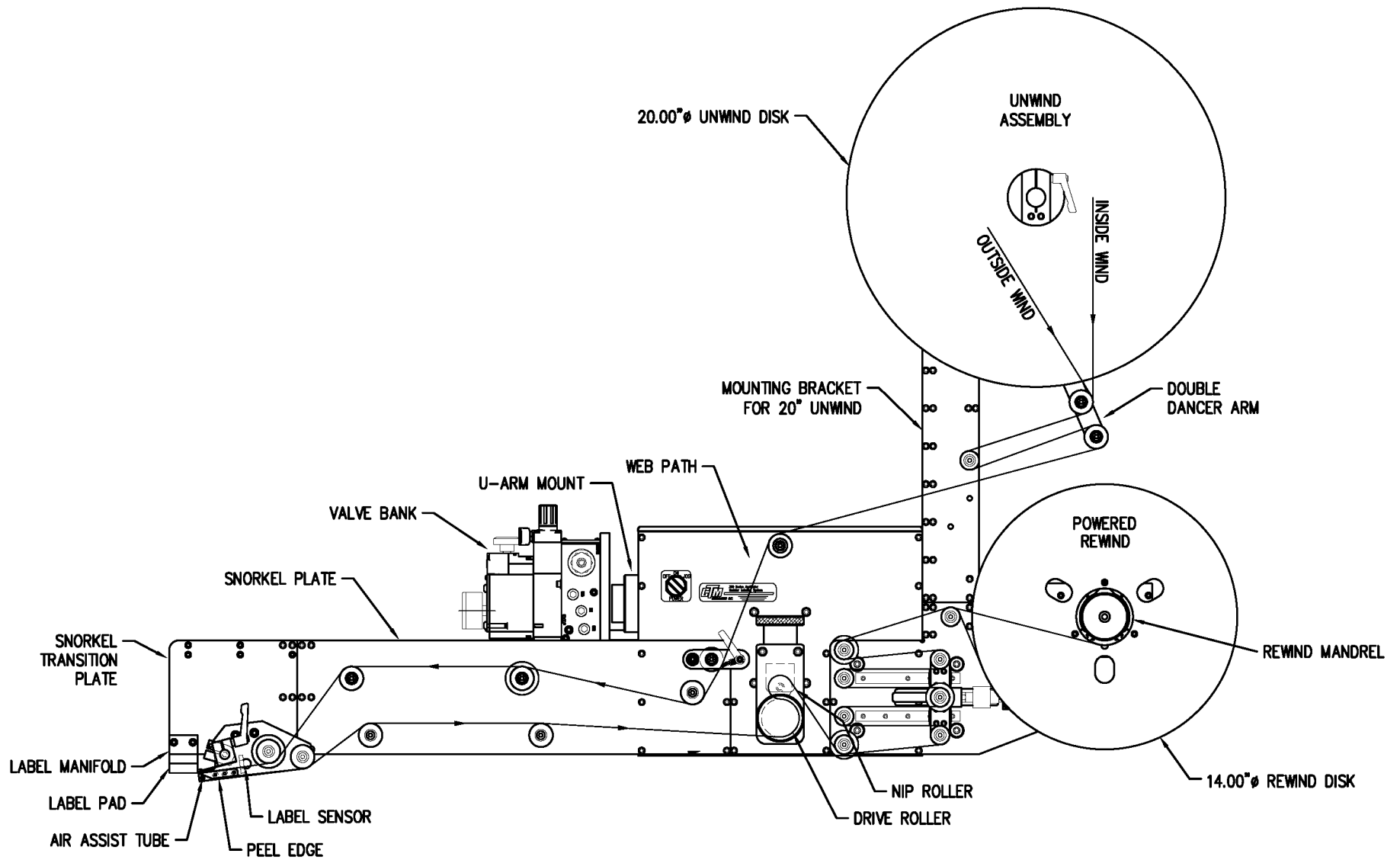


WEB PATH DIAGRAM

360 SERIES RIGHT HAND 12" EXTENDED RVB APPLICATOR  
WITH 20" UNWIND & POWERED REWIND

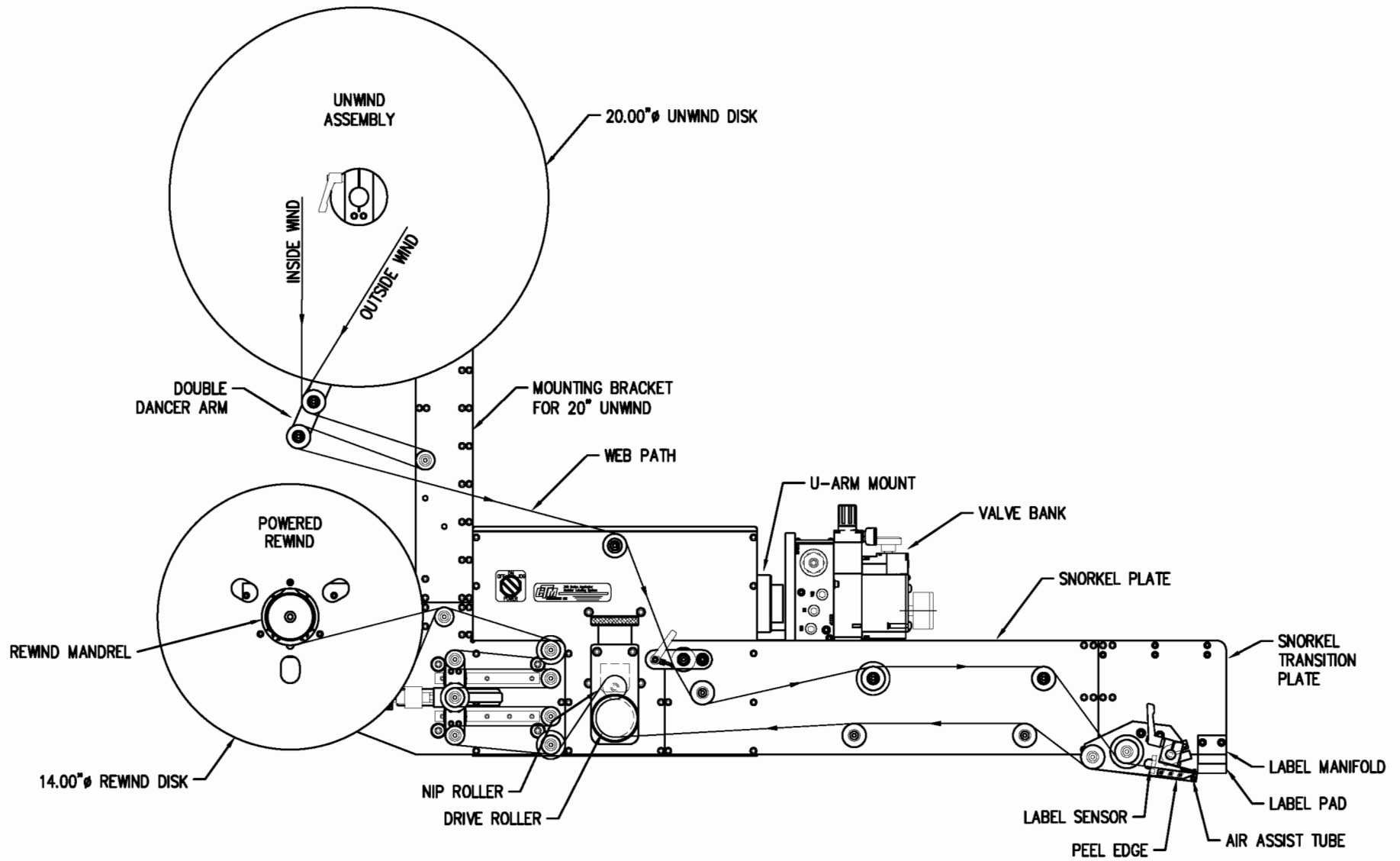


WEB PATH DIAGRAM  
360 SERIES LEFT HAND 18/24" EXTENDED RVB APPLICATOR  
WITH 20" UNWIND & POWERED REWIND



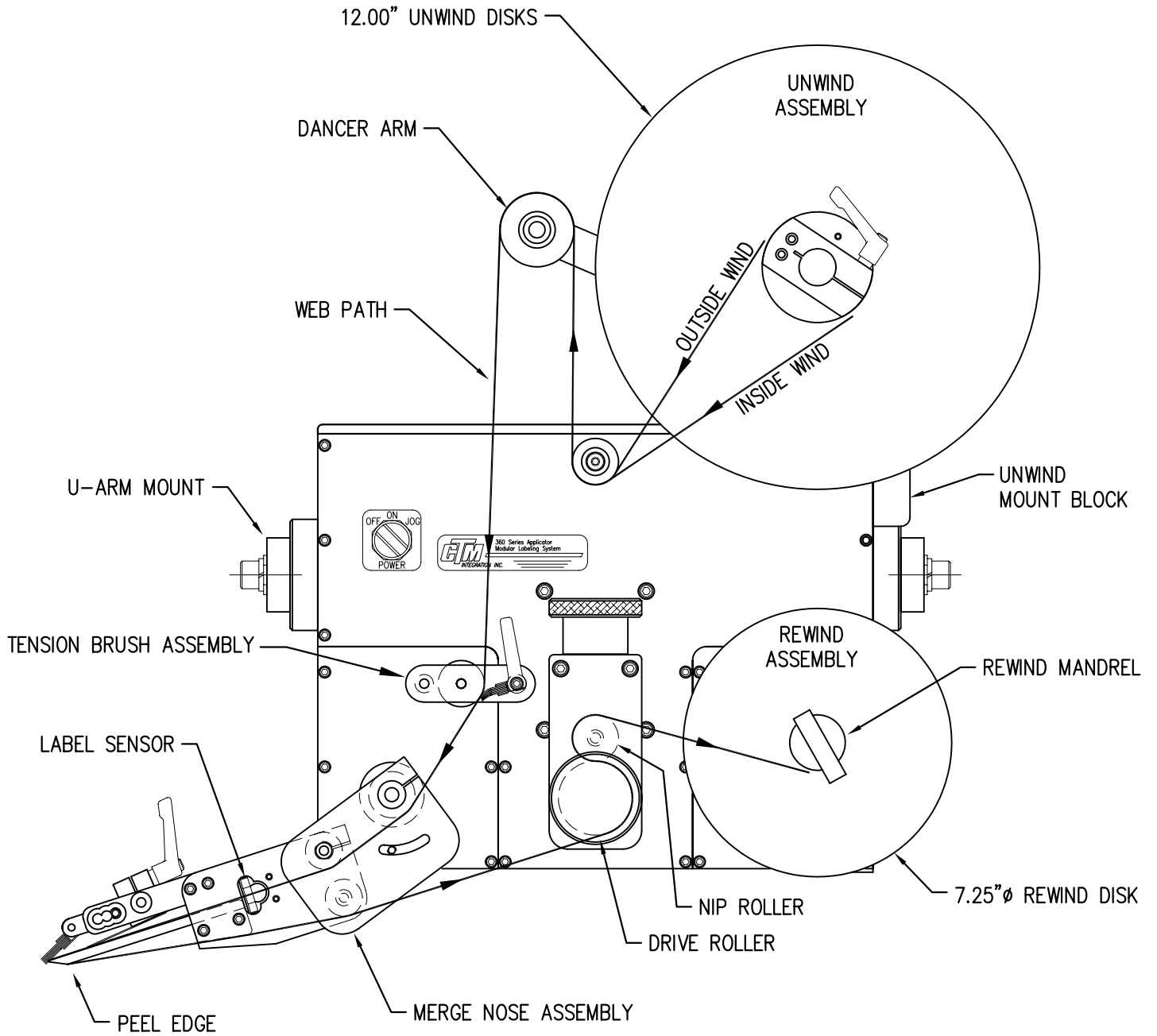
NOTE: 18" SNORKEL SHOWN

WEB PATH DIAGRAM  
 360 SERIES RIGHT HAND 18/24" EXTENDED RVB APPLICATOR  
 WITH 20" UNWIND & POWERED REWIND

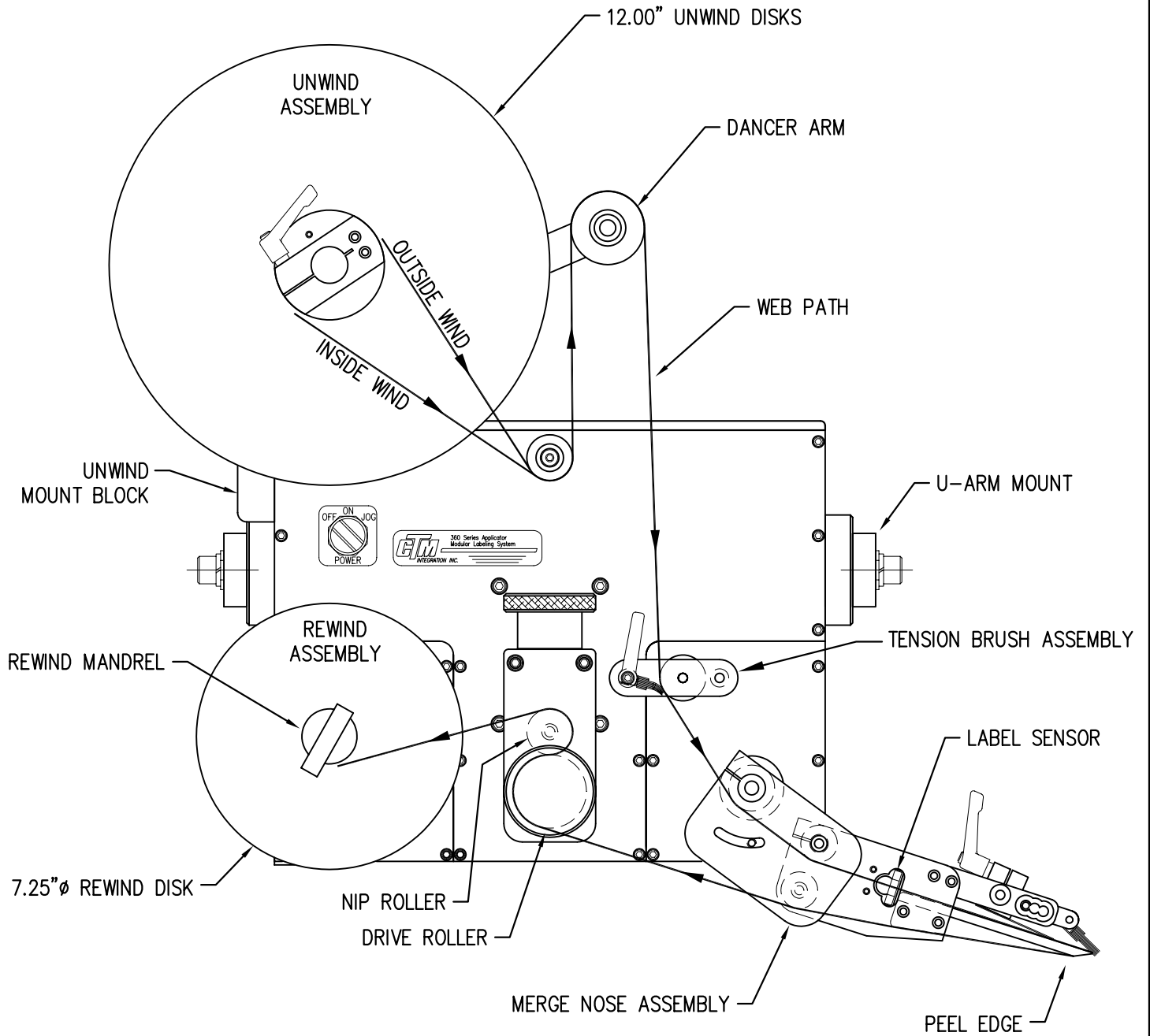


NOTE: 18" SNORKEL SHOWN

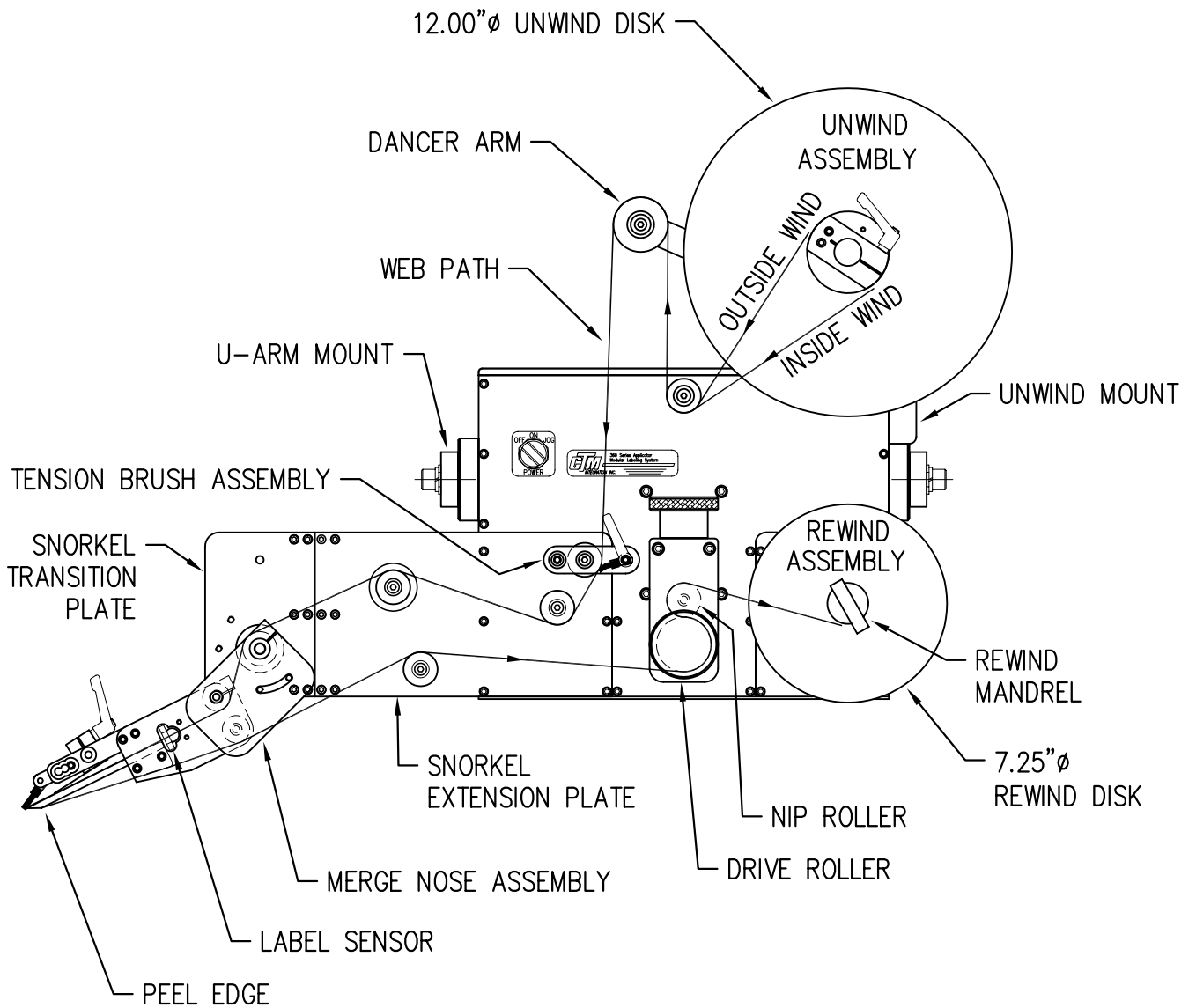
WEB PATH DIAGRAM  
360 SERIES LEFT HAND MERGE APPLICATOR  
WITH 12" UNWIND



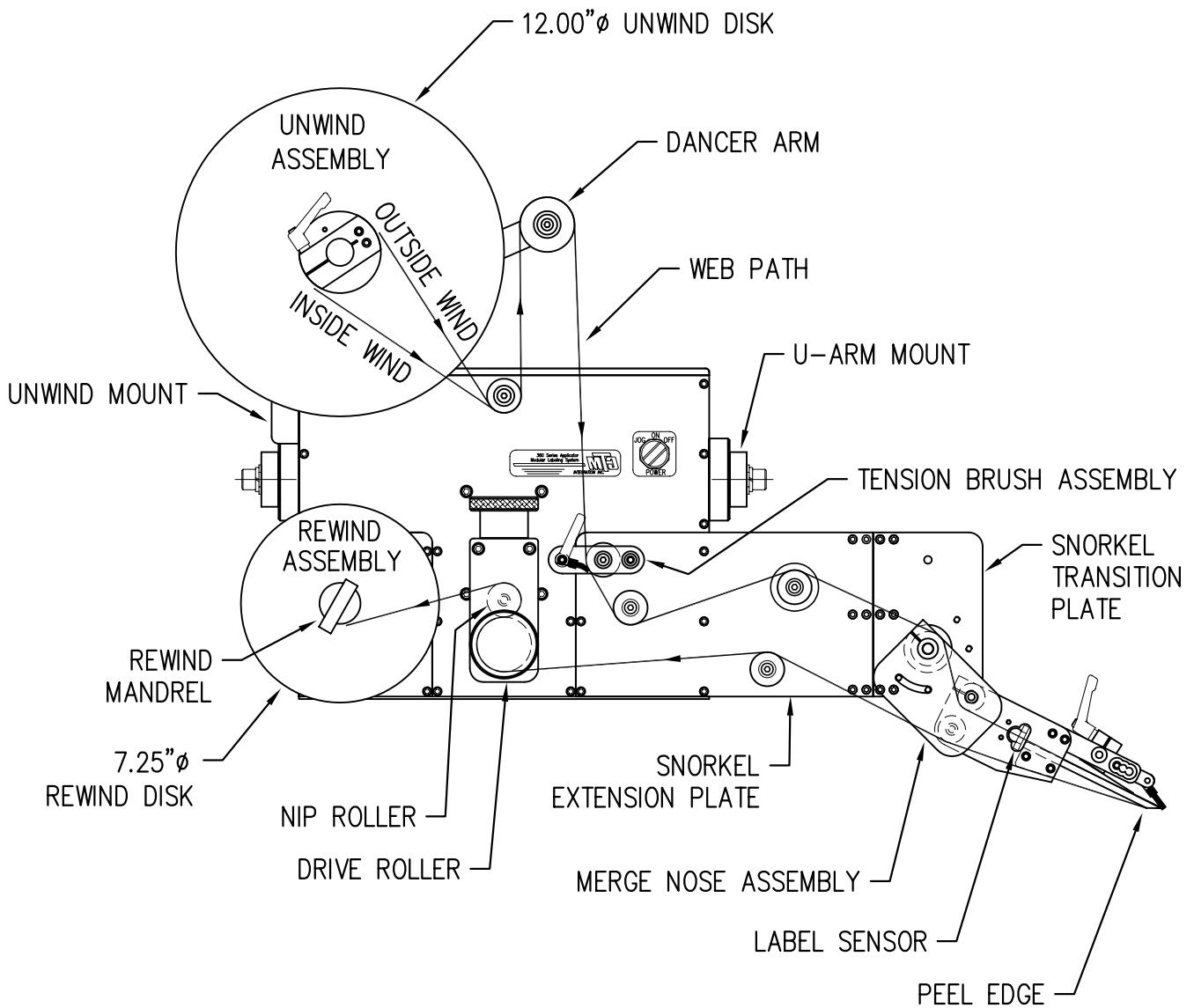
WEB PATH DIAGRAM  
360 SERIES RIGHT HAND MERGE APPLICATOR  
WITH 12" UNWIND



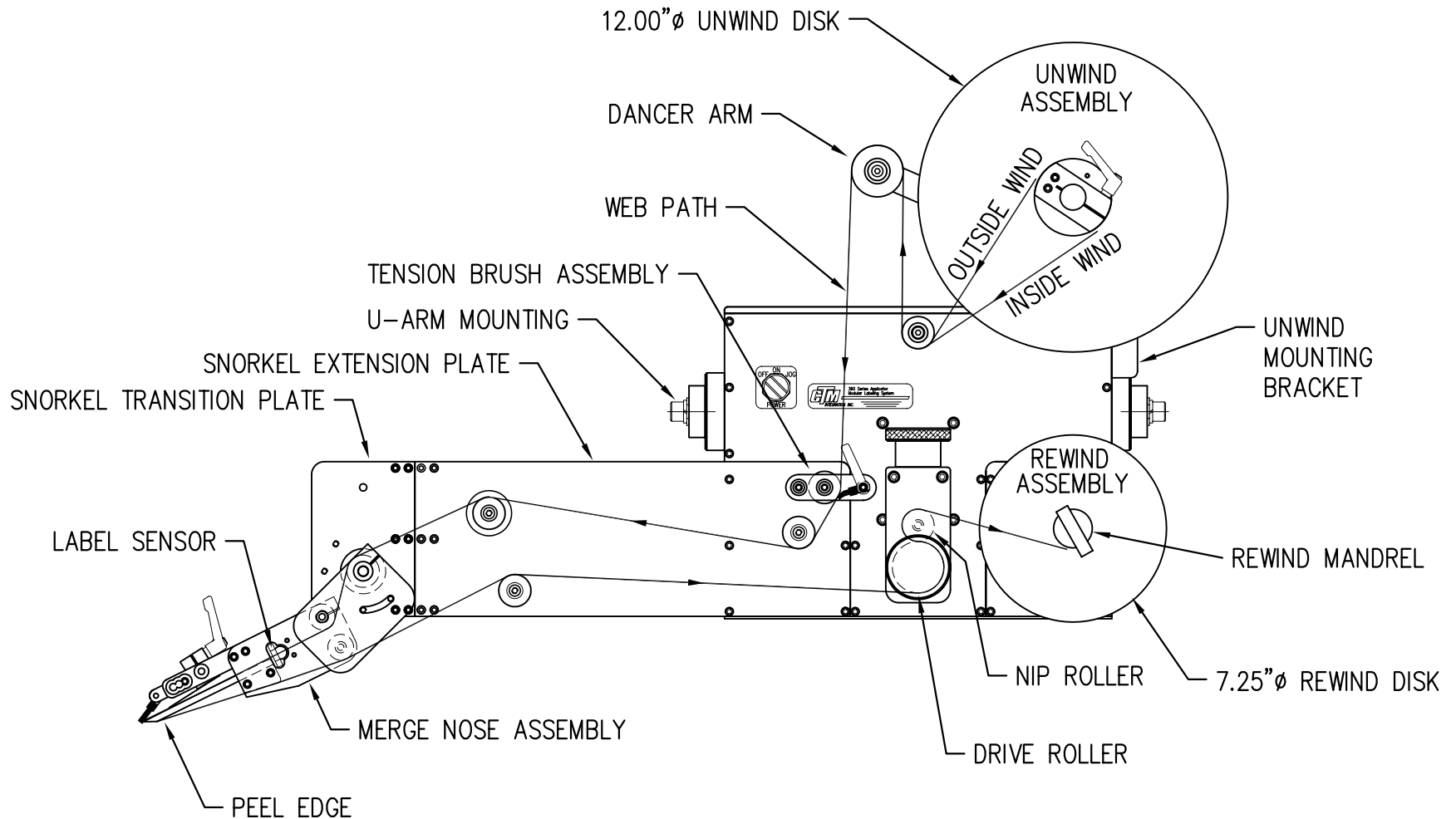
WEB PATH DIAGRAM  
360 SERIES LEFT HAND 12" EXTENDED MERGE APPLICATOR  
WITH 12.00" UNWIND



WEB PATH DIAGRAM  
360 SERIES RIGHT HAND 12" EXTENDED MERGE APPLICATOR  
WITH 12.00" UNWIND

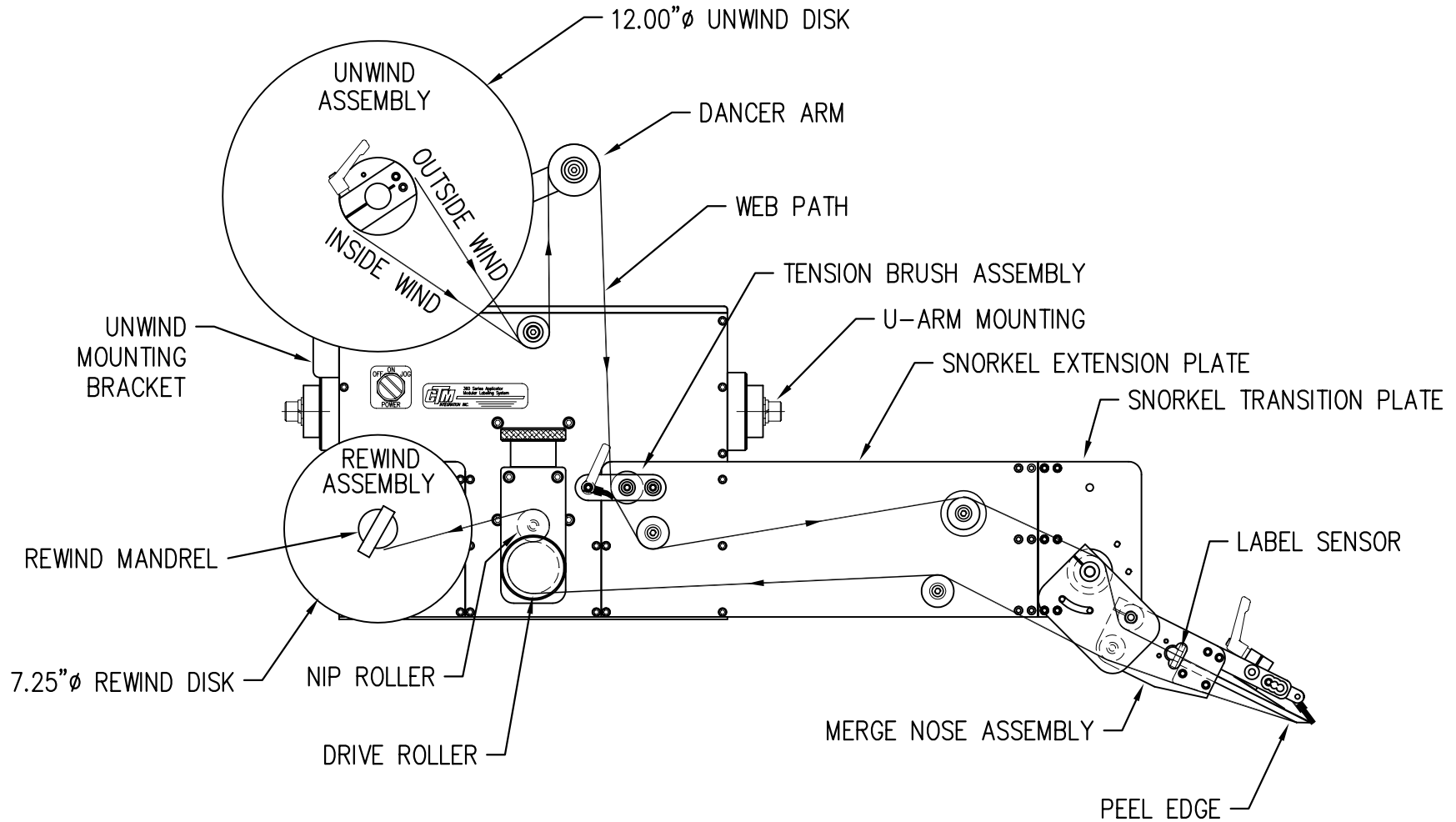


WEB PATH DIAGRAM  
360 SERIES LEFT HAND 18" EXTENDED MERGE APPLICATOR  
WITH 12.00" UNWIND

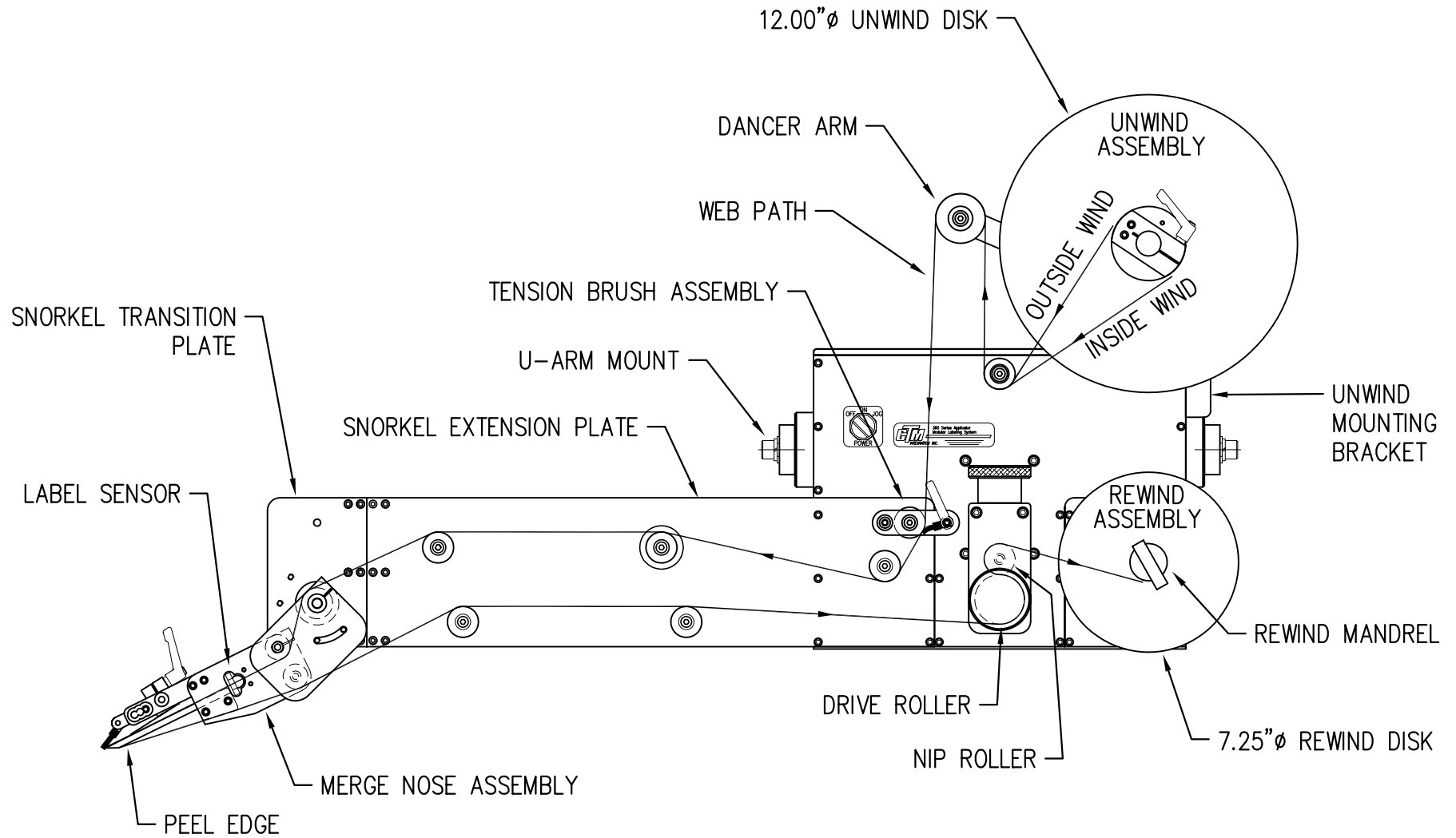




WEB PATH DIAGRAM  
360 SERIES RIGHT HAND 18" EXTENDED MERGE APPLICATOR  
WITH 12.00" UNWIND

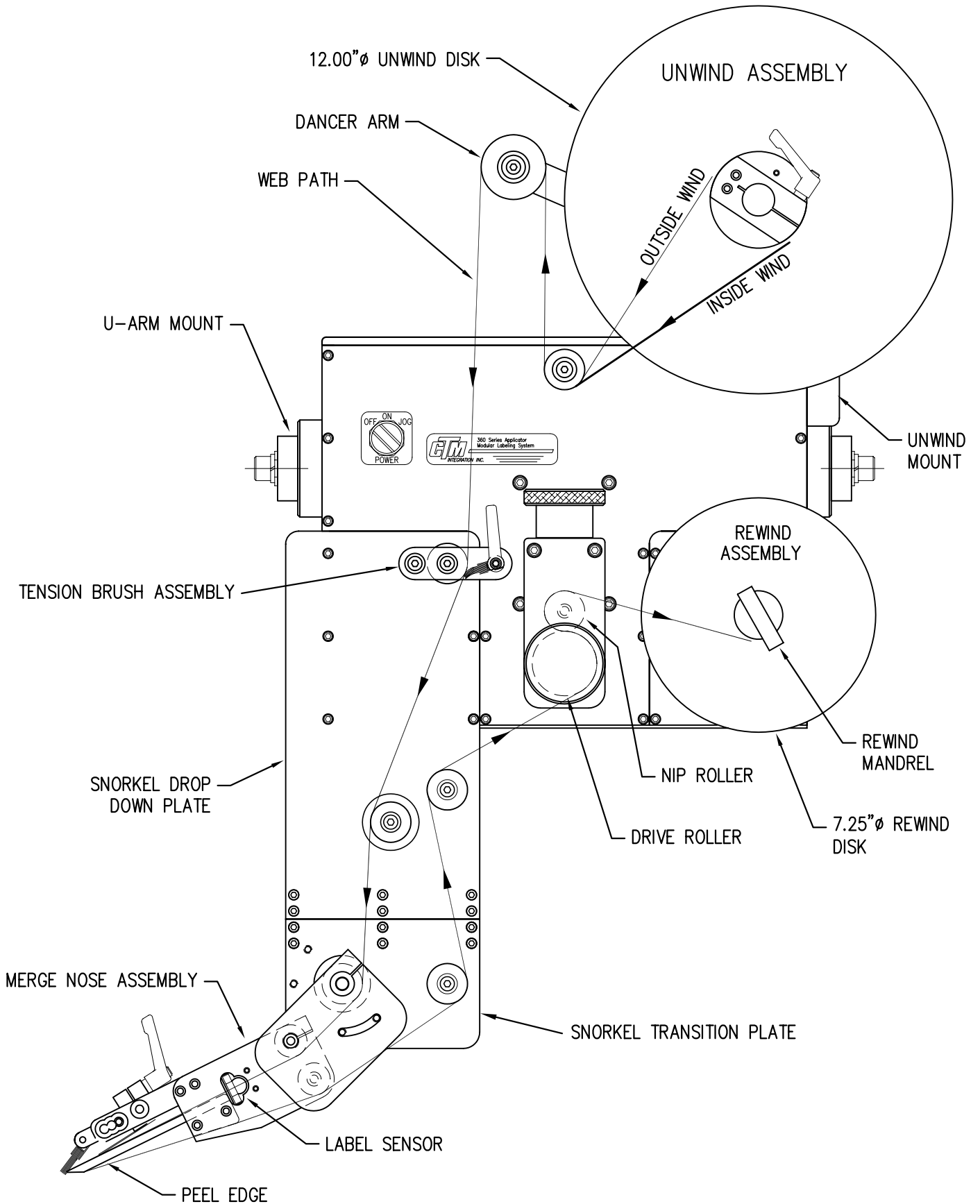


WEB PATH DIAGRAM  
360 SERIES LEFT HAND 24" EXTENDED MERGE APPLICATOR  
WITH 12.00" UNWIND

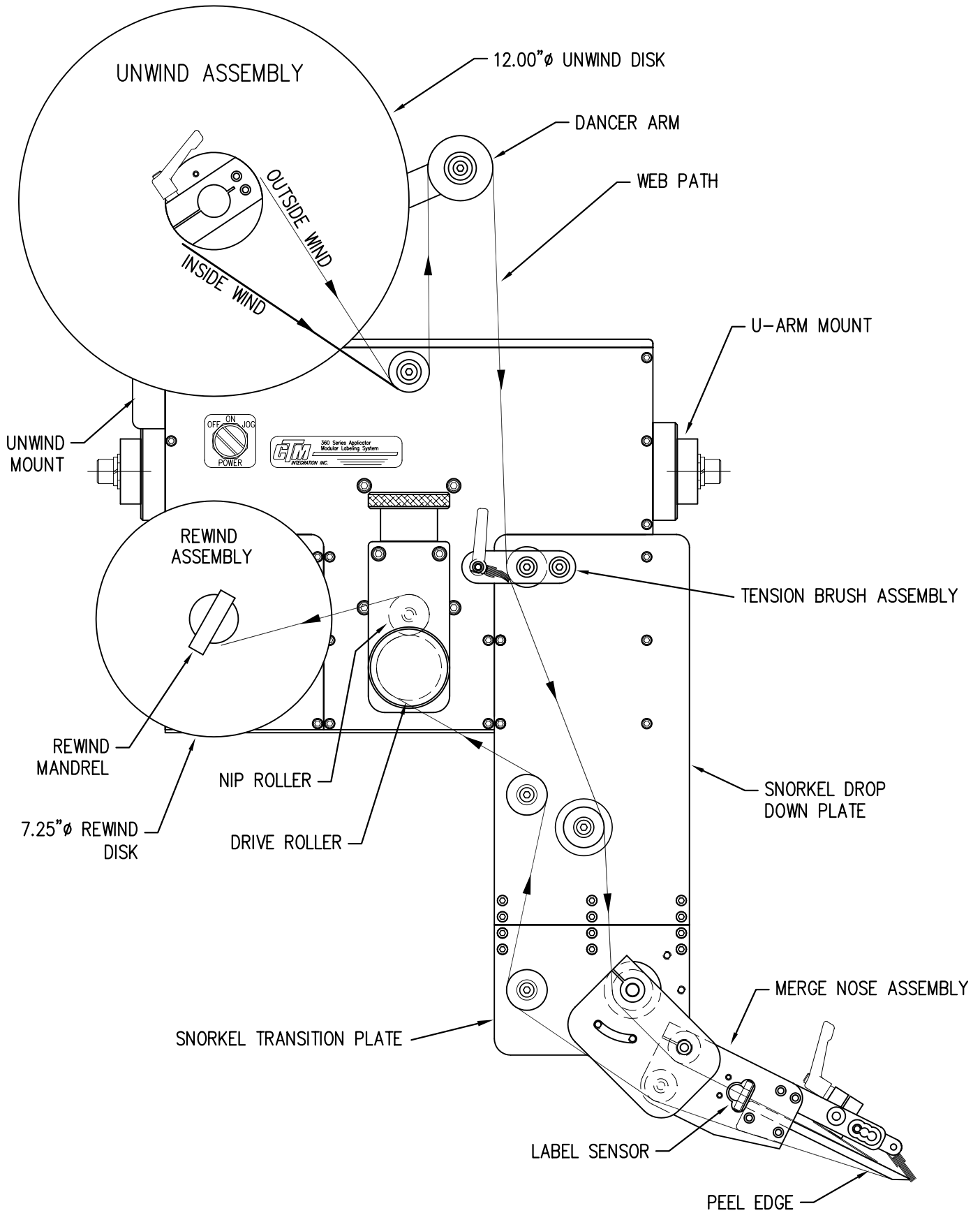




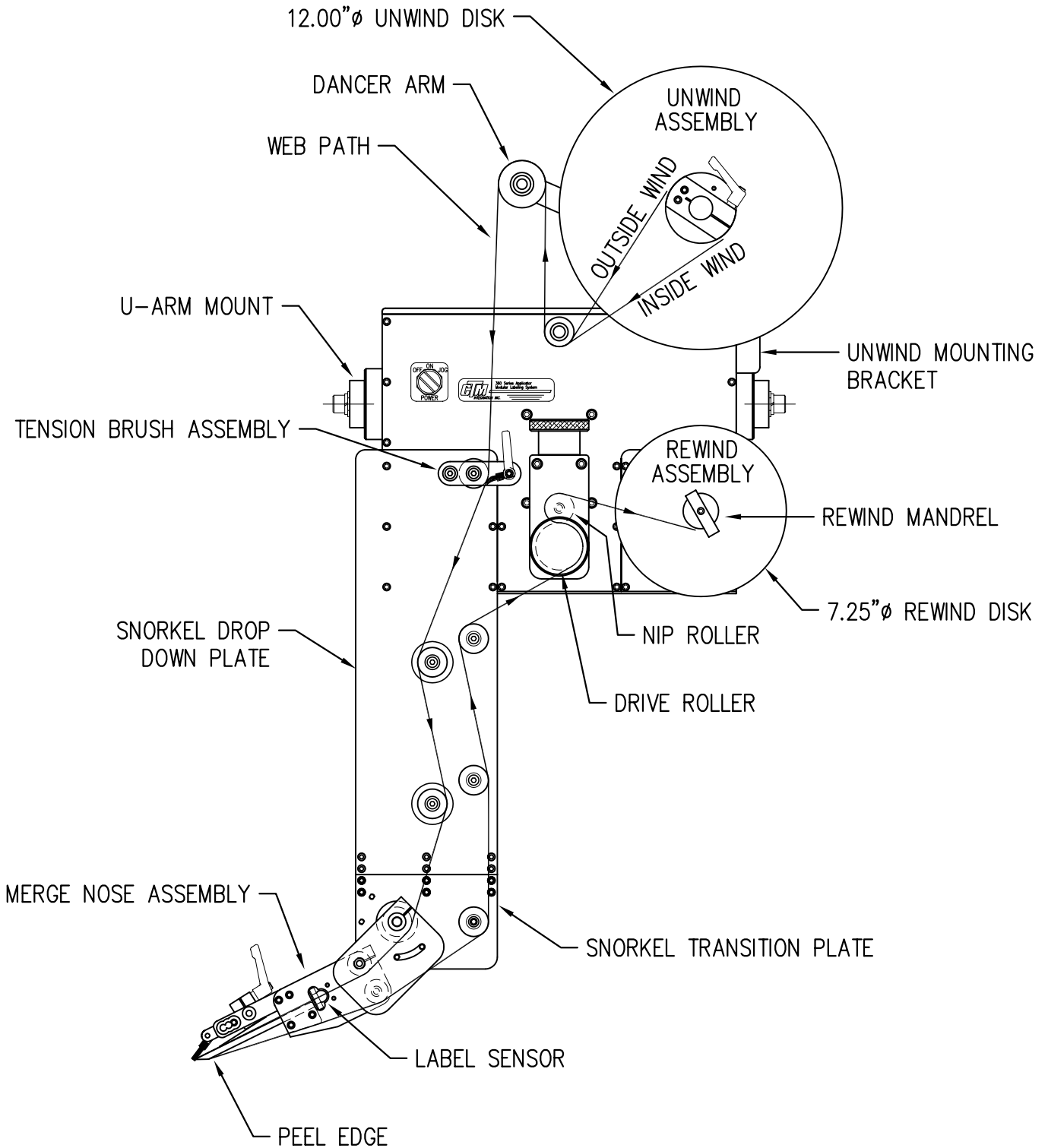
WEB PATH DIAGRAM  
360 SERIES LEFT HAND 12" DROP DOWN MERGE APPLICATOR  
WITH 12" UNWIND



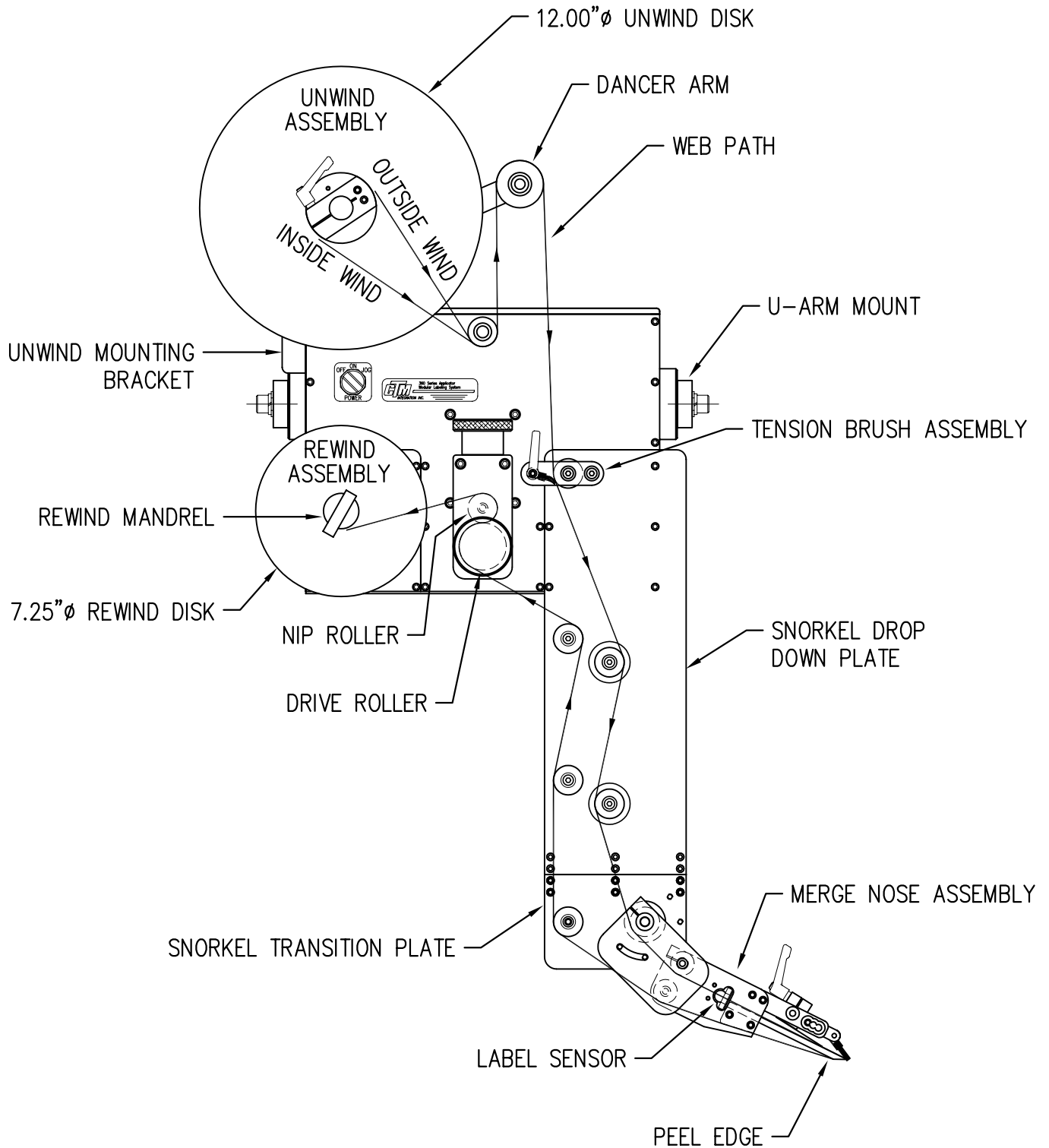
WEB PATH DIAGRAM  
 360 SERIES RIGHT HAND 12" DROP DOWN MERGE APPLICATOR  
 WITH 12" UNWIND



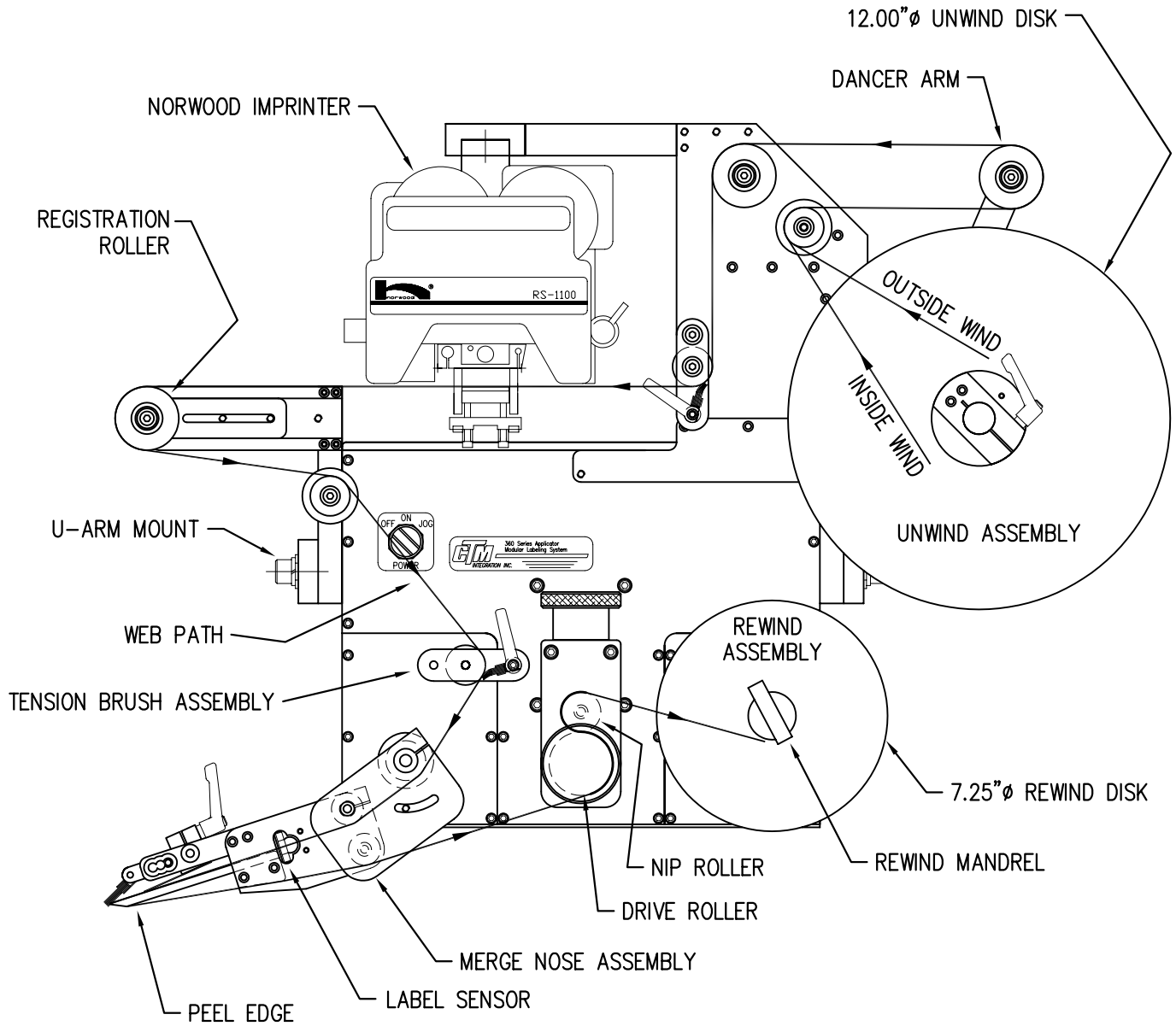
WEB PATH DIAGRAM  
360 SERIES LEFT HAND 18"/24" DROP DOWN MERGE APPLICATOR  
WITH 12.00" UNWIND



WEB PATH DIAGRAM  
360 SERIES RIGHT HAND 18"/24" DROP DOWN MERGE APPLICATOR  
WITH 12.00" UNWIND

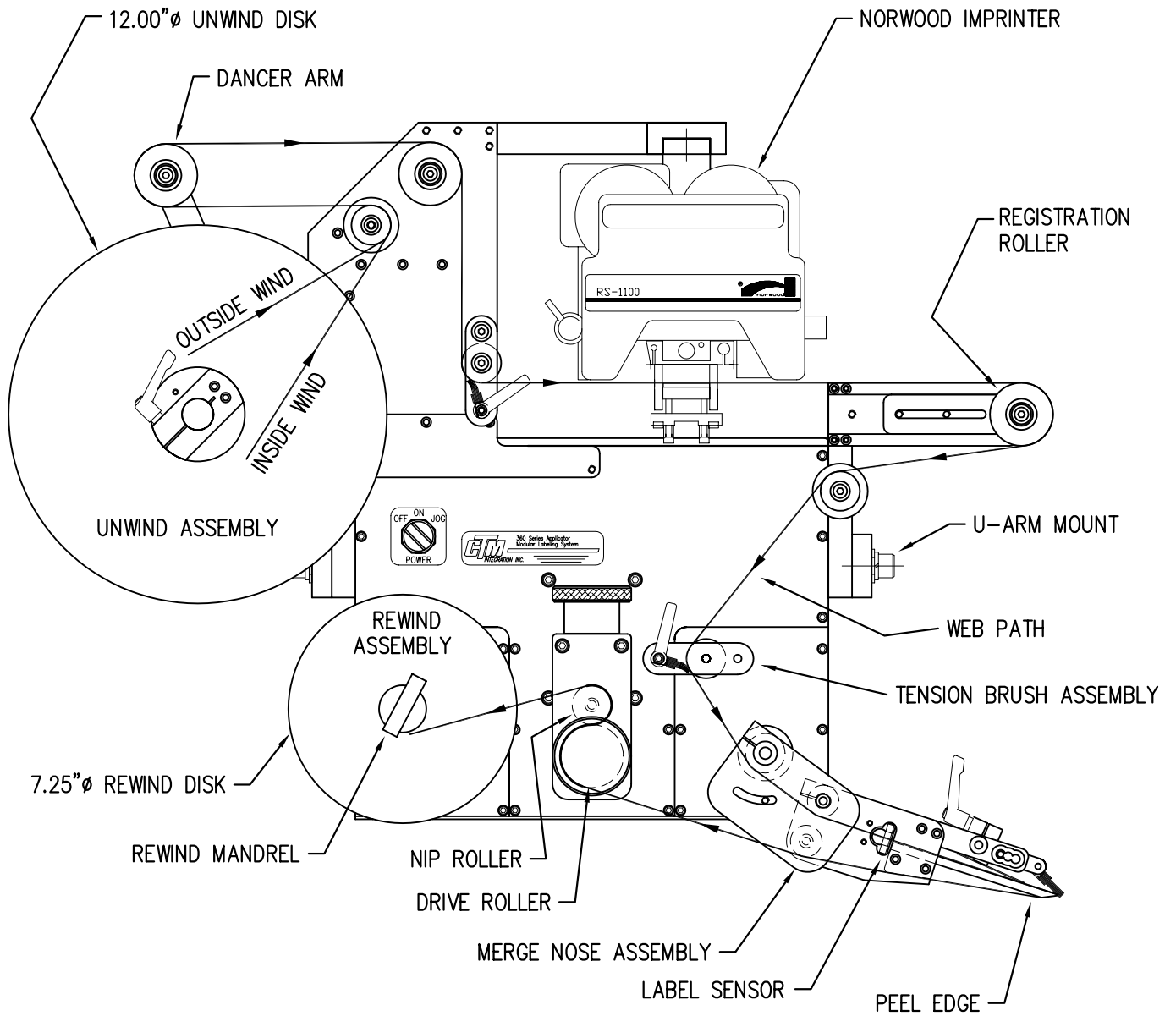


WEB PATH DIAGRAM  
360 SERIES LEFT HAND MERGE APPLICATOR  
WITH NORWOOD IMPRINTER

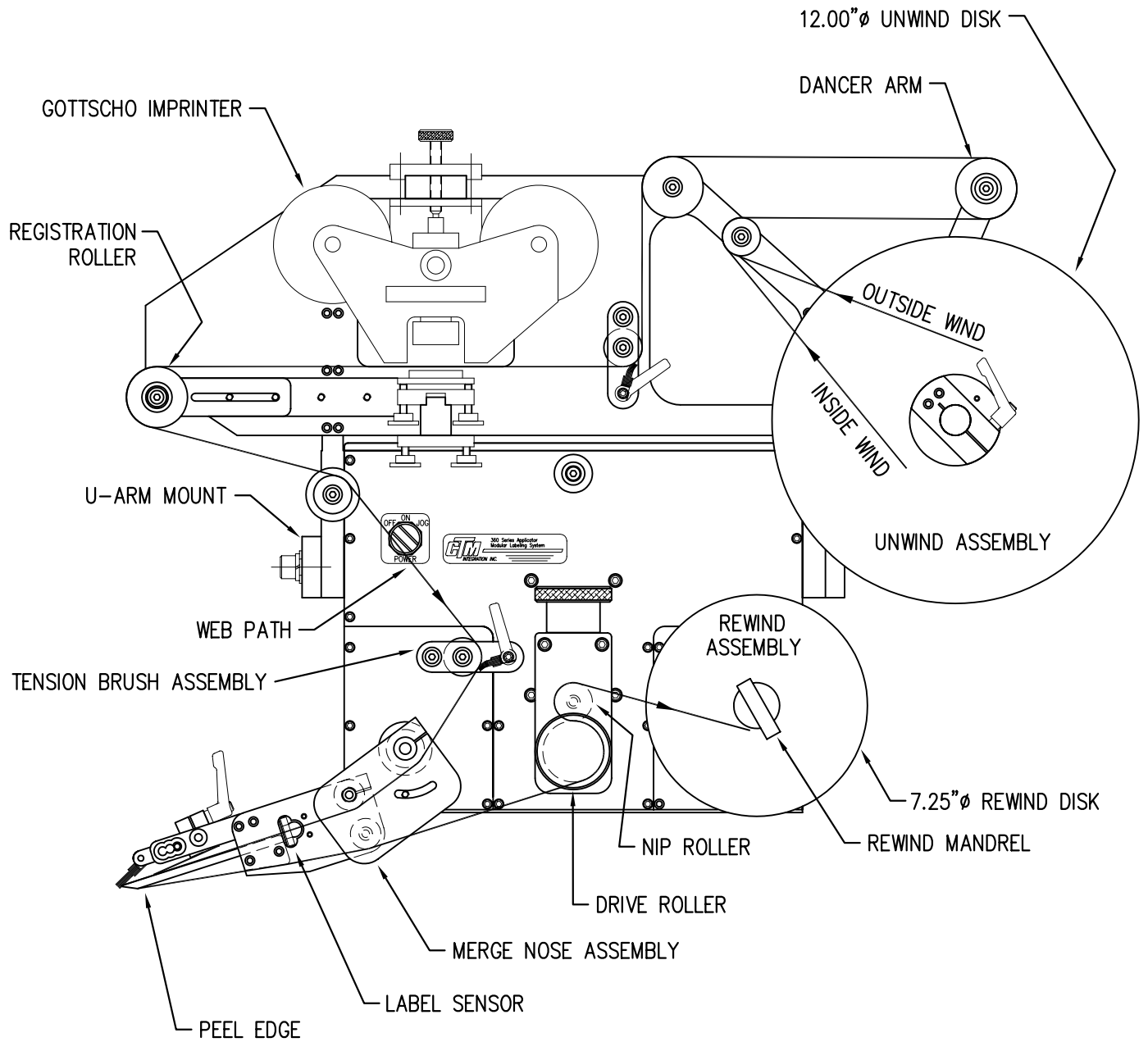




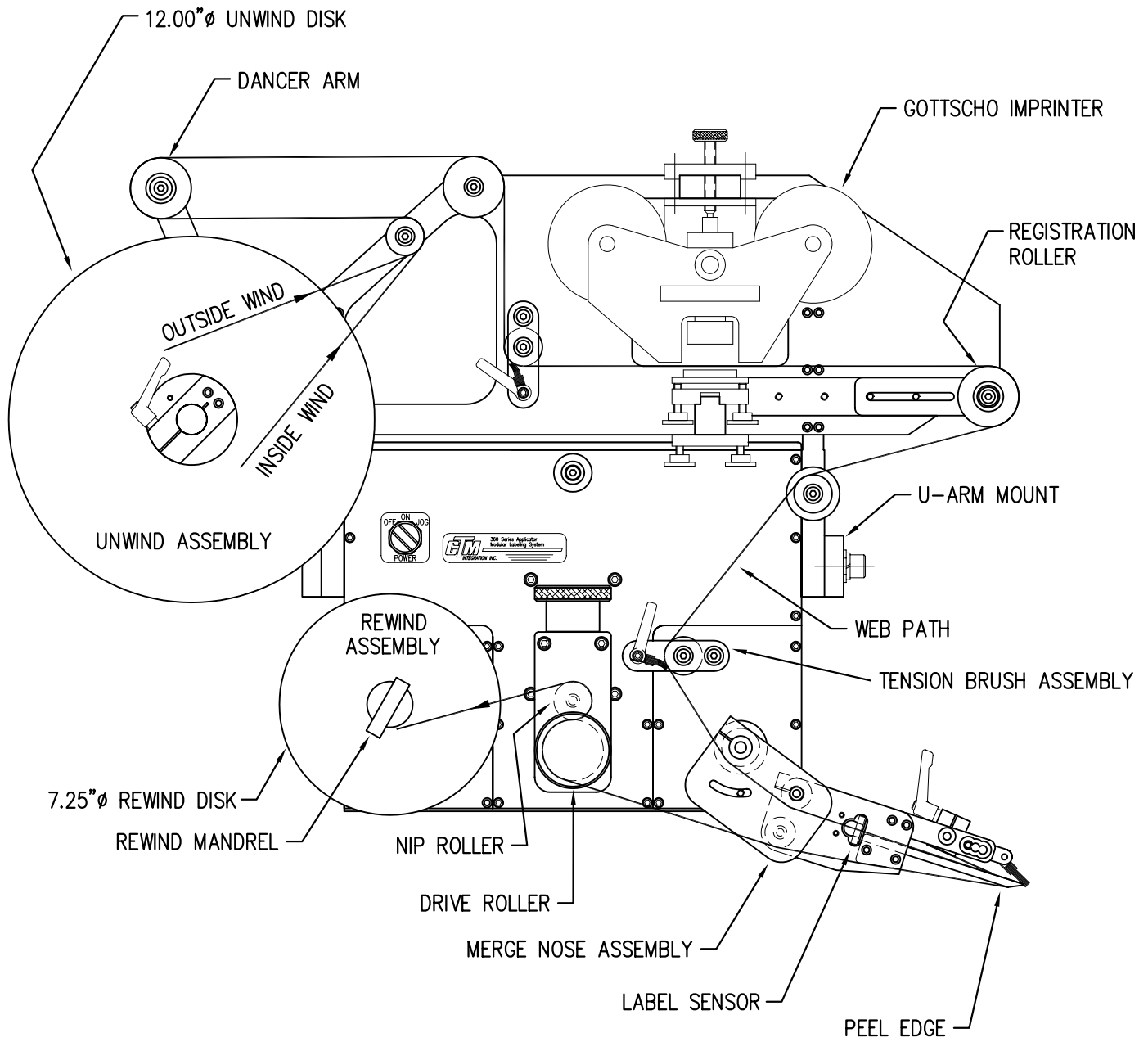
WEB PATH DIAGRAM  
360 SERIES RIGHT HAND MERGE APPLICATOR  
WITH NORWOOD IMPRINTER



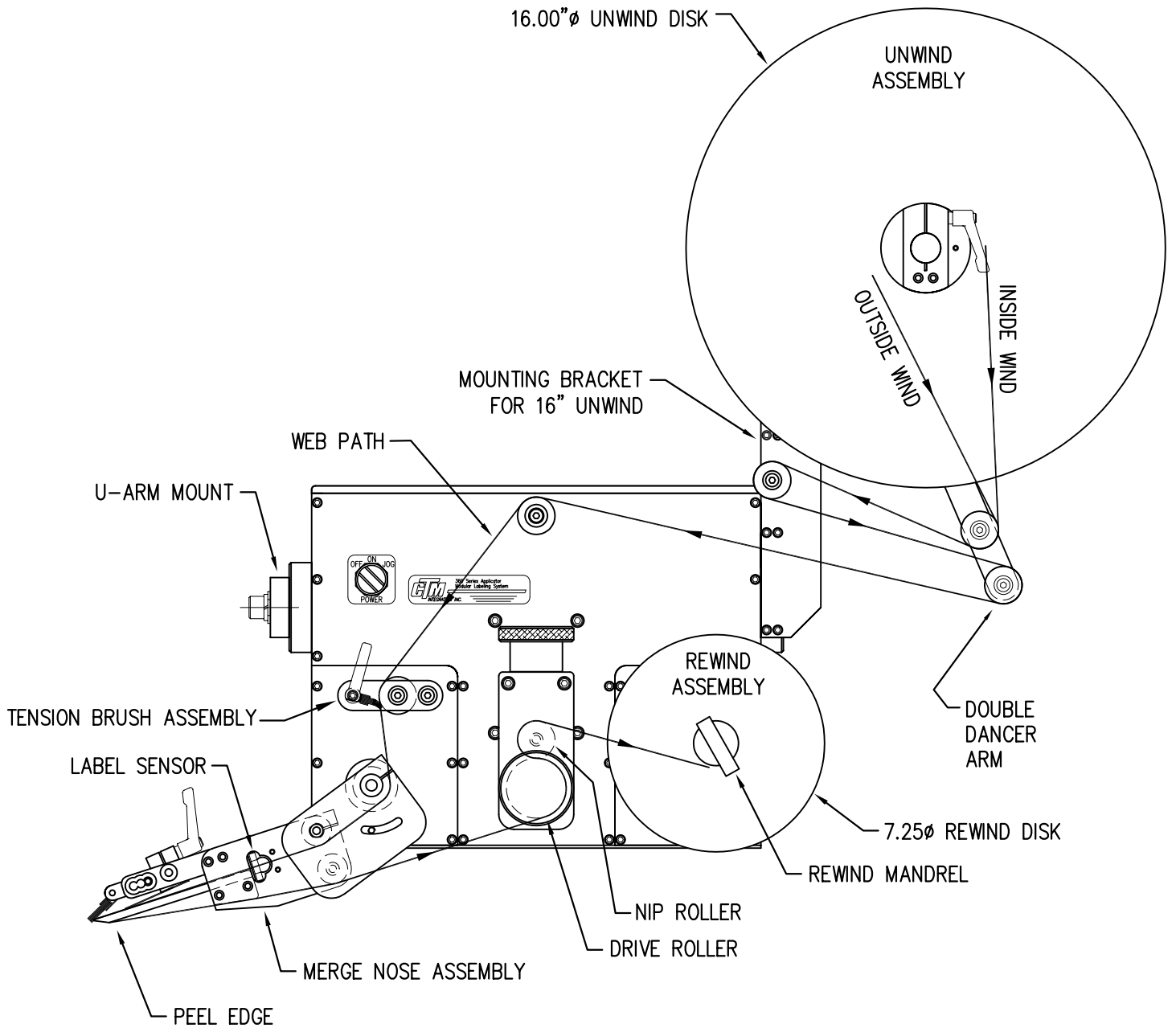
WEB PATH DIAGRAM  
360 SERIES LEFT HAND MERGE APPLICATOR  
WITH GOTTSCHO IMPRINTER



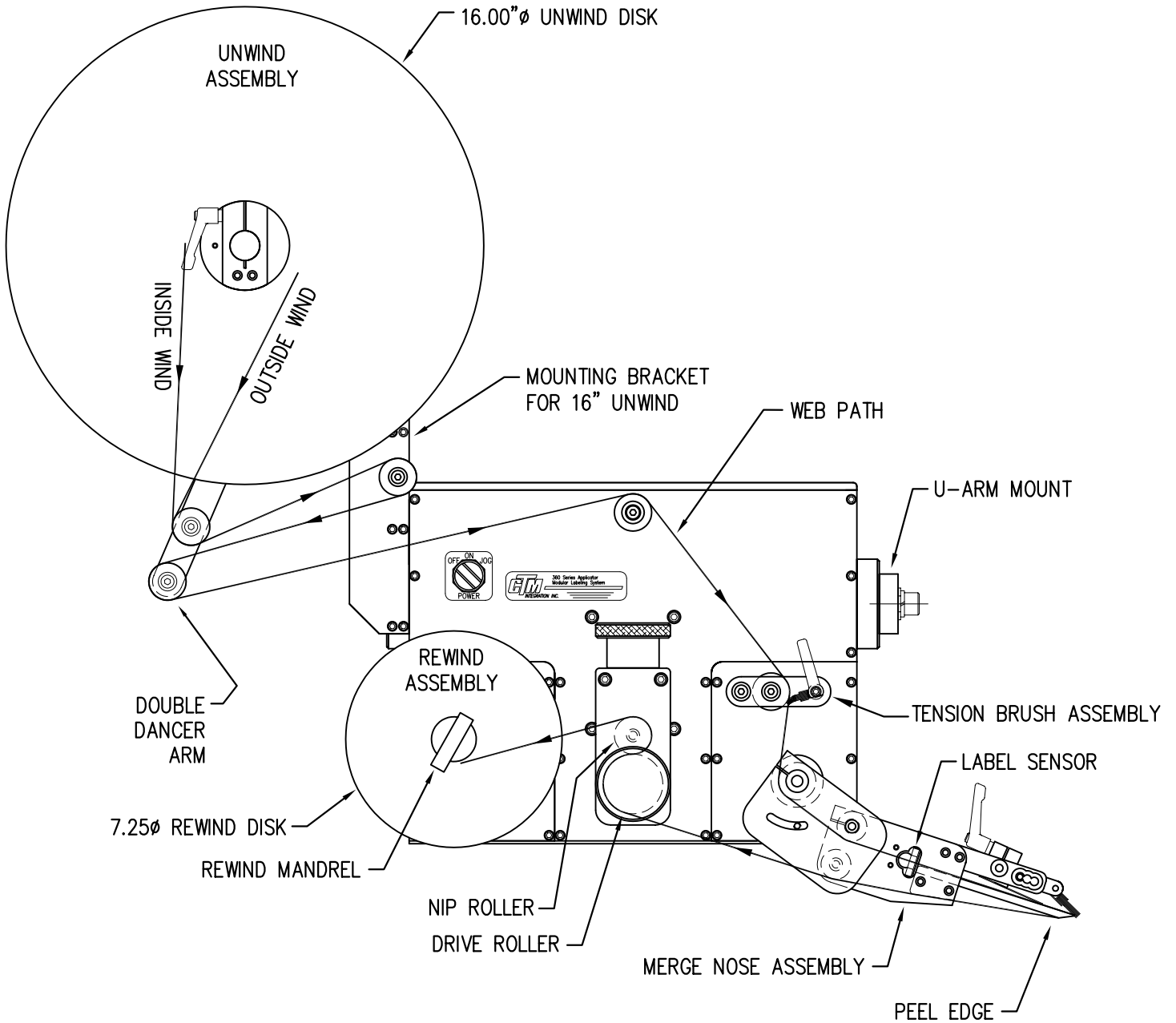
WEB PATH DIAGRAM  
360 SERIES RIGHT HAND MERGE APPLICATOR  
WITH GOTTSCHO IMPRINTER



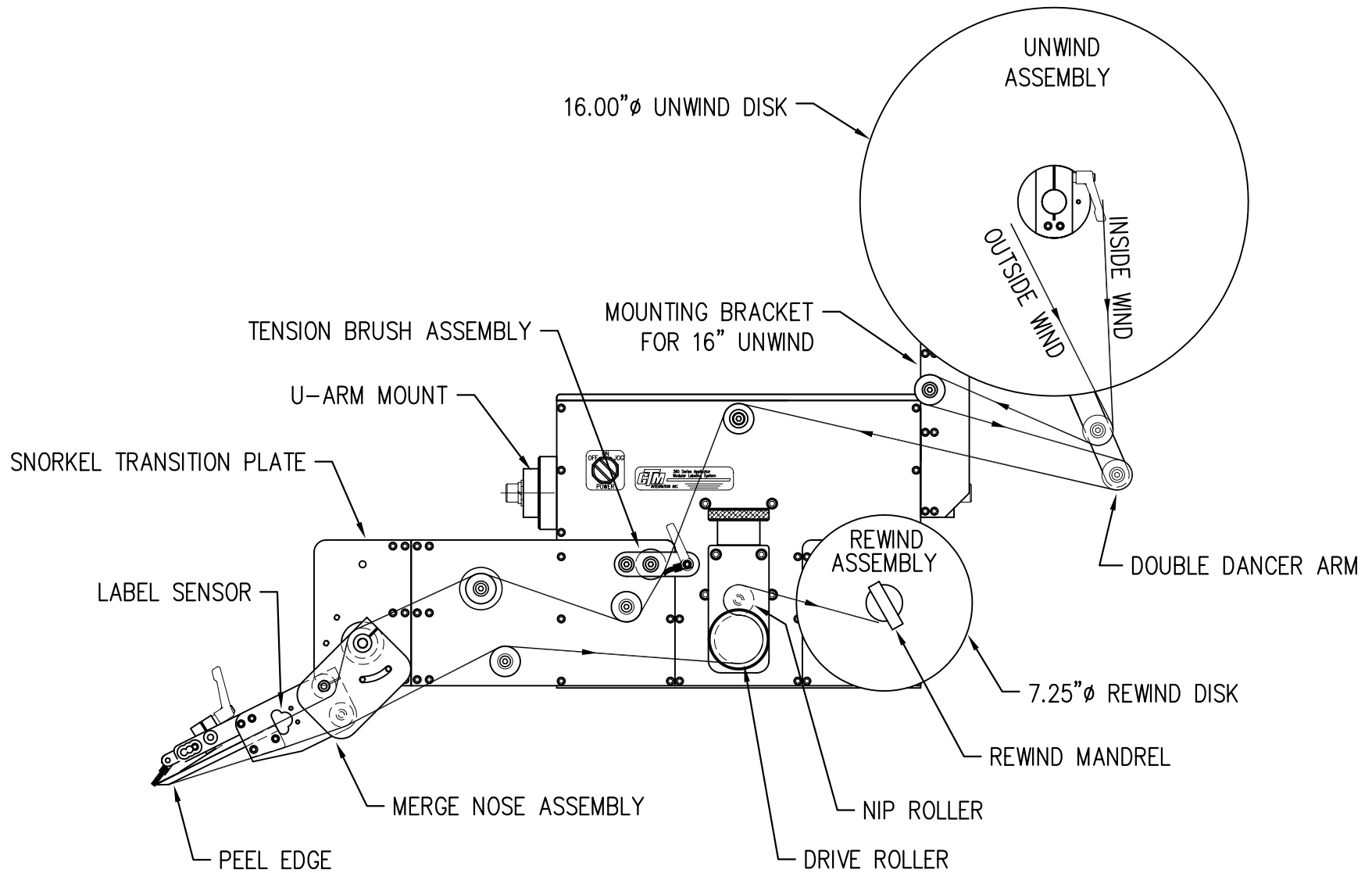
WEB PATH DIAGRAM  
360 SERIES LEFT HAND MERGE APPLICATOR  
WITH 16.00" UNWIND



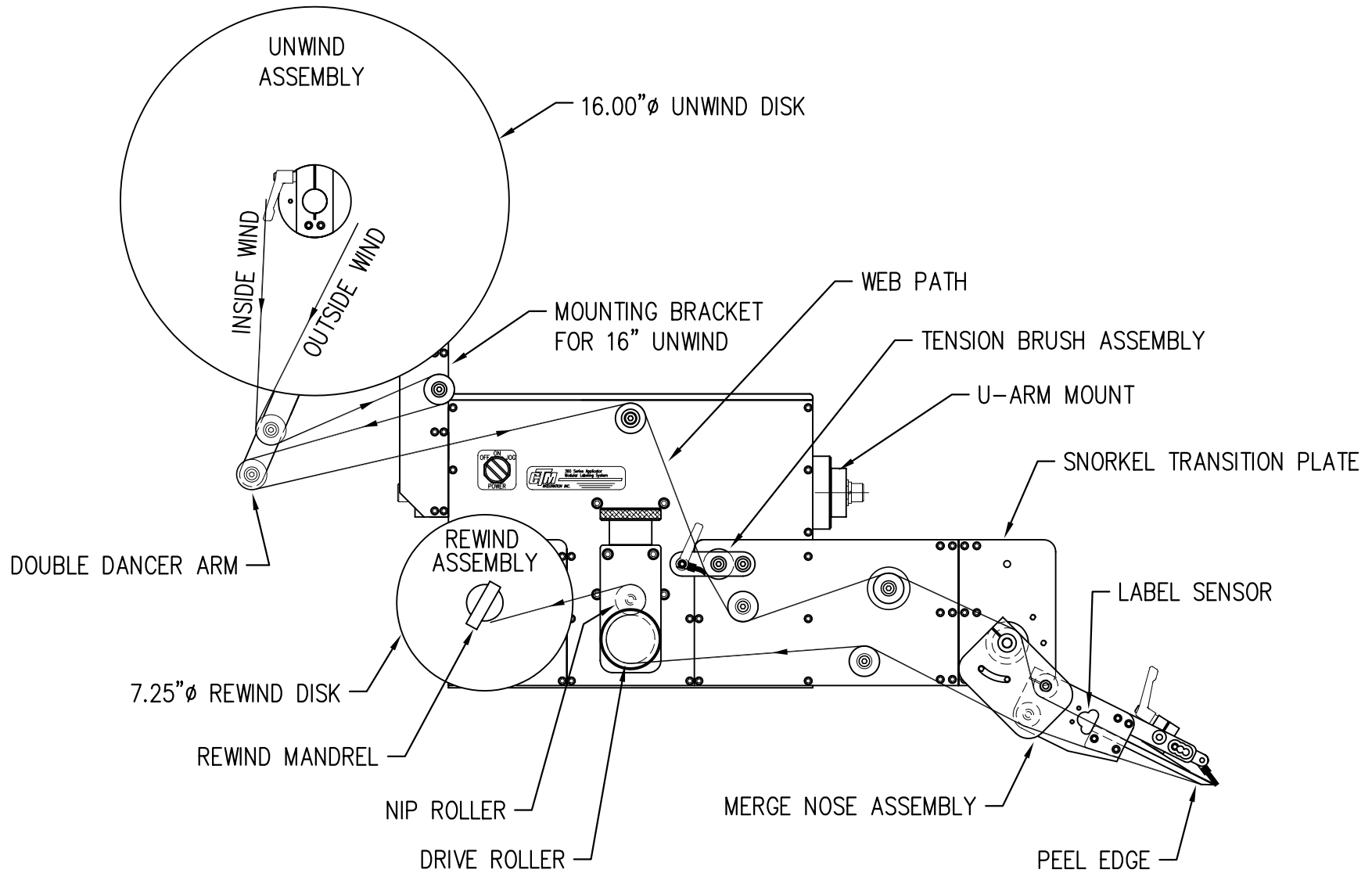
WEB PATH DIAGRAM  
360 SERIES RIGHT HAND MERGE APPLICATOR  
WITH 16.00" UNWIND



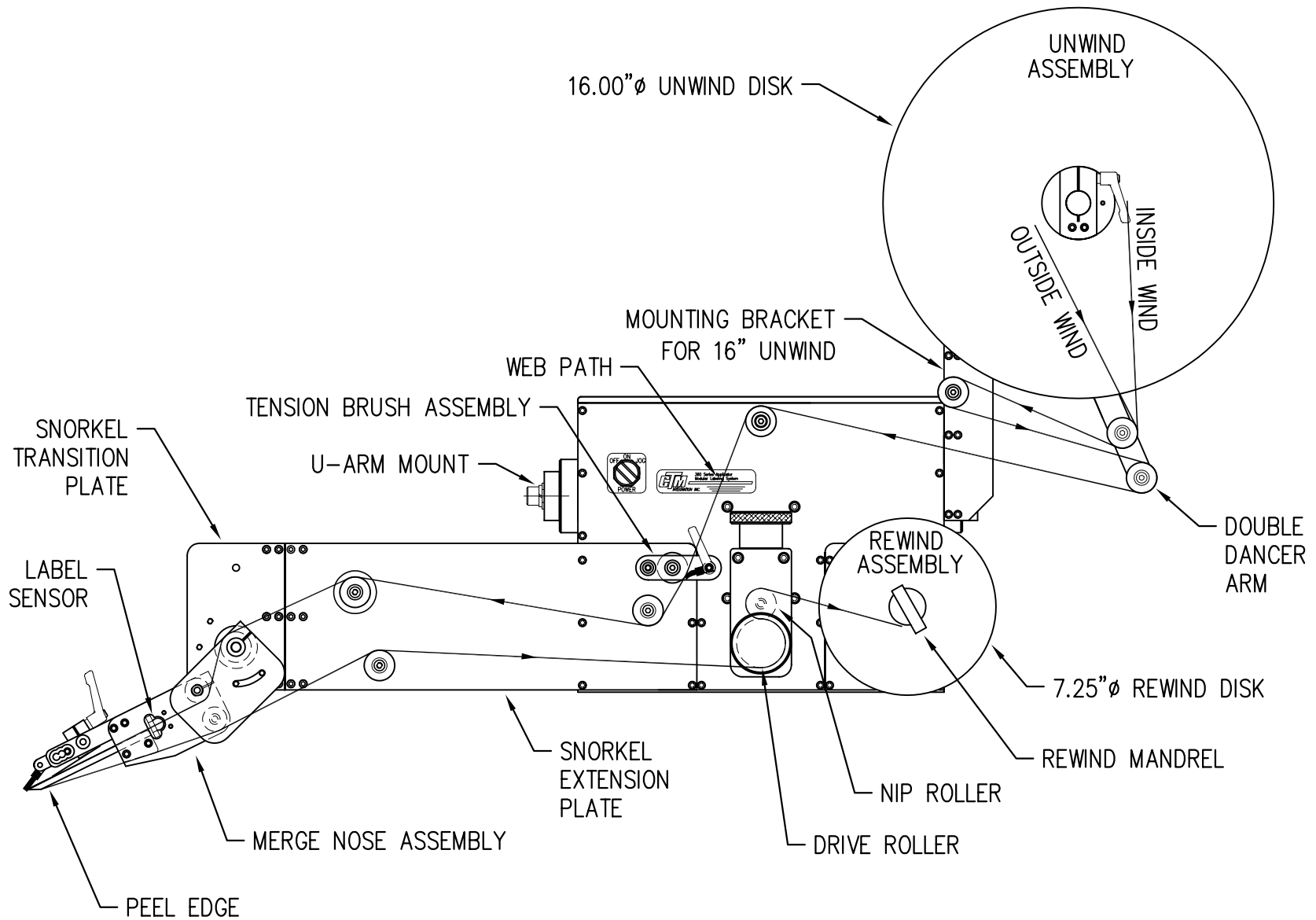
WEB PATH DIAGRAM  
360 SERIES LEFT HAND 12" EXTENDED MERGE APPLICATOR  
WITH 16.00" UNWIND



WEB PATH DIAGRAM  
360 SERIES RIGHT HAND 12" EXTENDED MERGE APPLICATOR  
WITH 16.00" UNWIND

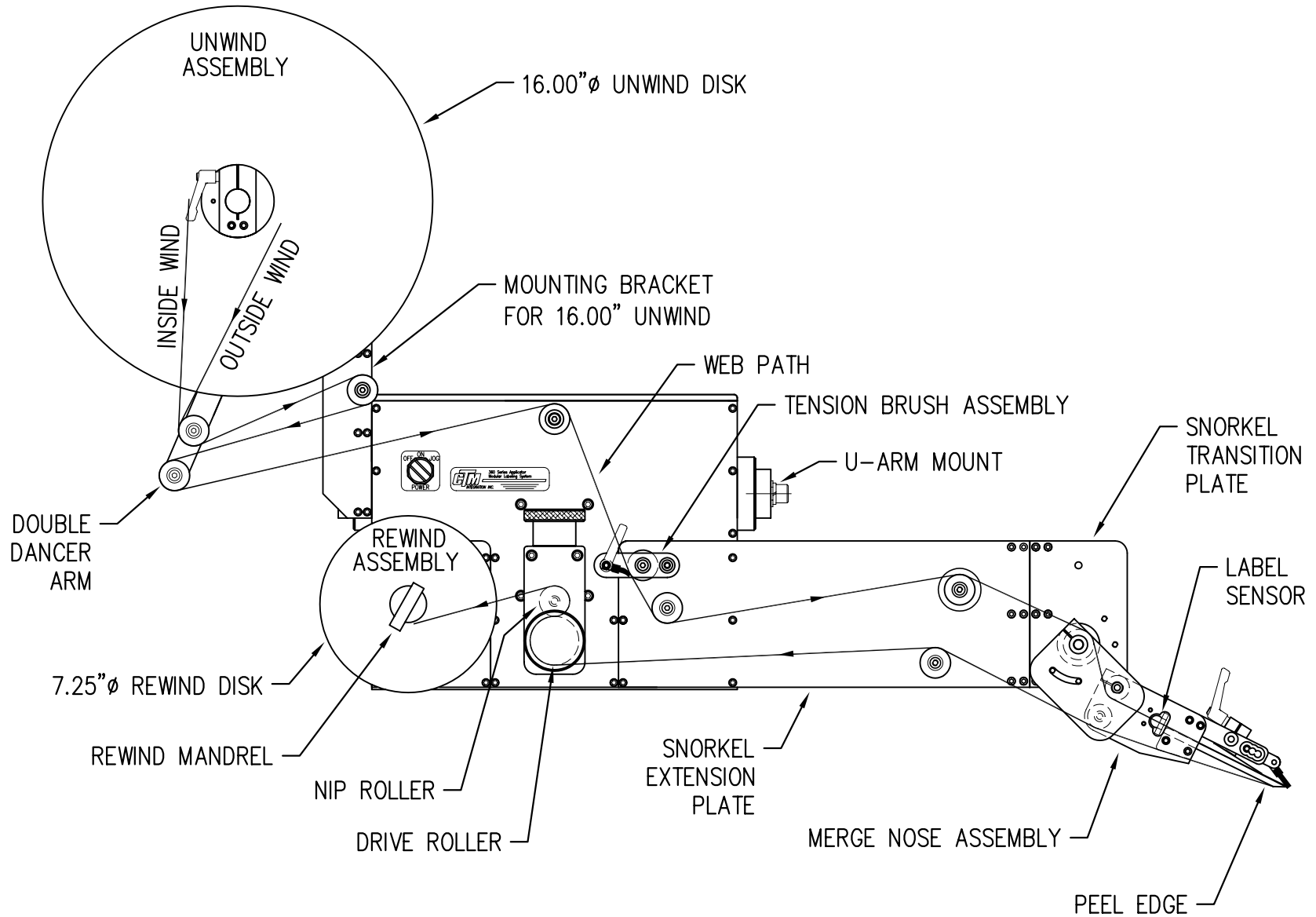


WEB PATH DIAGRAM  
360 SERIES LEFT HAND 18" EXTENDED MERGE APPLICATOR  
WITH 16.00" UNWIND

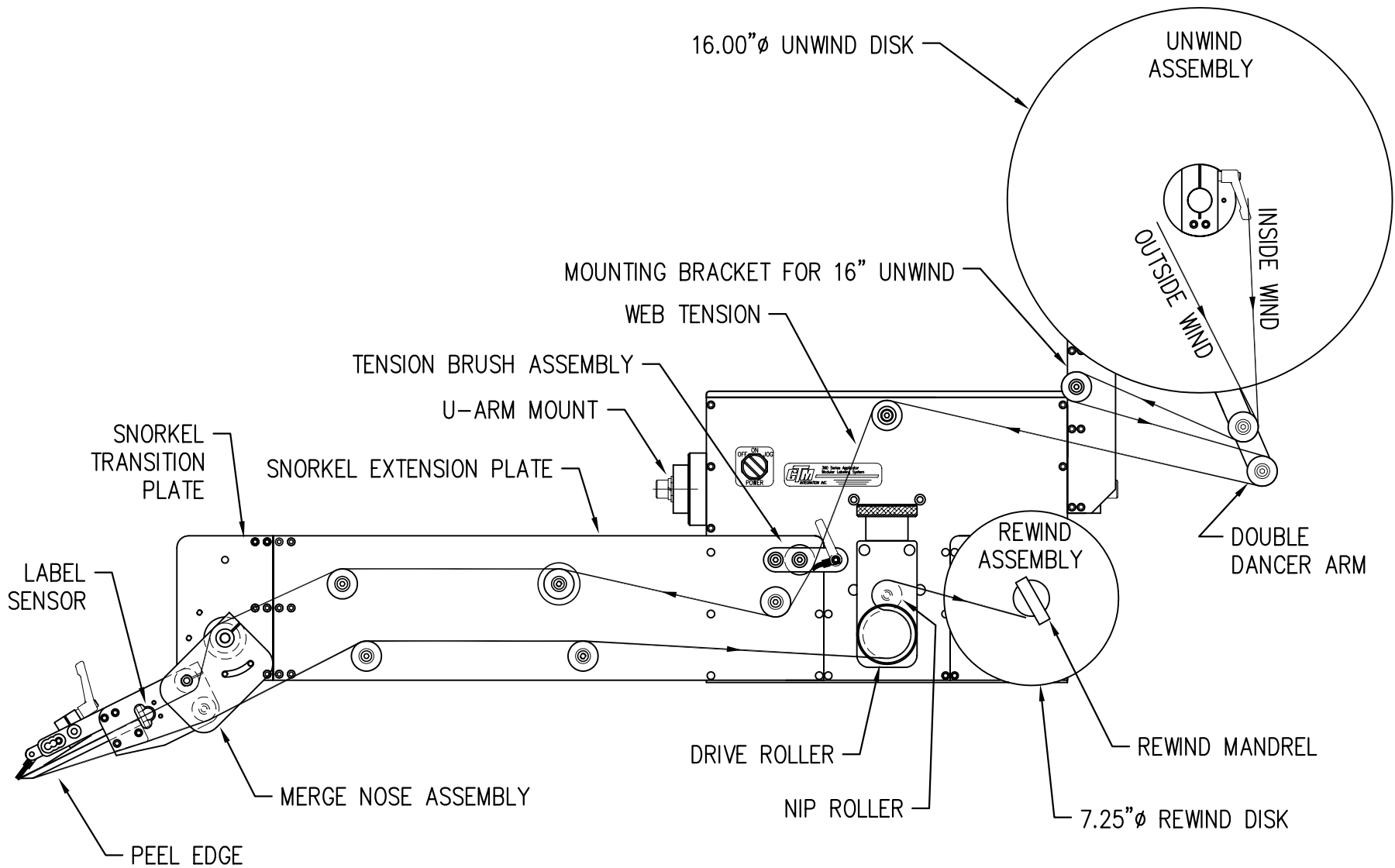




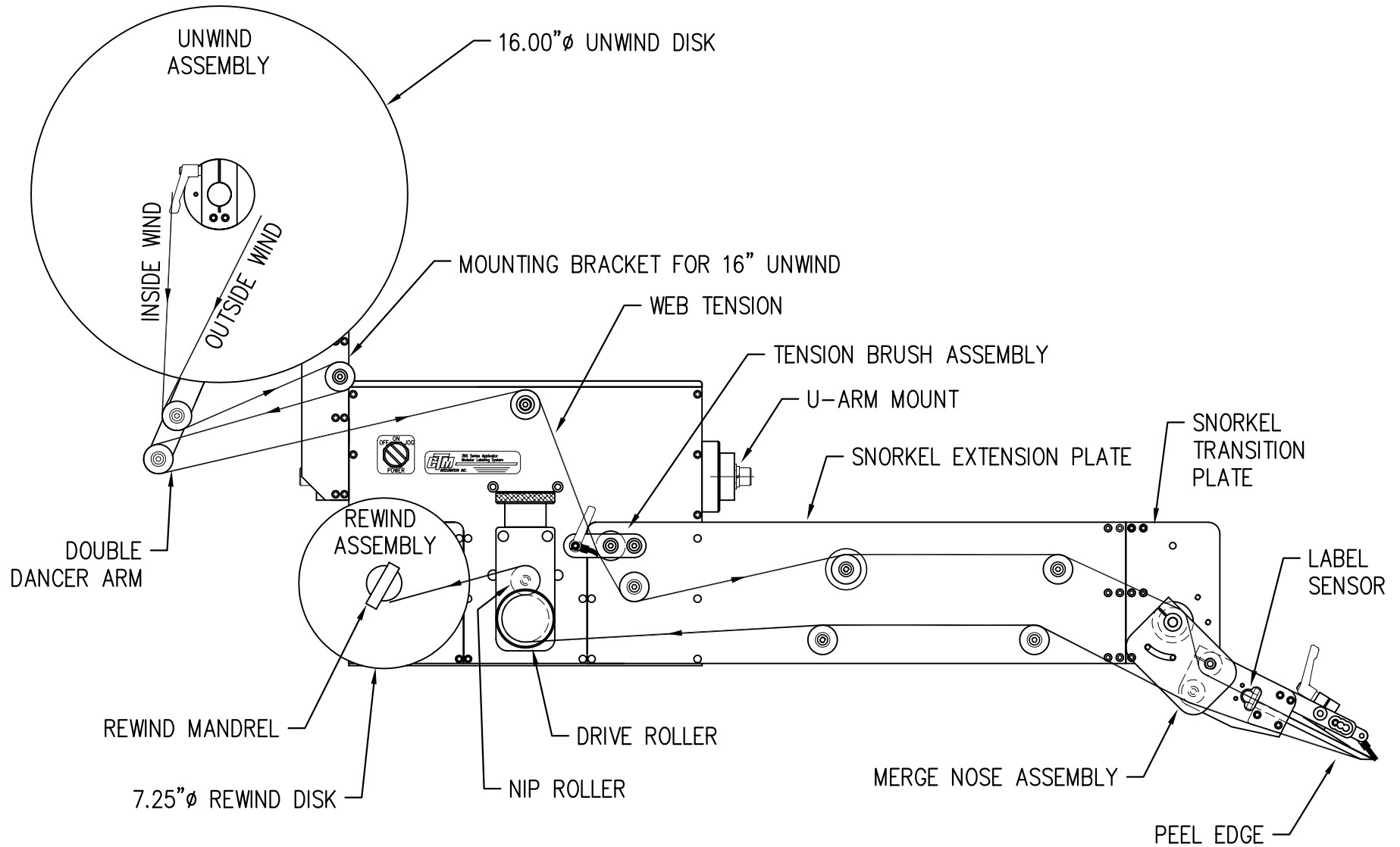
WEB PATH DIAGRAM  
360 SERIES RIGHT HAND 18" EXTENDED MERGE APPLICATOR  
WITH 16.00" UNWIND



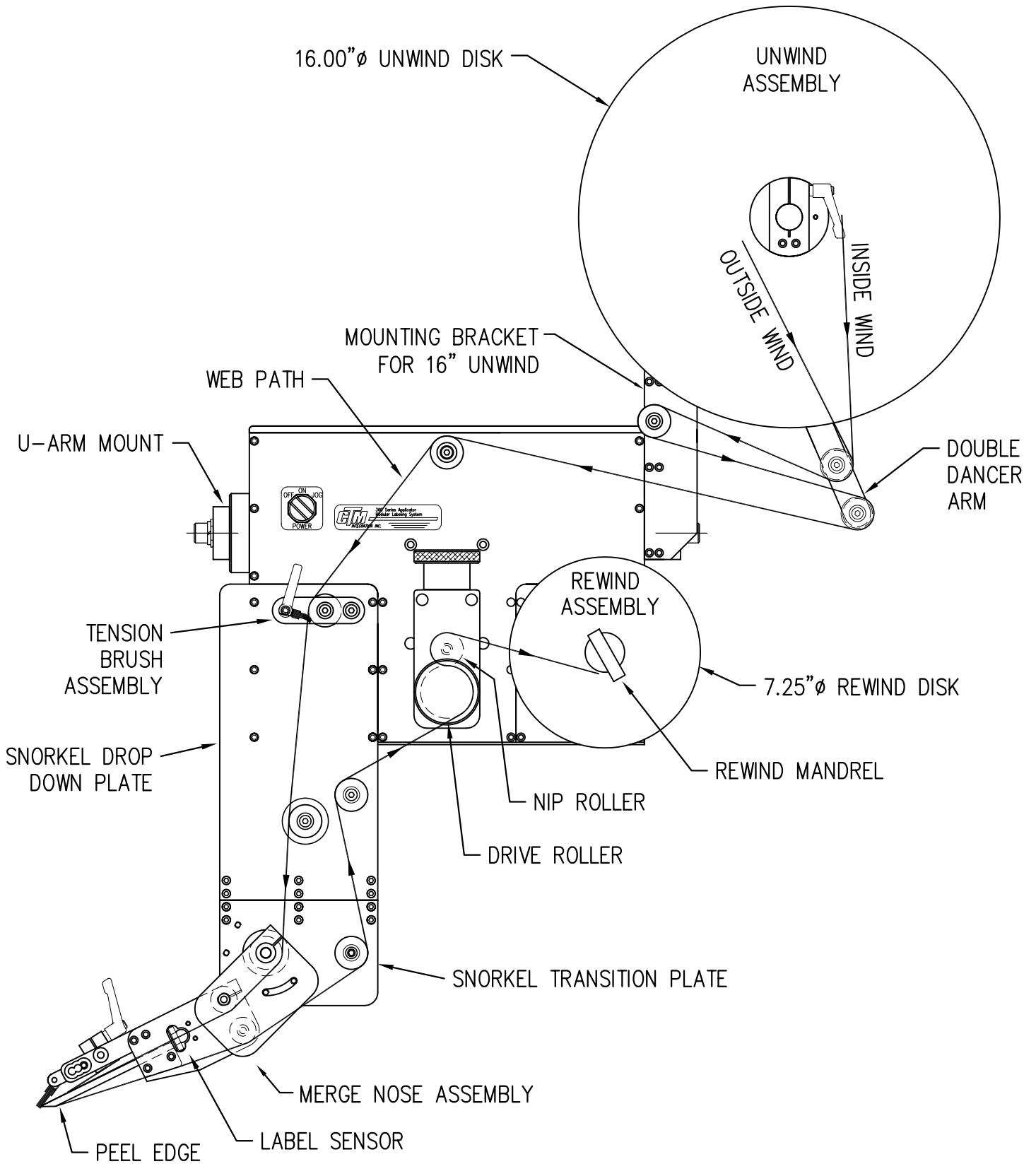
WEB PATH DIAGRAM  
360 SERIES LEFT HAND 24" EXTENDED MERGE APPLICATOR  
WITH 16.00" UNWIND



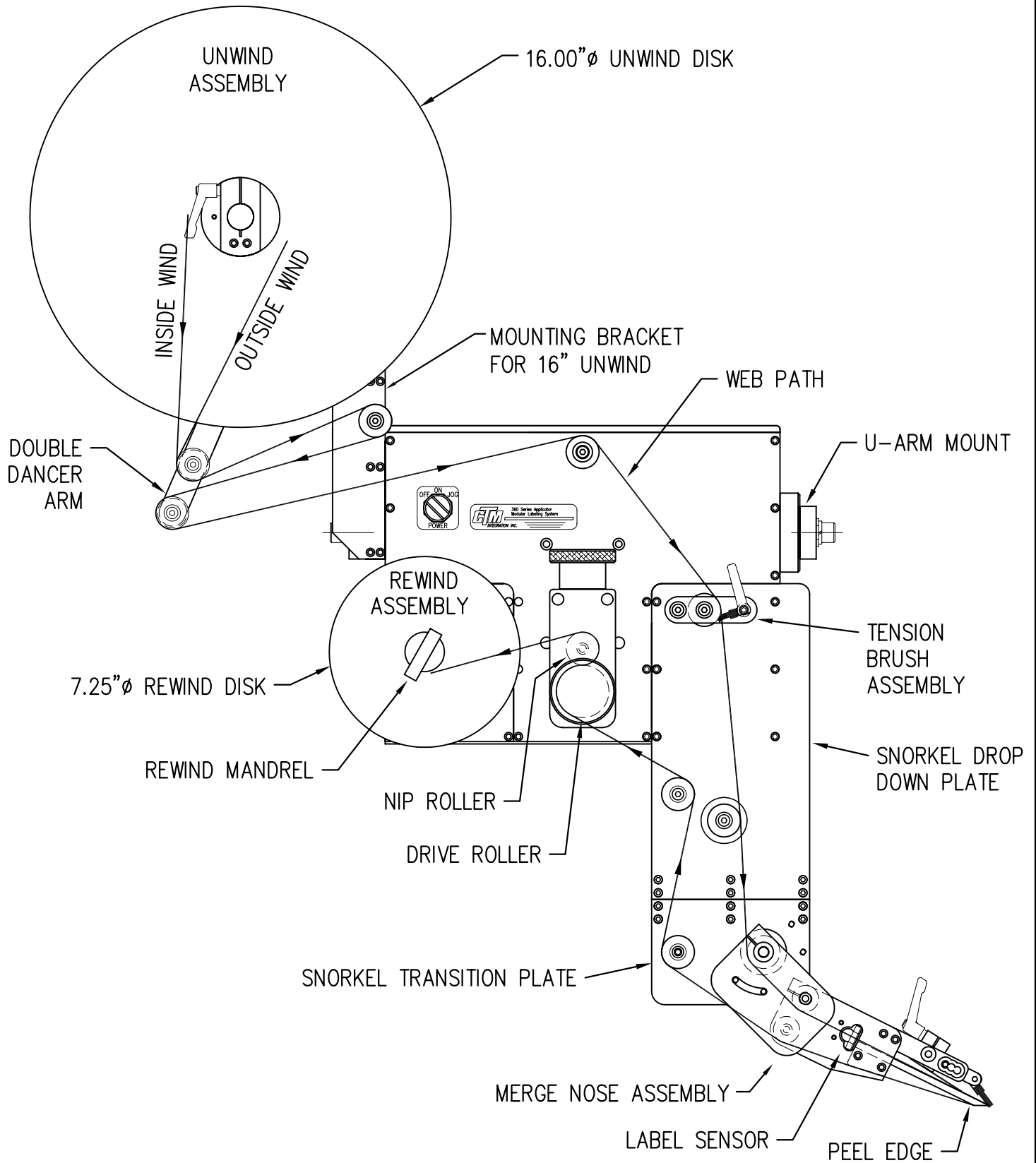
WEB PATH DIAGRAM  
360 SERIES RIGHT HAND 24" EXTENDED MERGE APPLICATOR  
WITH 16.00" UNWIND



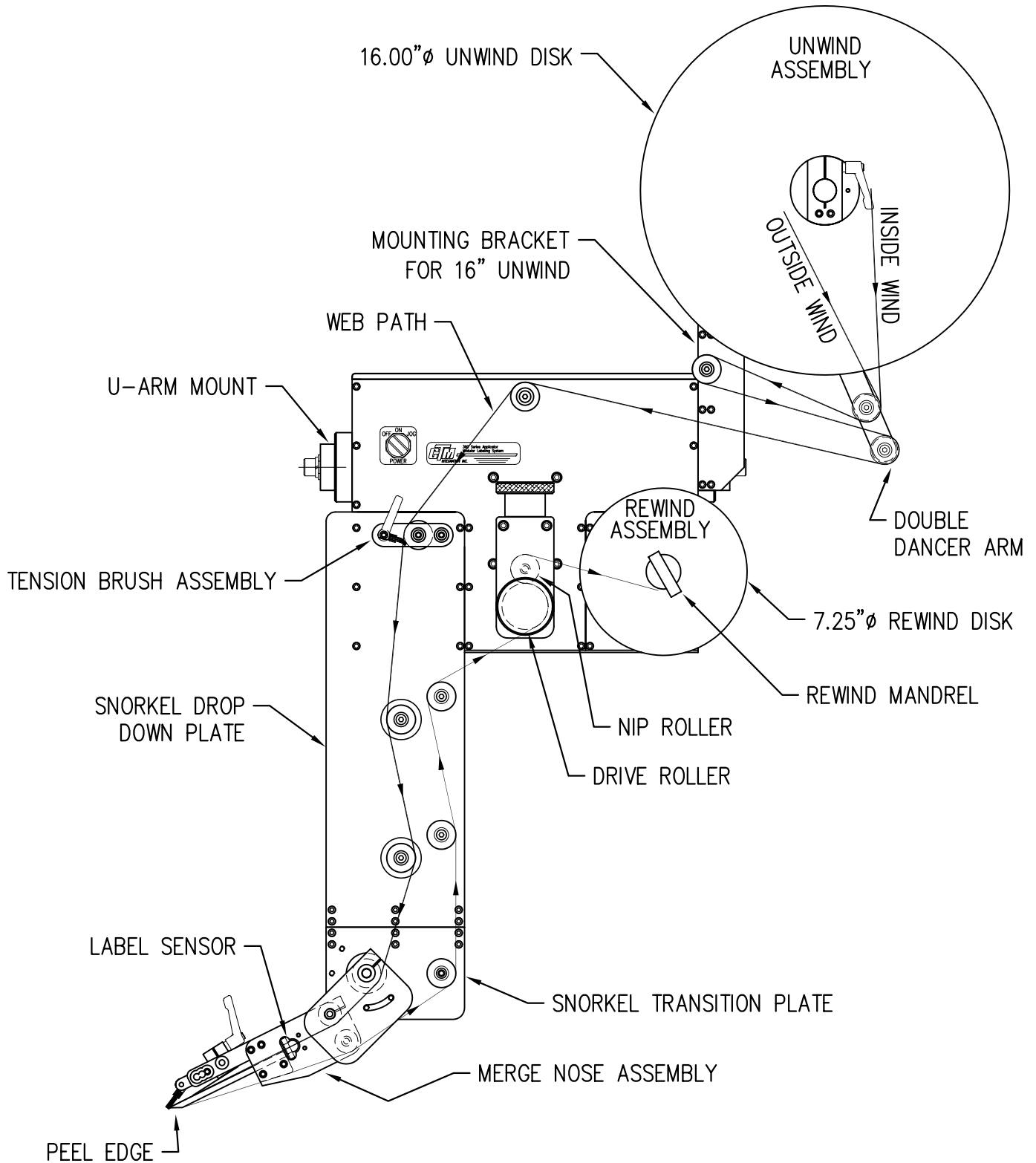
WEB PATH DIAGRAM  
360 SERIES RIGHT HAND 12" DROP DOWN MERGE APPLICATOR  
WITH 16.00" UNWIND



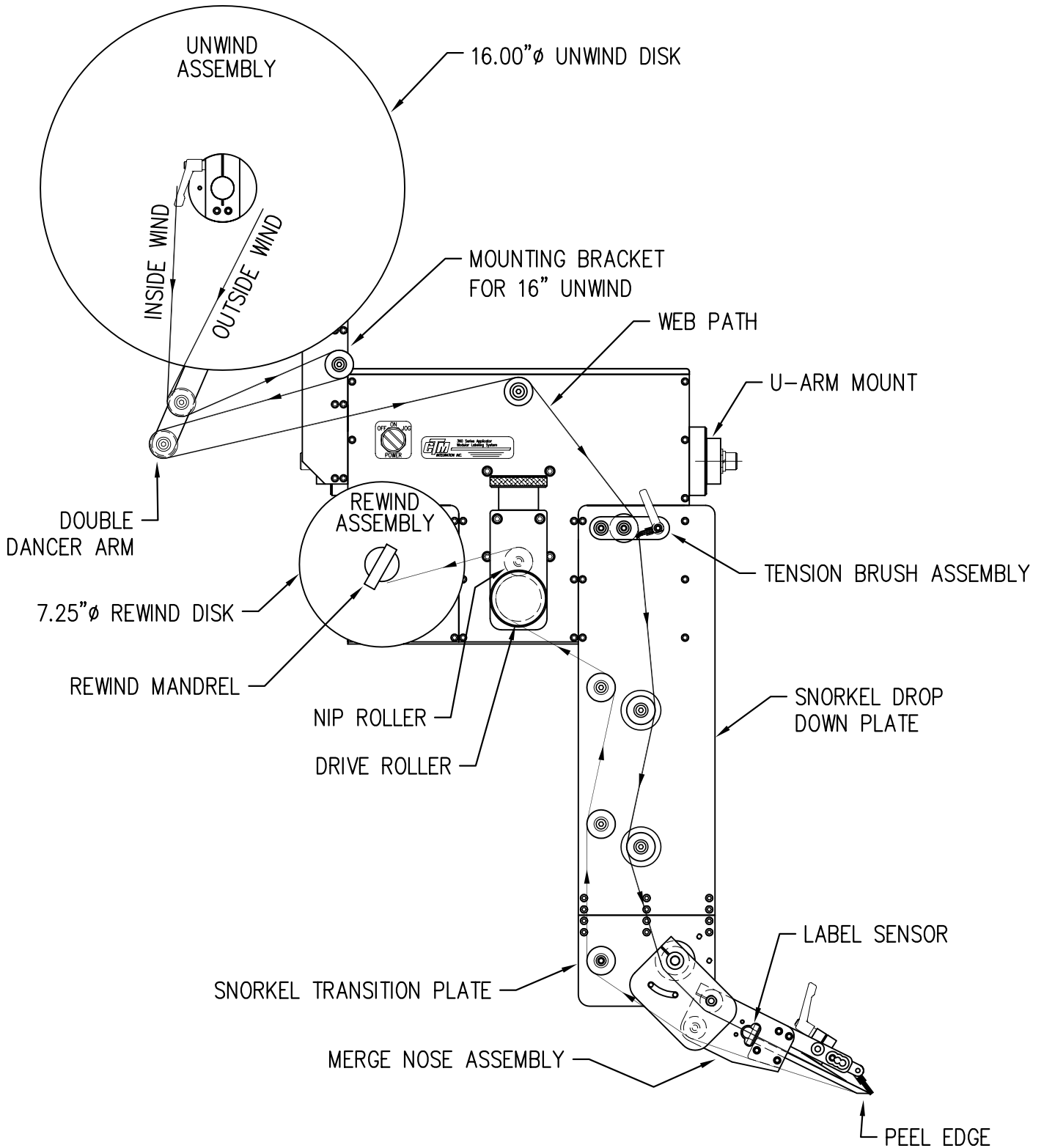
WEB PATH DIAGRAM  
360 SERIES RIGHT HAND 12" DROP DOWN MERGE APPLICATOR  
WITH 16.00" UNWIND



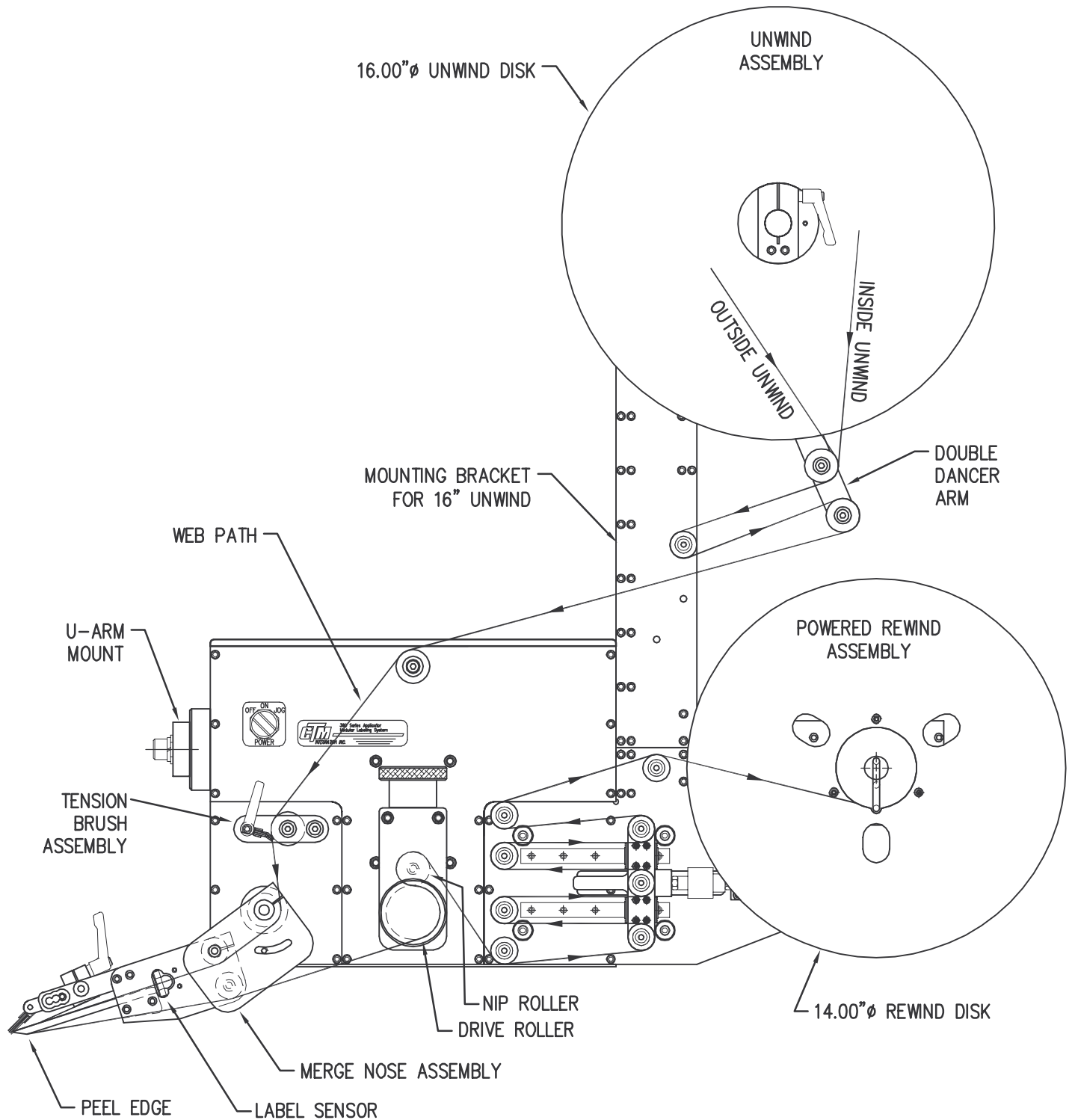
WEB PATH DIAGRAM  
360 SERIES LEFT HAND 18"/24" DROP DOWN MERGE APPLICATOR  
WITH 16.00" UNWIND



WEB PATH DIAGRAM  
360 SERIES RIGHT HAND 18"/24" DROP DOWN MERGE APPLICATOR  
WITH 16.00" UNWIND

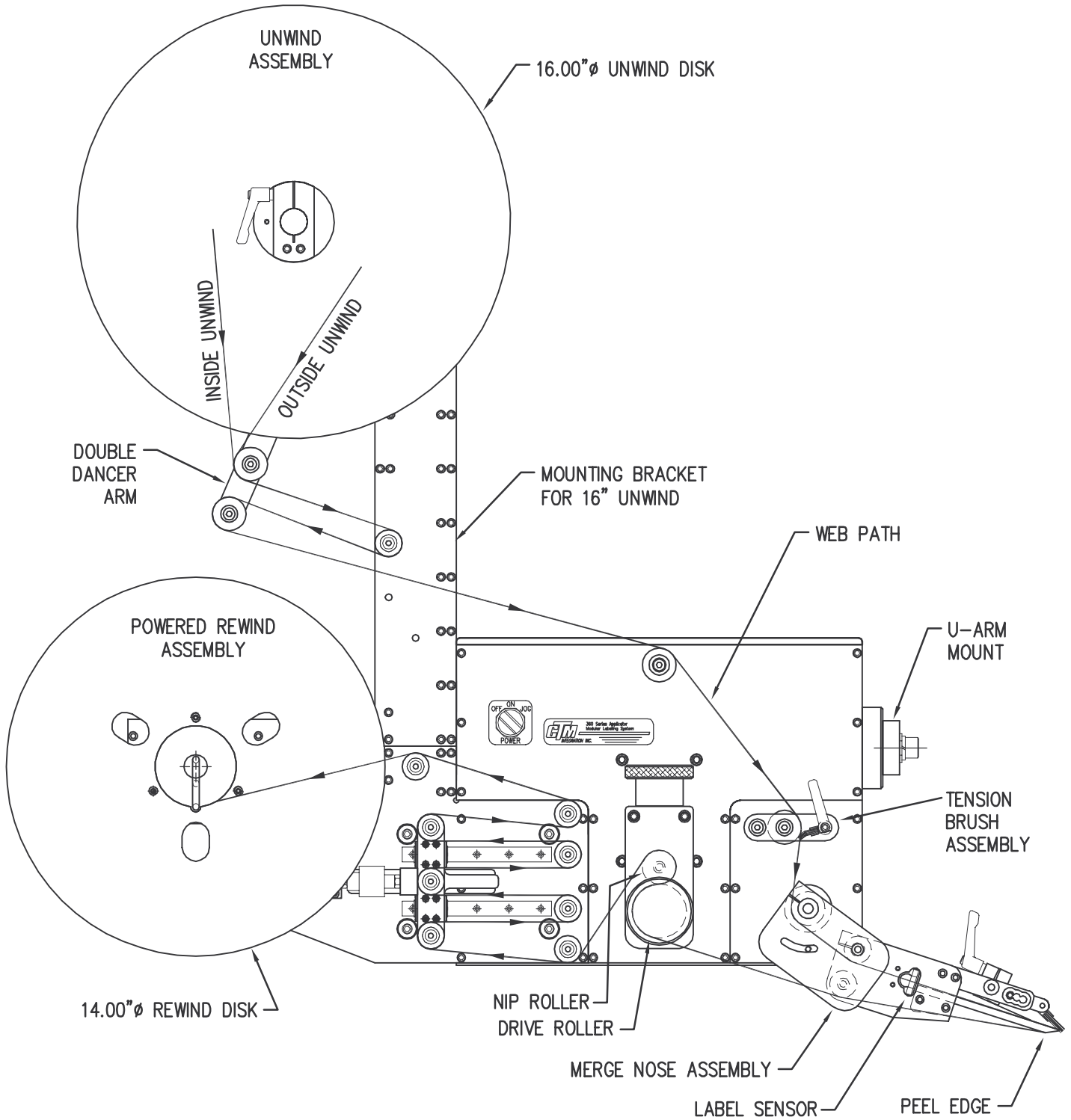


WEB PATH DIAGRAM  
360 SERIES LEFT HAND MERGE APPLICATOR  
WITH 16.00" UNWIND & POWERED REWIND

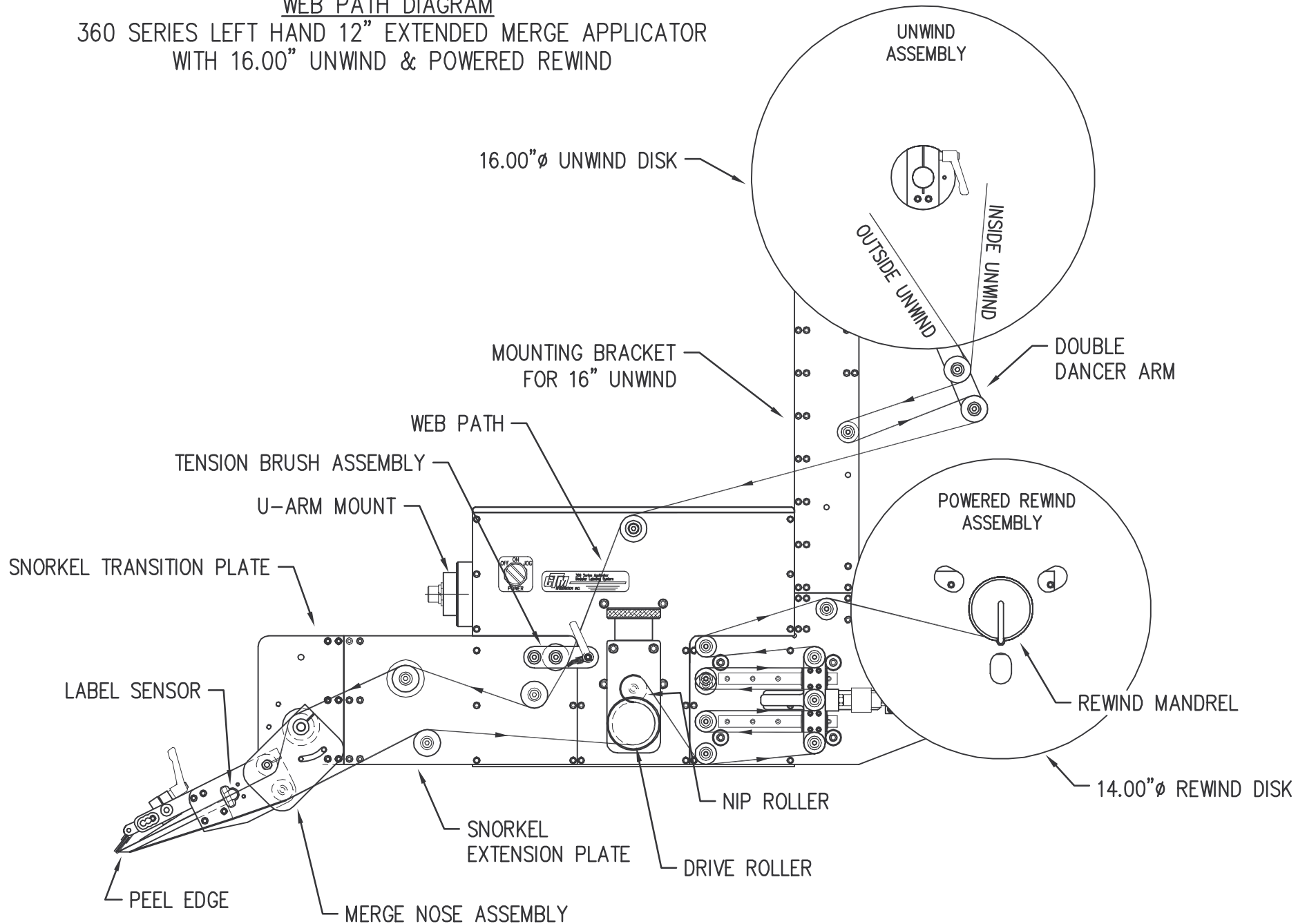




WEB PATH DIAGRAM  
360 SERIES RIGHT HAND MERGE APPLICATOR  
WITH 16.00" UNWIND & POWERED REWIND

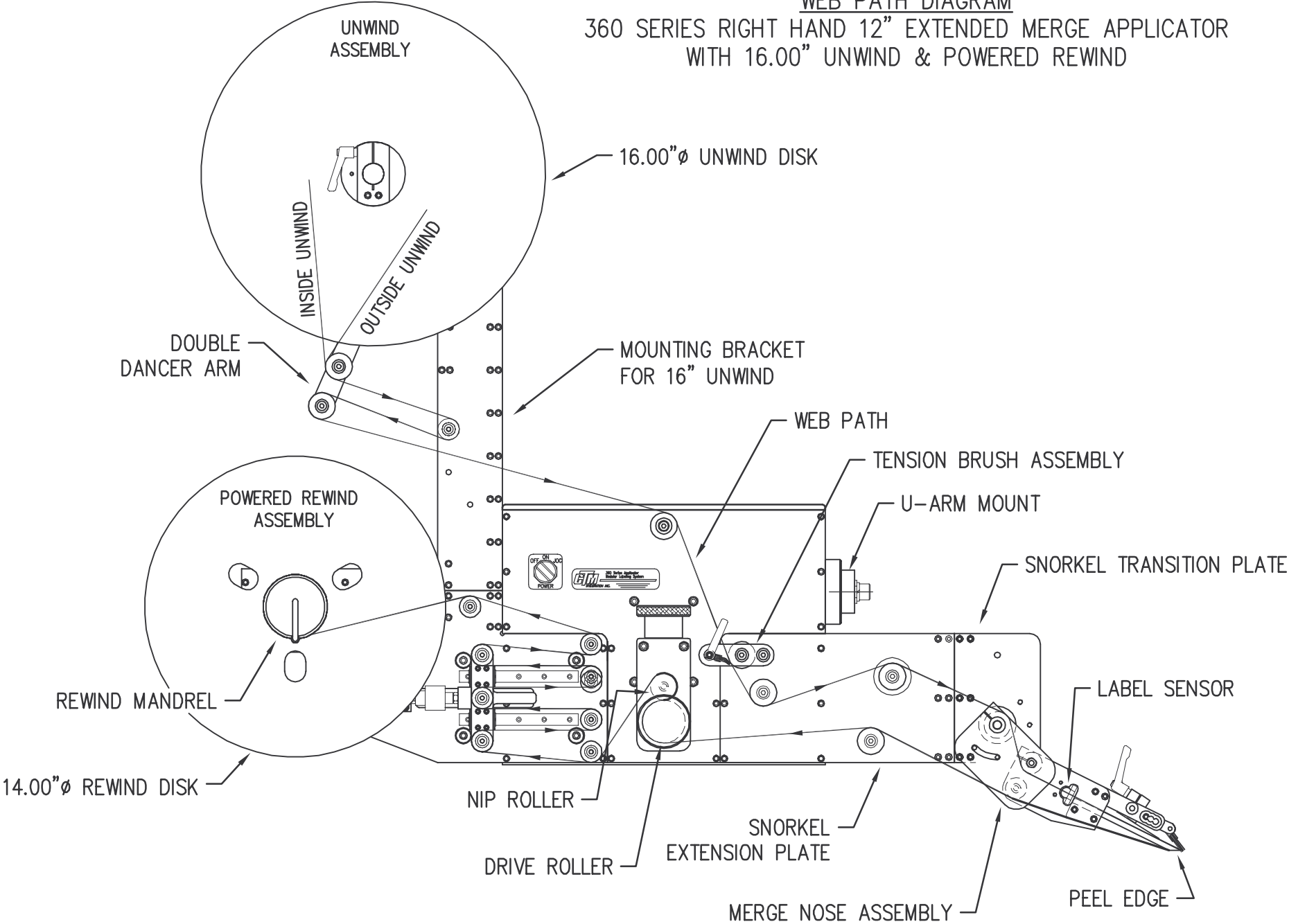


WEB PATH DIAGRAM  
360 SERIES LEFT HAND 12" EXTENDED MERGE APPLICATOR  
WITH 16.00" UNWIND & POWERED REWIND



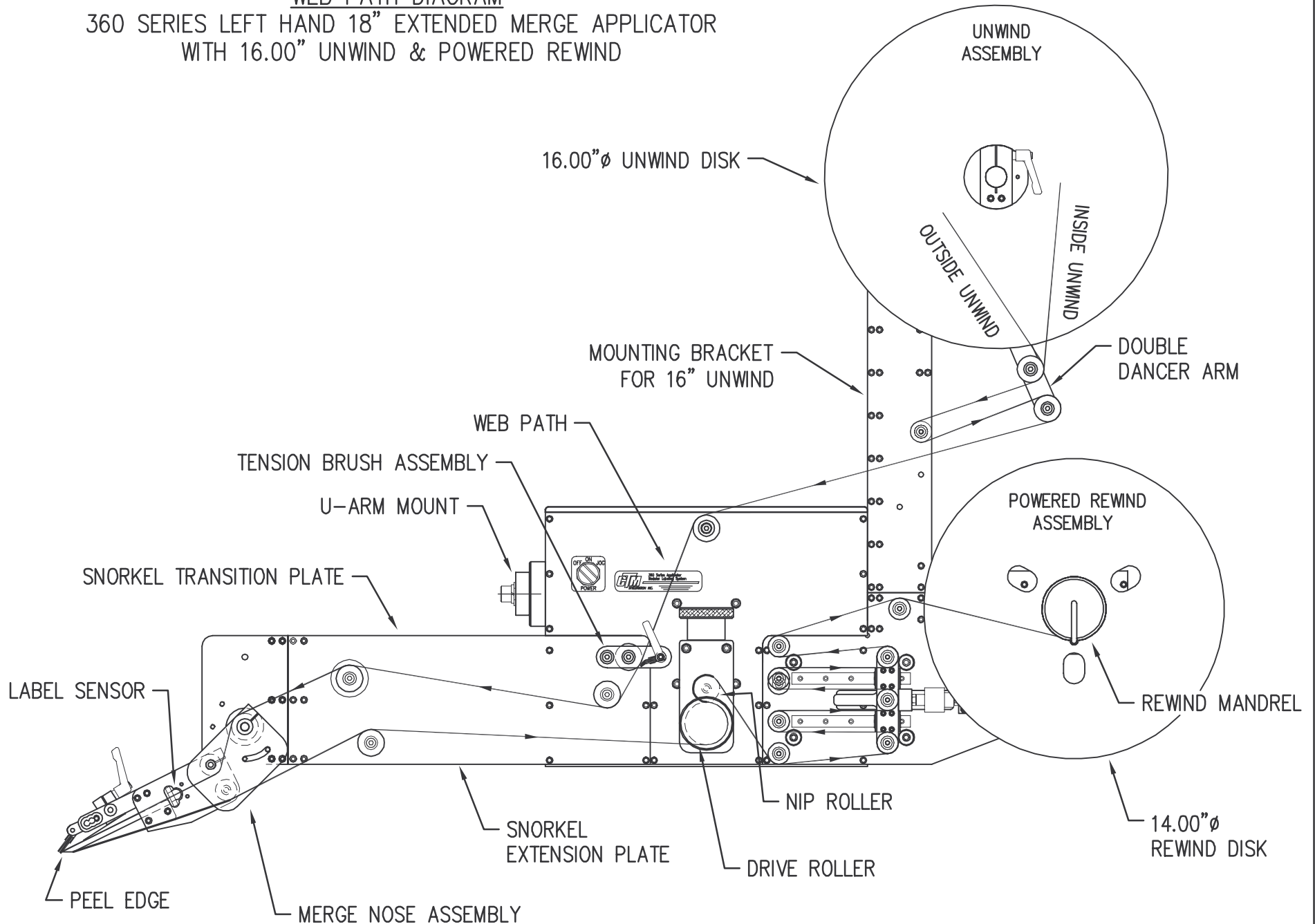
WEB PATH DIAGRAM

360 SERIES RIGHT HAND 12" EXTENDED MERGE APPLICATOR  
WITH 16.00" UNWIND & POWERED REWIND



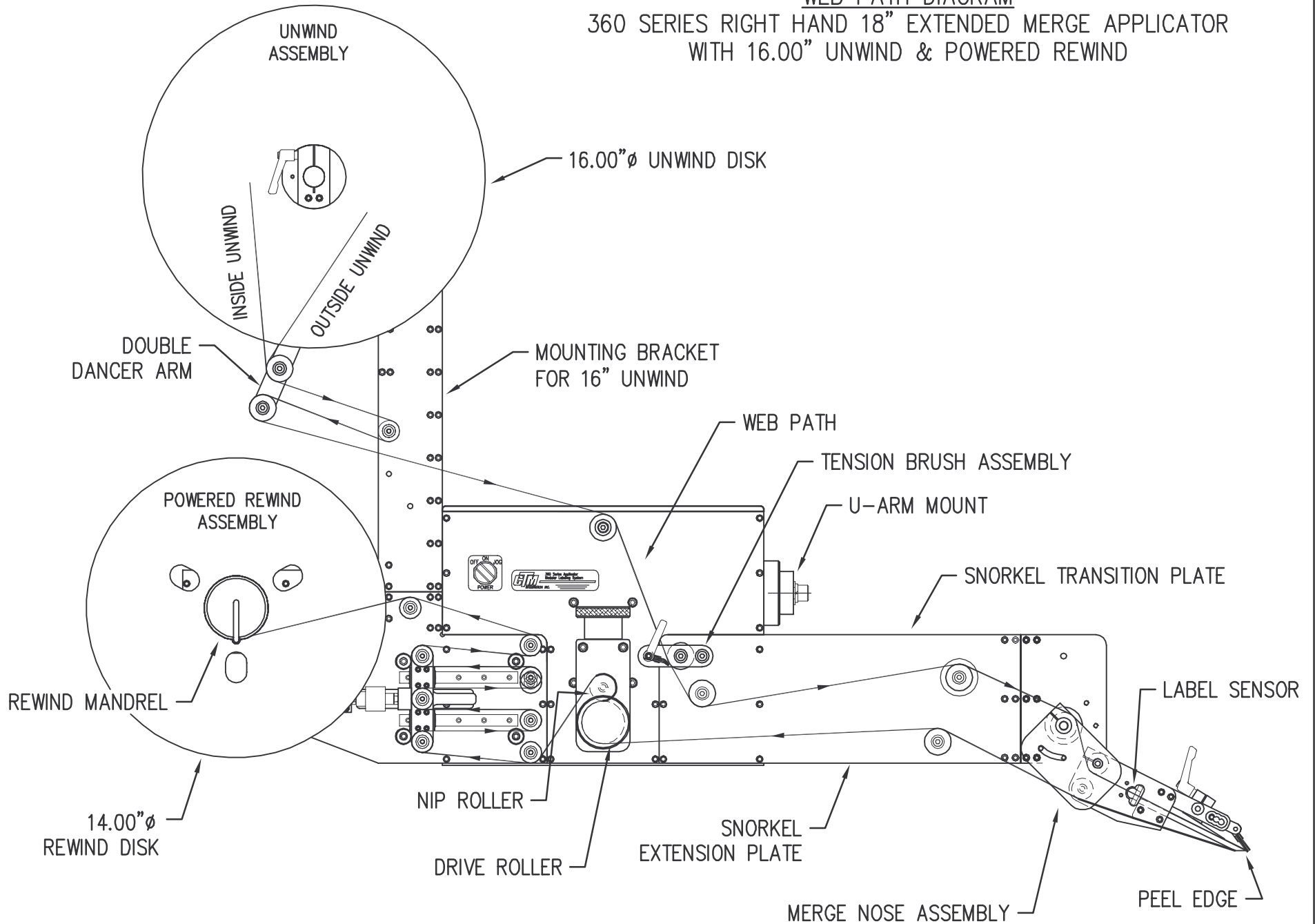
WEB PATH DIAGRAM

360 SERIES LEFT HAND 18" EXTENDED MERGE APPLICATOR  
WITH 16.00" UNWIND & POWERED REWIND



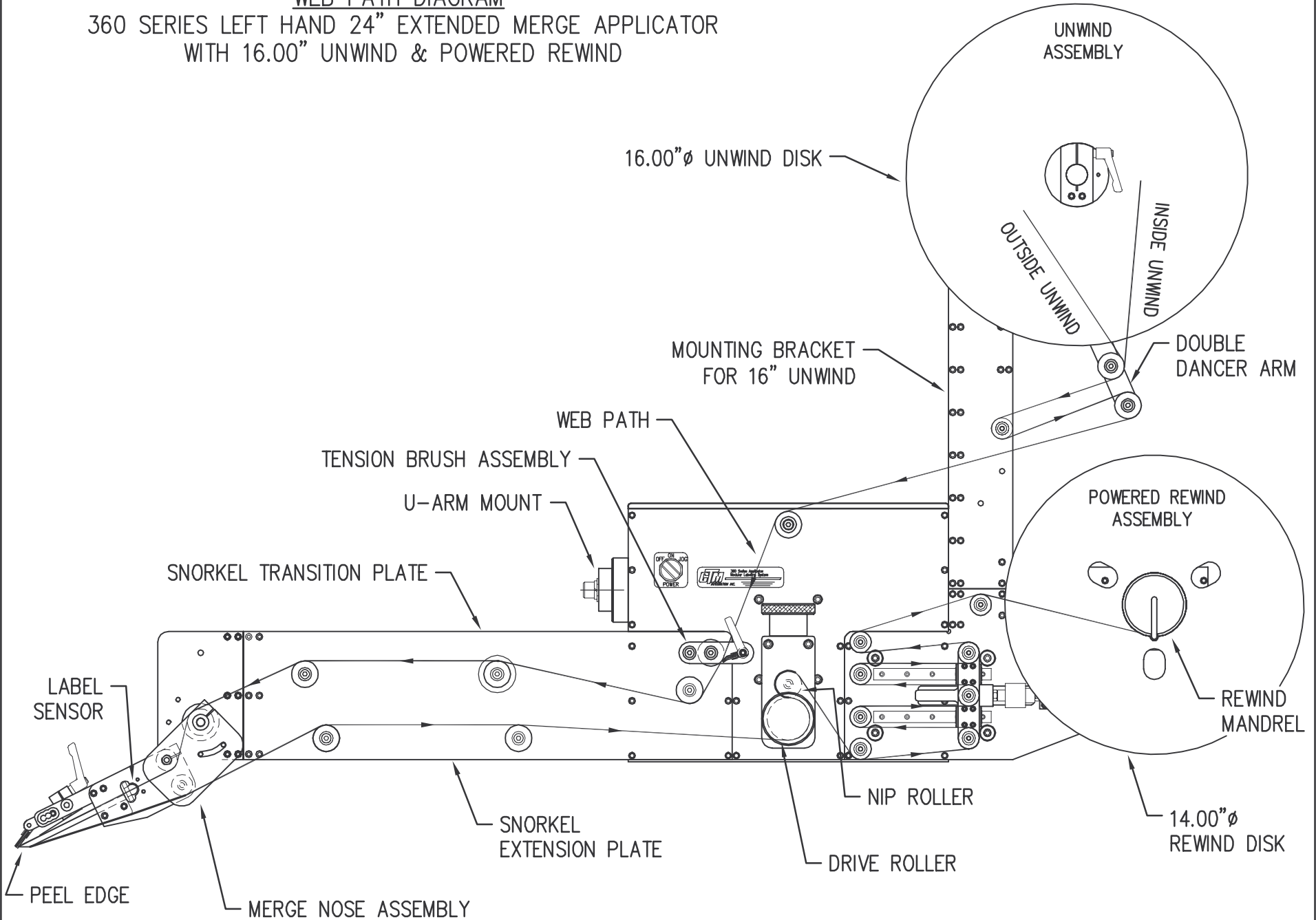
WEB PATH DIAGRAM

360 SERIES RIGHT HAND 18" EXTENDED MERGE APPLICATOR  
WITH 16.00" UNWIND & POWERED REWIND



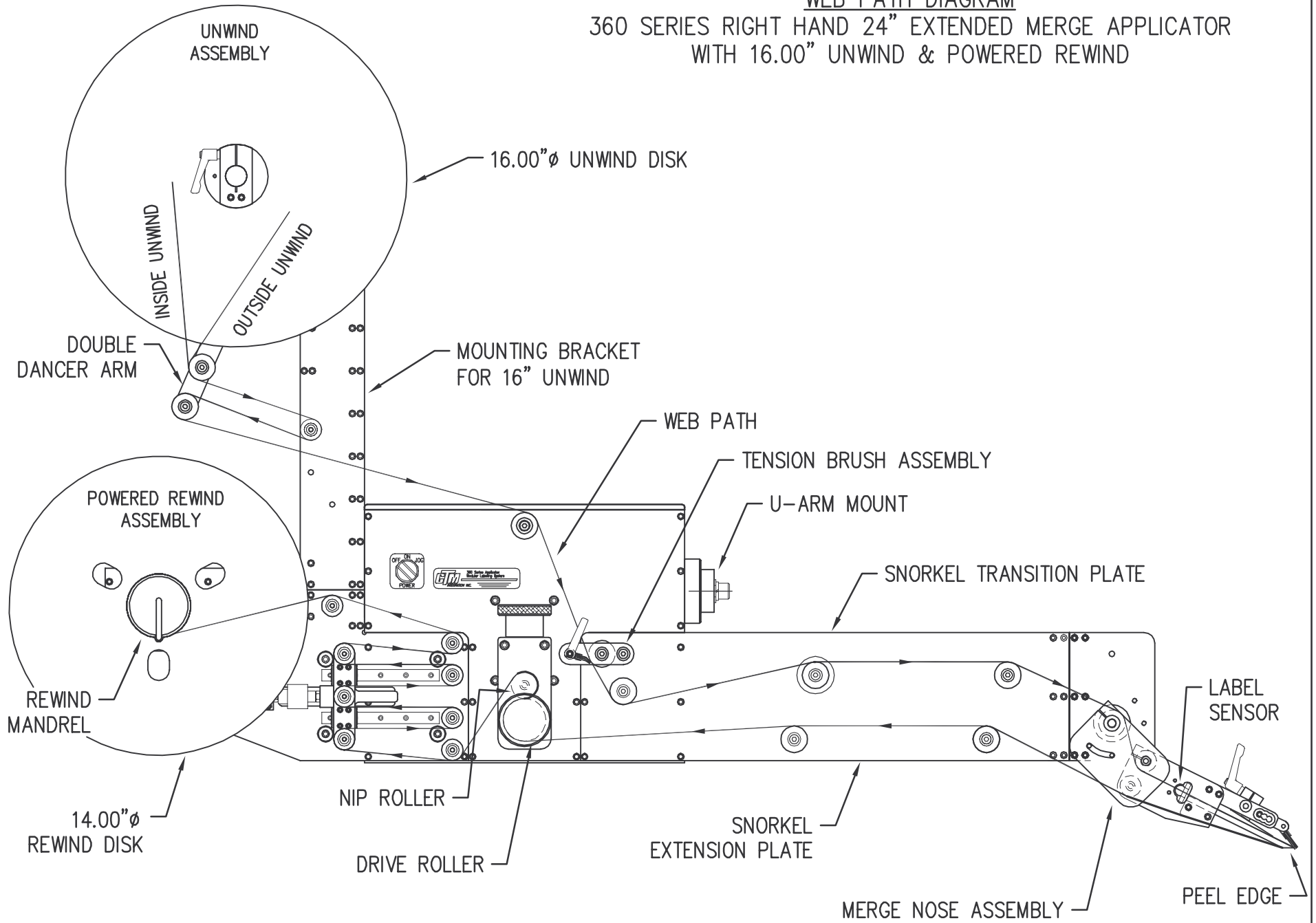
WEB PATH DIAGRAM

360 SERIES LEFT HAND 24" EXTENDED MERGE APPLICATOR  
WITH 16.00" UNWIND & POWERED REWIND

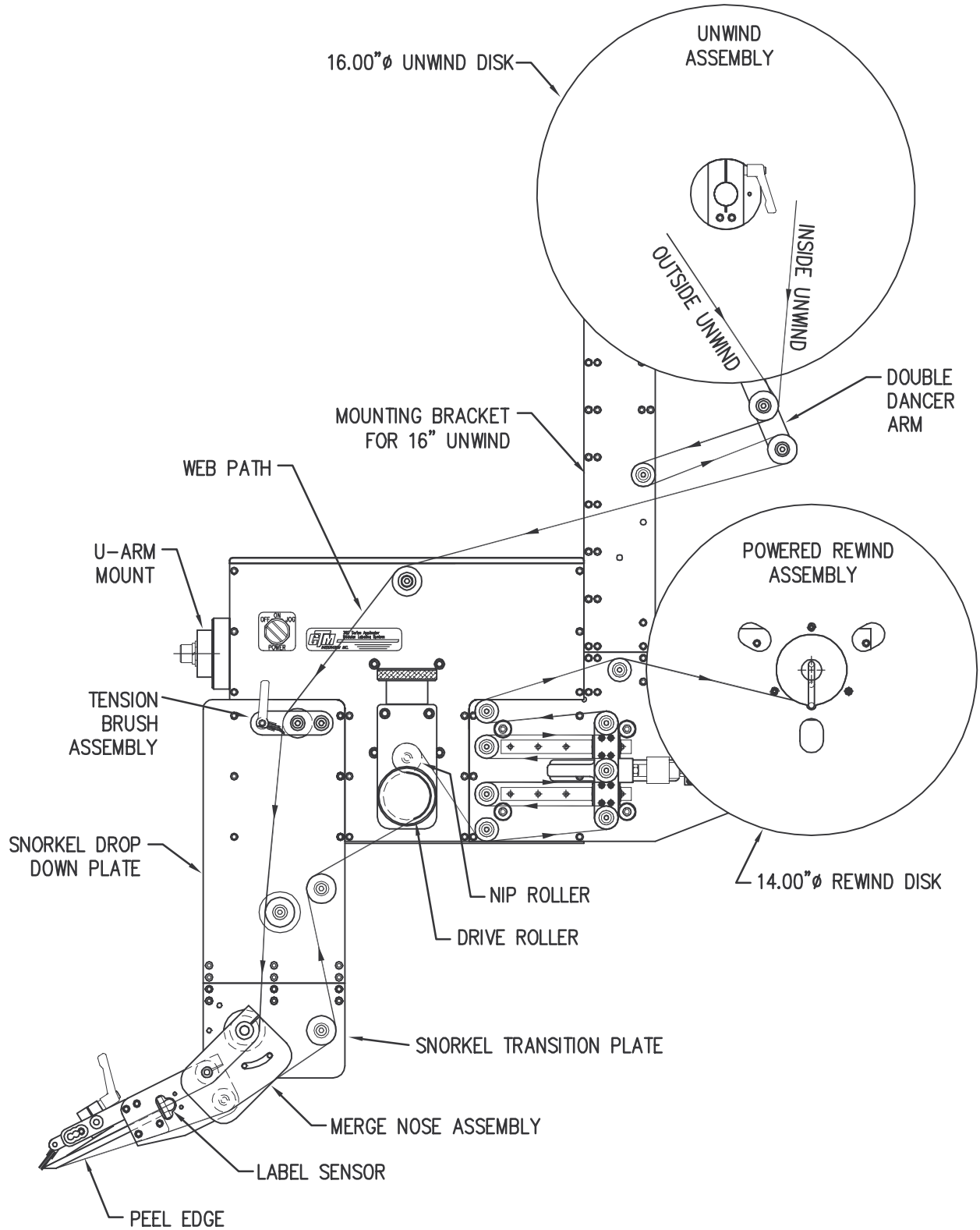


WEB PATH DIAGRAM

360 SERIES RIGHT HAND 24" EXTENDED MERGE APPLICATOR  
WITH 16.00" UNWIND & POWERED REWIND

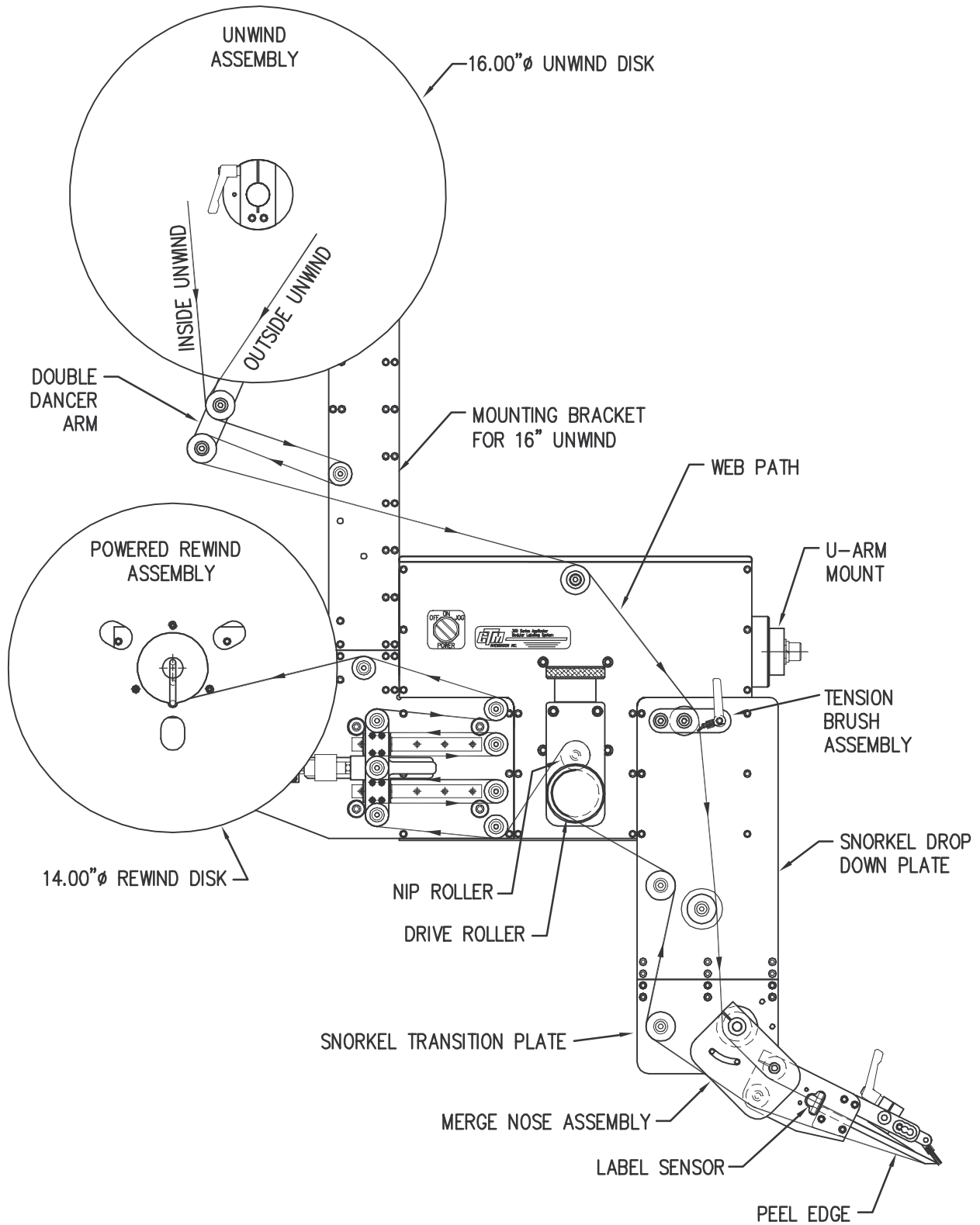


WEB PATH DIAGRAM  
360 SERIES LEFT HAND 12" DROP DOWN MERGE APPLICATOR  
WITH 16.00" UNWIND & POWERED REWIND



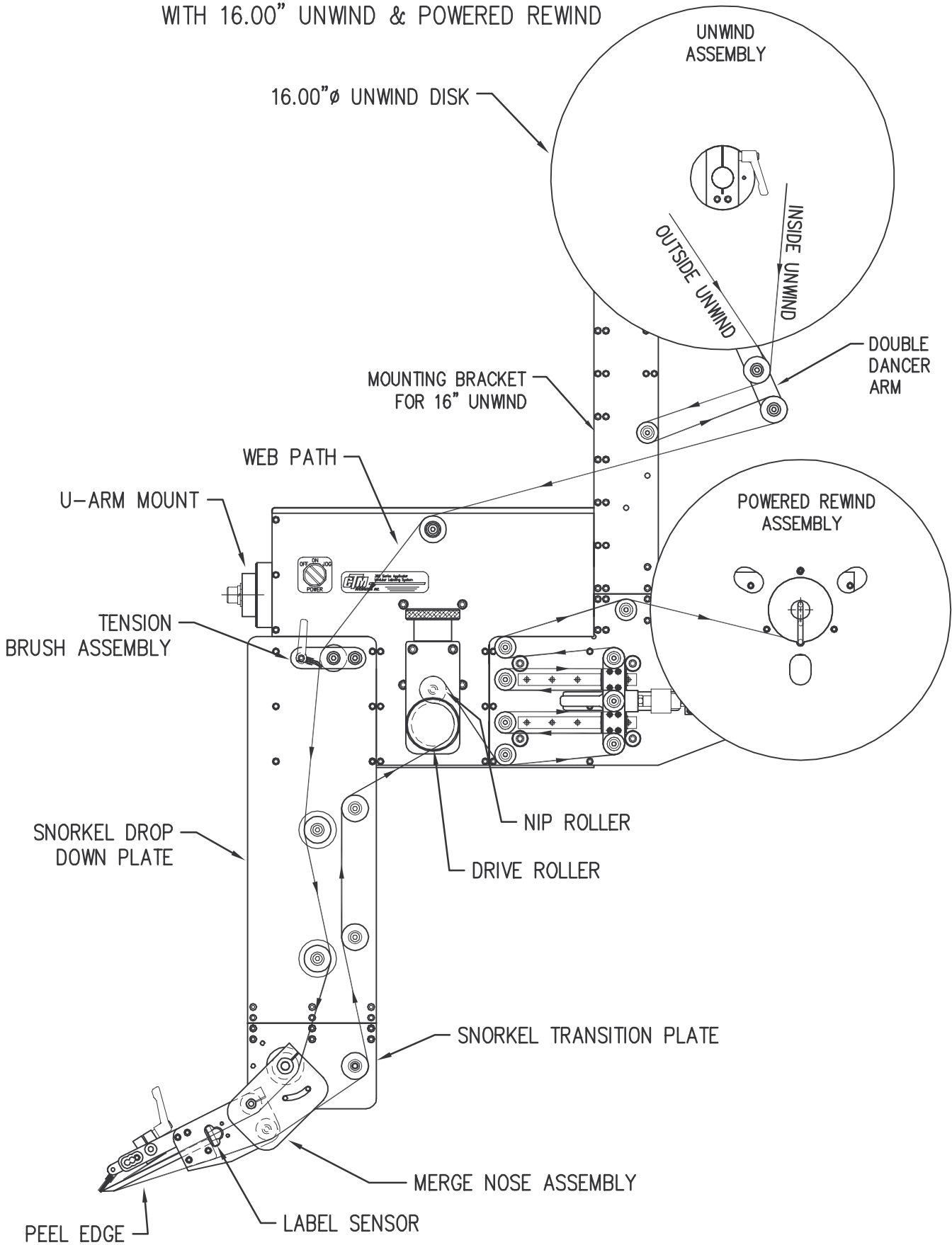


WEB PATH DIAGRAM  
360 SERIES RIGHT HAND 12" DROP DOWN MERGE APPLICATOR  
WITH 16.00" UNWIND & POWERED REWIND



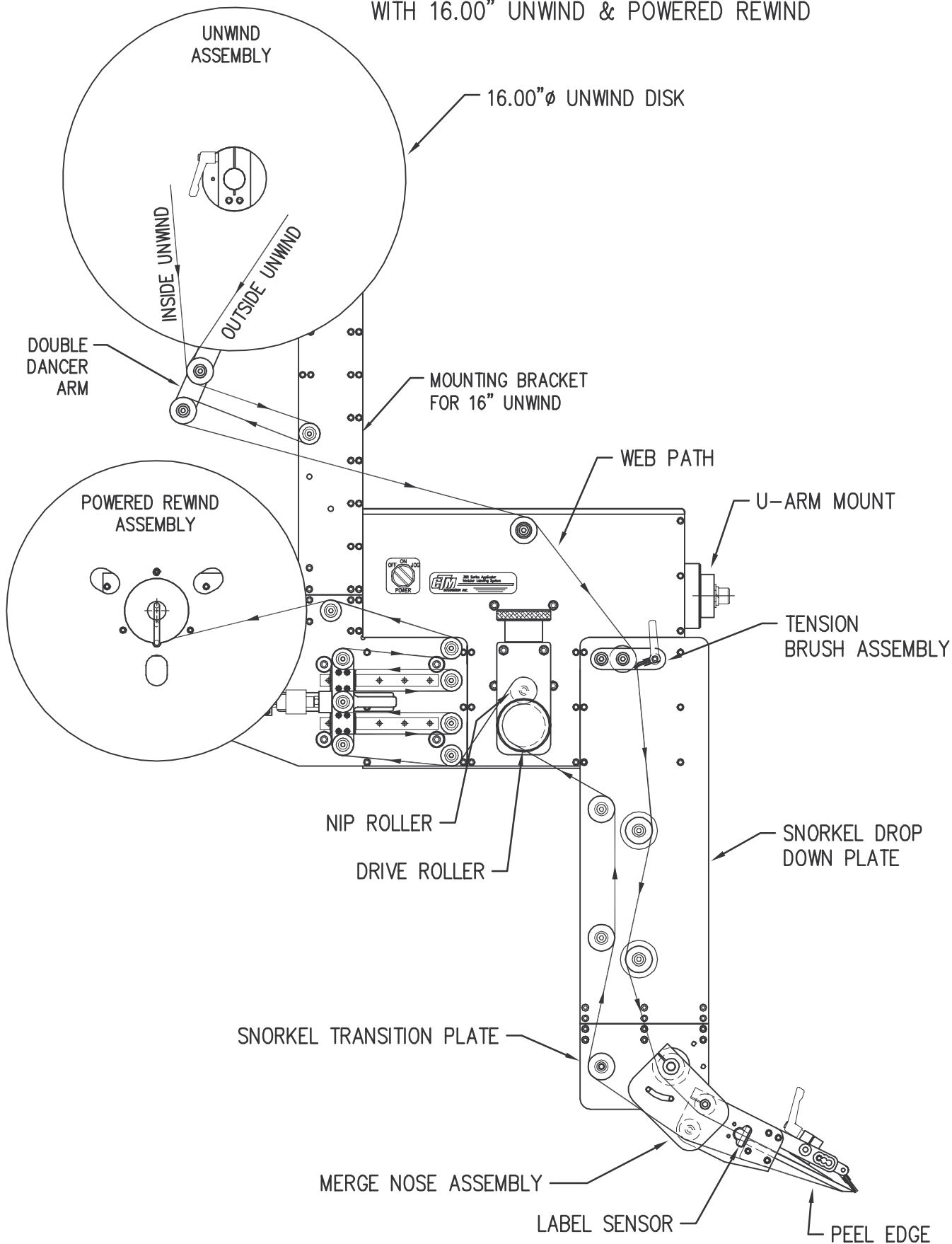
# WEB PATH DIAGRAM

360 SERIES LEFT HAND 18"/24" DROP DOWN MERGE APPLICATOR  
WITH 16.00" UNWIND & POWERED REWIND

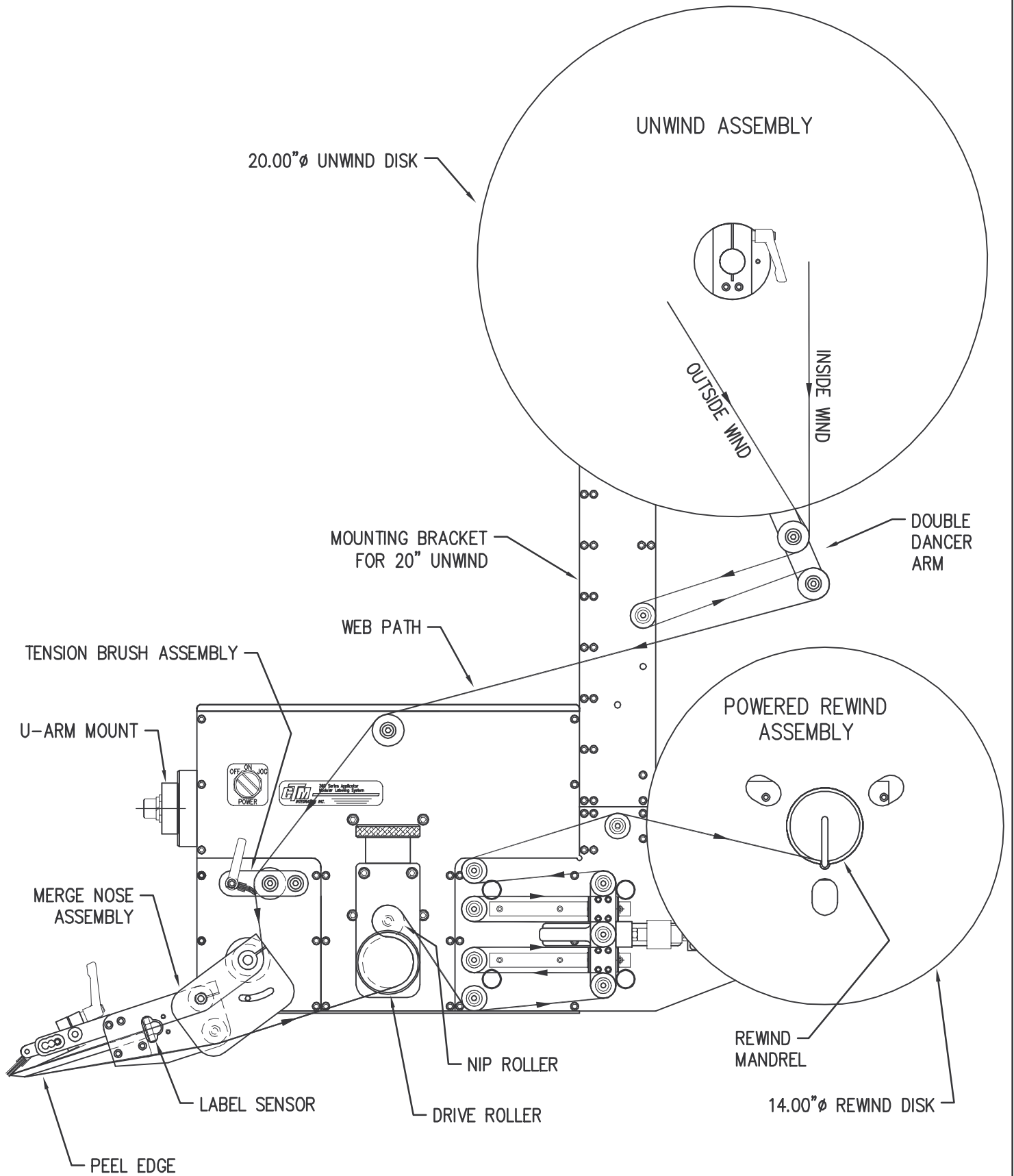


WEB PATH DIAGRAM

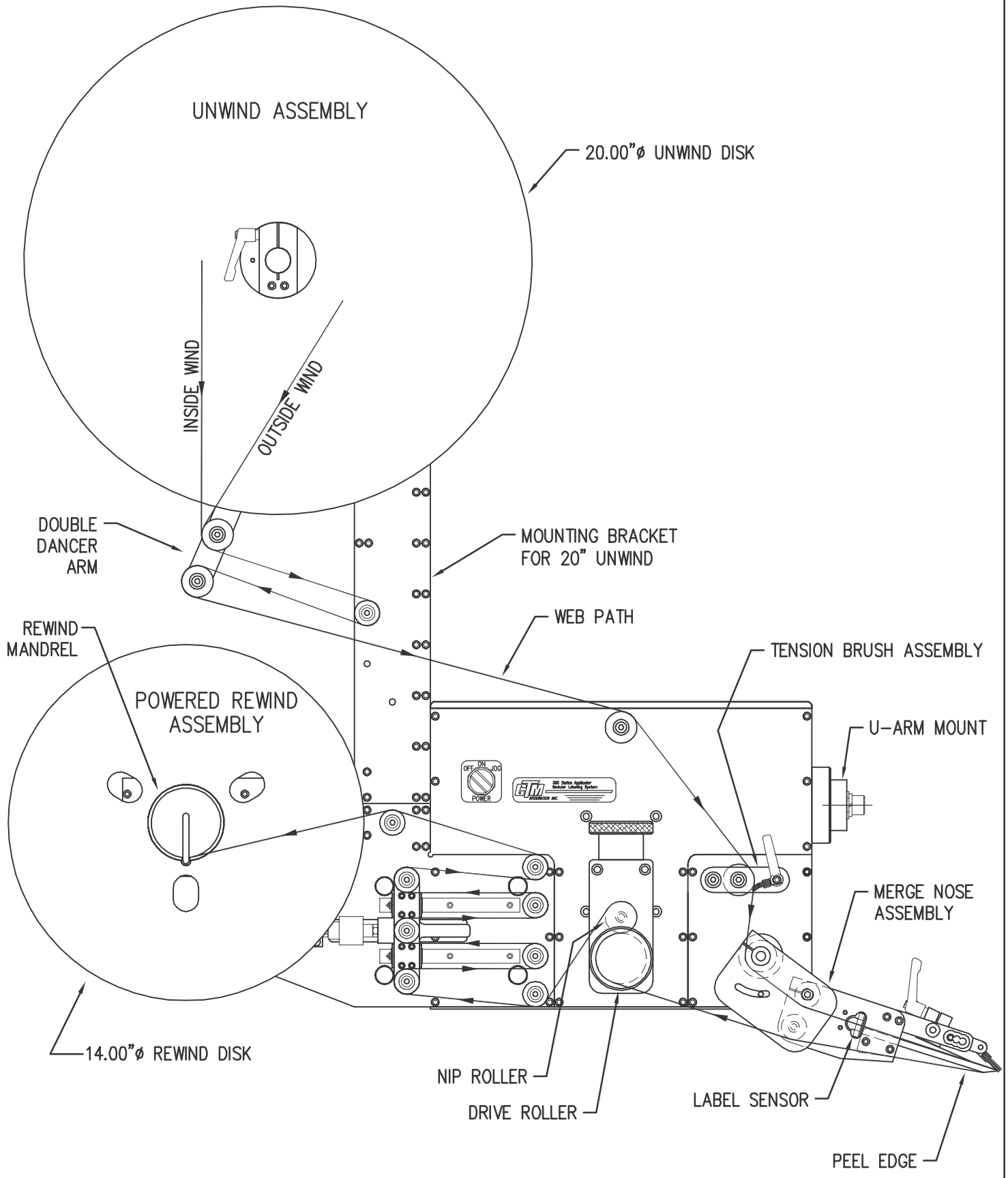
360 SERIES RIGHT HAND 18"/24" DROP DOWN MERGE APPLICATOR  
WITH 16.00" UNWIND & POWERED REWIND



WEB PATH DIAGRAM  
360 SERIES LEFT HAND MERGE APPLICATOR  
WITH 20.00" UNWIND & POWERED REWIND

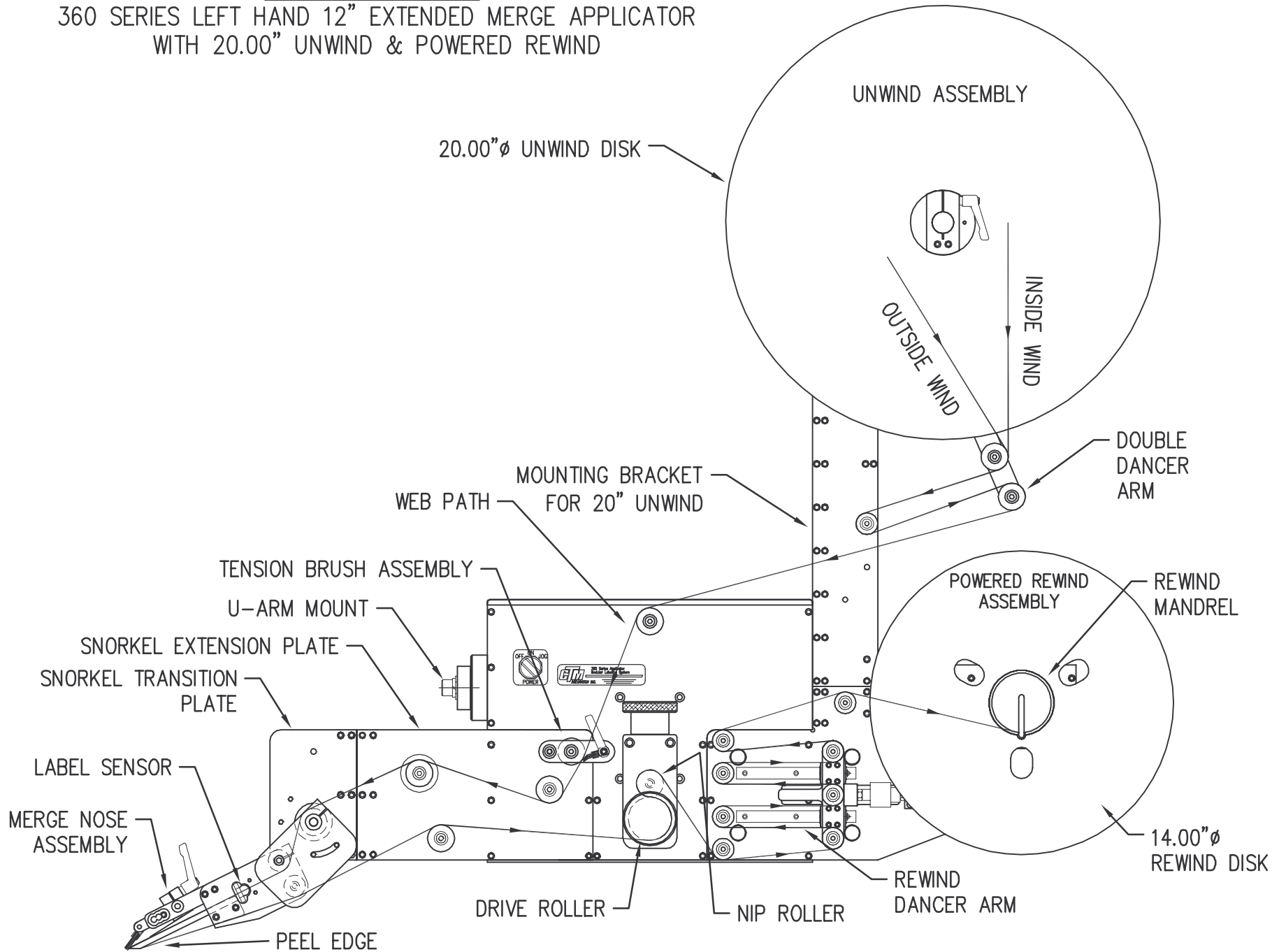


WEB PATH DIAGRAM  
360 SERIES RIGHT HAND MERGE APPLICATOR  
WITH 20.00" UNWIND & POWERED REWIND

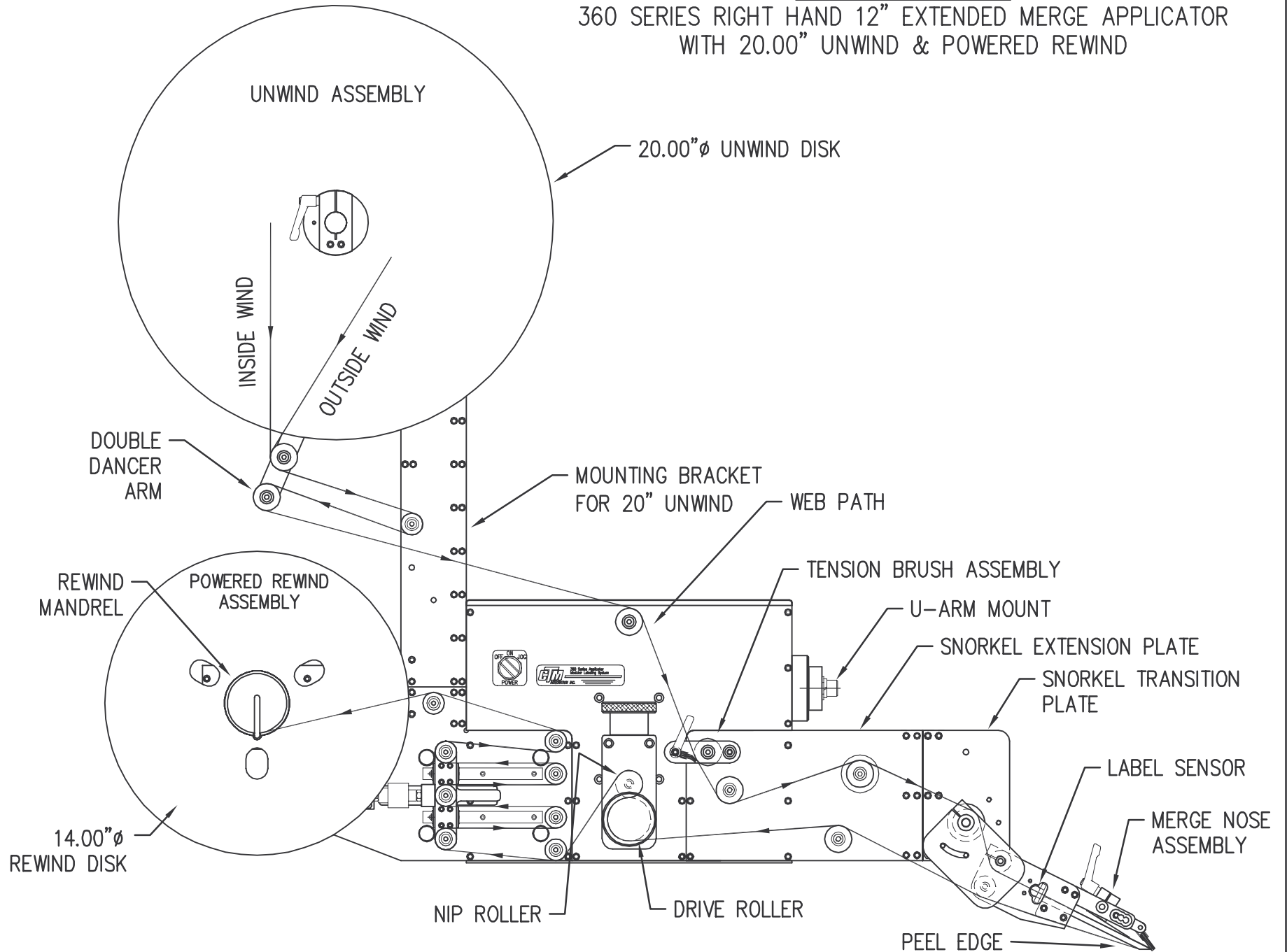


WEB PATH DIAGRAM

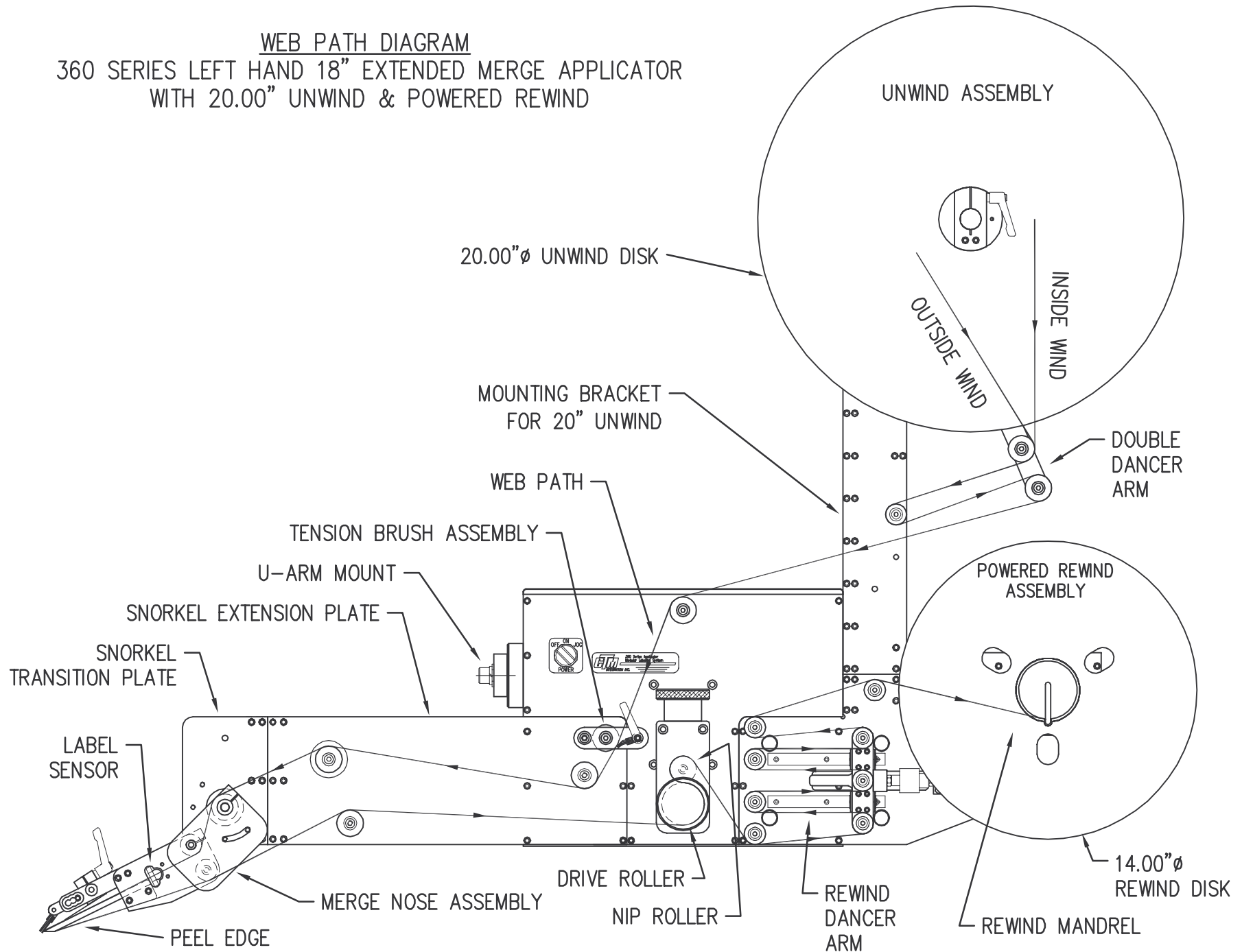
360 SERIES LEFT HAND 12" EXTENDED MERGE APPLICATOR  
WITH 20.00" UNWIND & POWERED REWIND



WEB PATH DIAGRAM  
360 SERIES RIGHT HAND 12" EXTENDED MERGE APPLICATOR  
WITH 20.00" UNWIND & POWERED REWIND



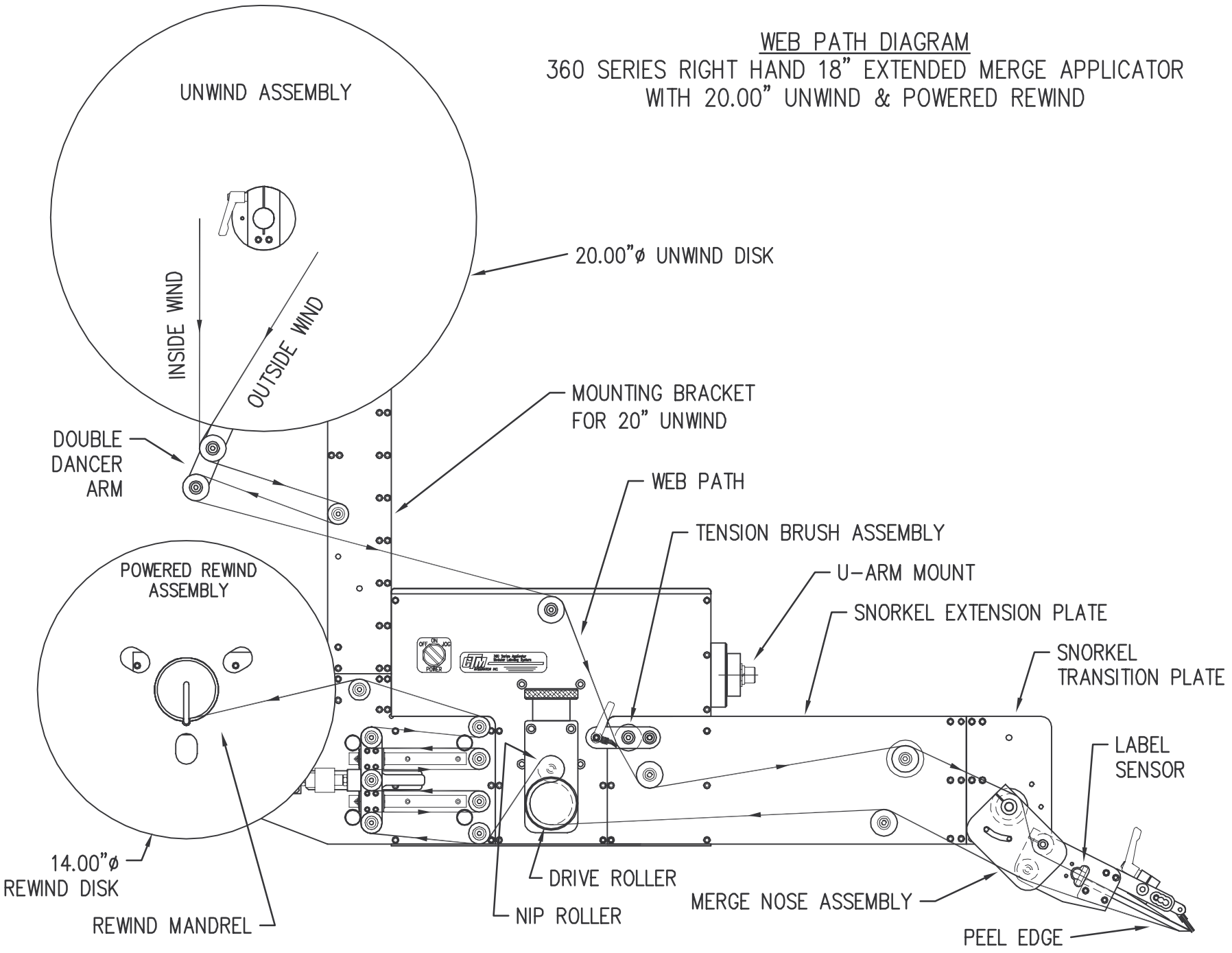
WEB PATH DIAGRAM  
 360 SERIES LEFT HAND 18" EXTENDED MERGE APPLICATOR  
 WITH 20.00" UNWIND & POWERED REWIND



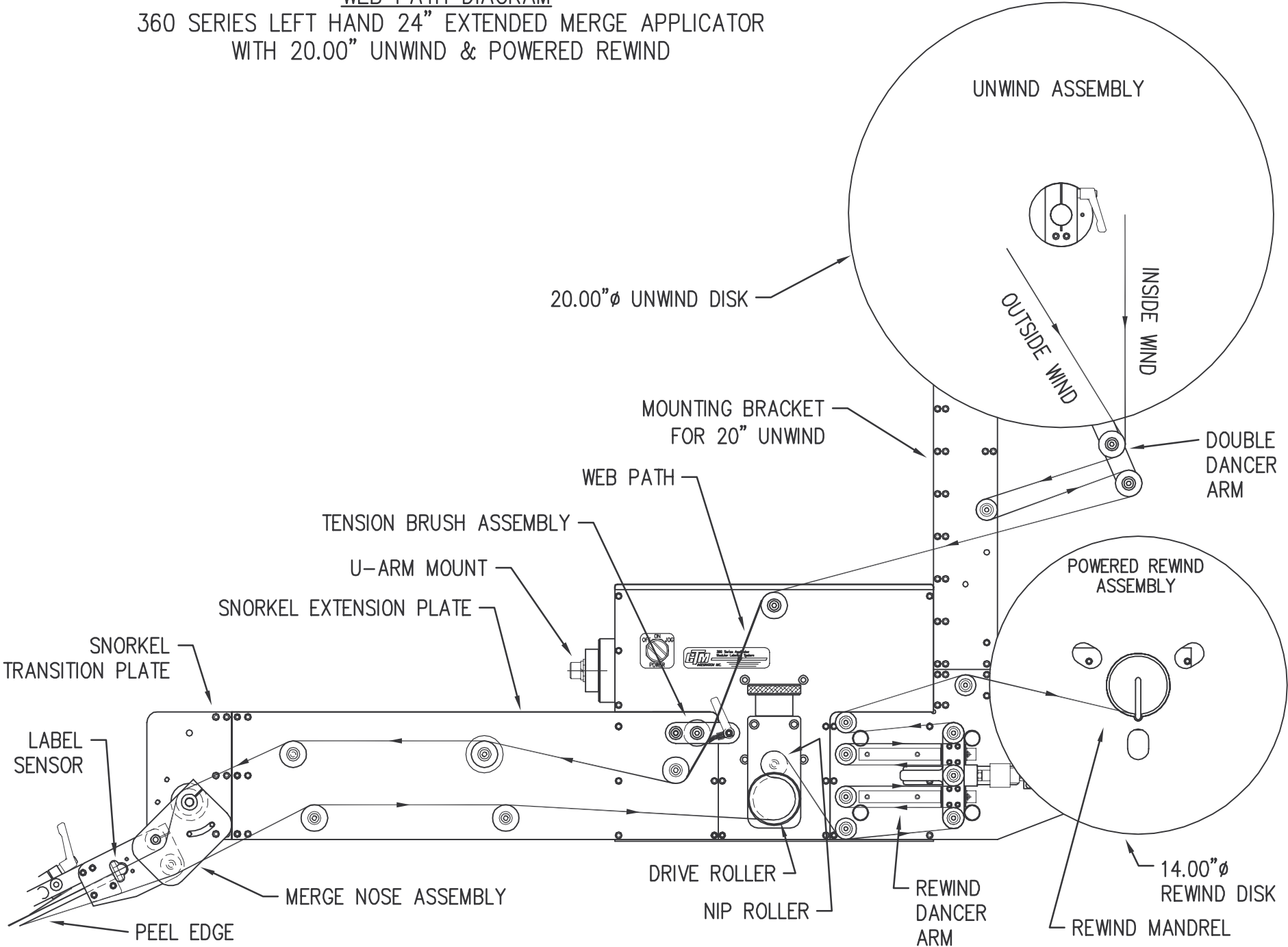


WEB PATH DIAGRAM

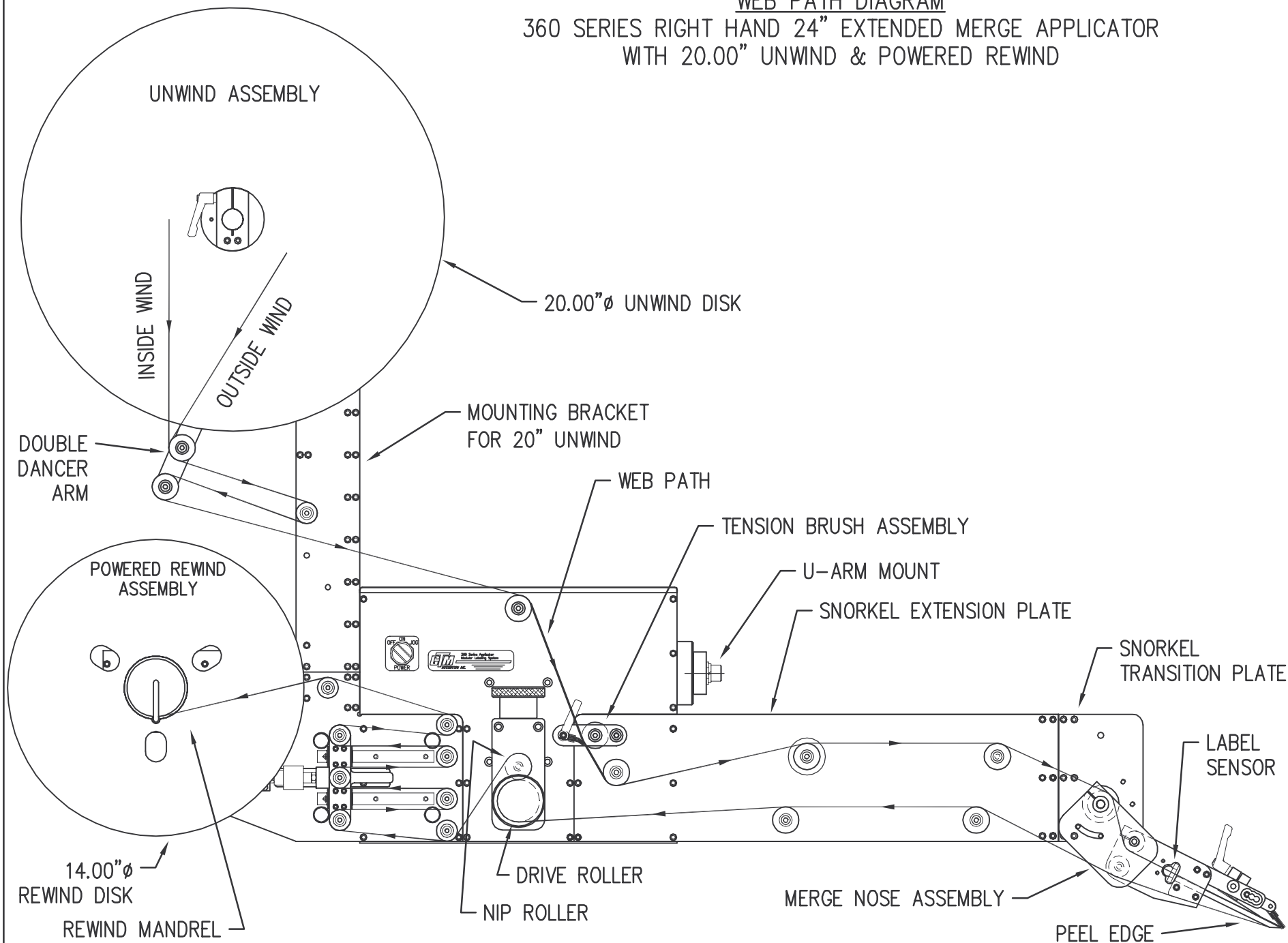
360 SERIES RIGHT HAND 18" EXTENDED MERGE APPLICATOR  
WITH 20.00" UNWIND & POWERED REWIND



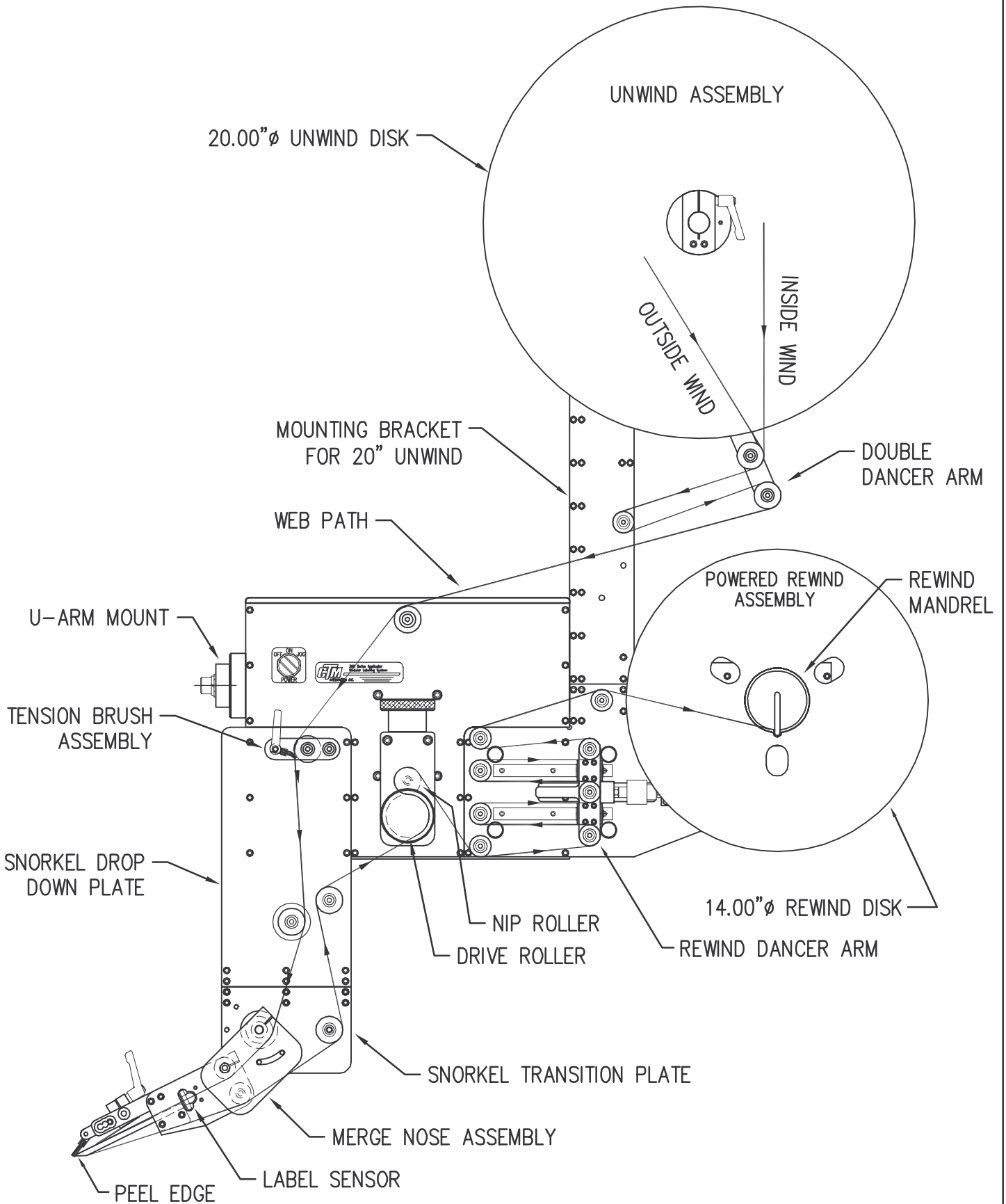
WEB PATH DIAGRAM  
360 SERIES LEFT HAND 24" EXTENDED MERGE APPLICATOR  
WITH 20.00" UNWIND & POWERED REWIND



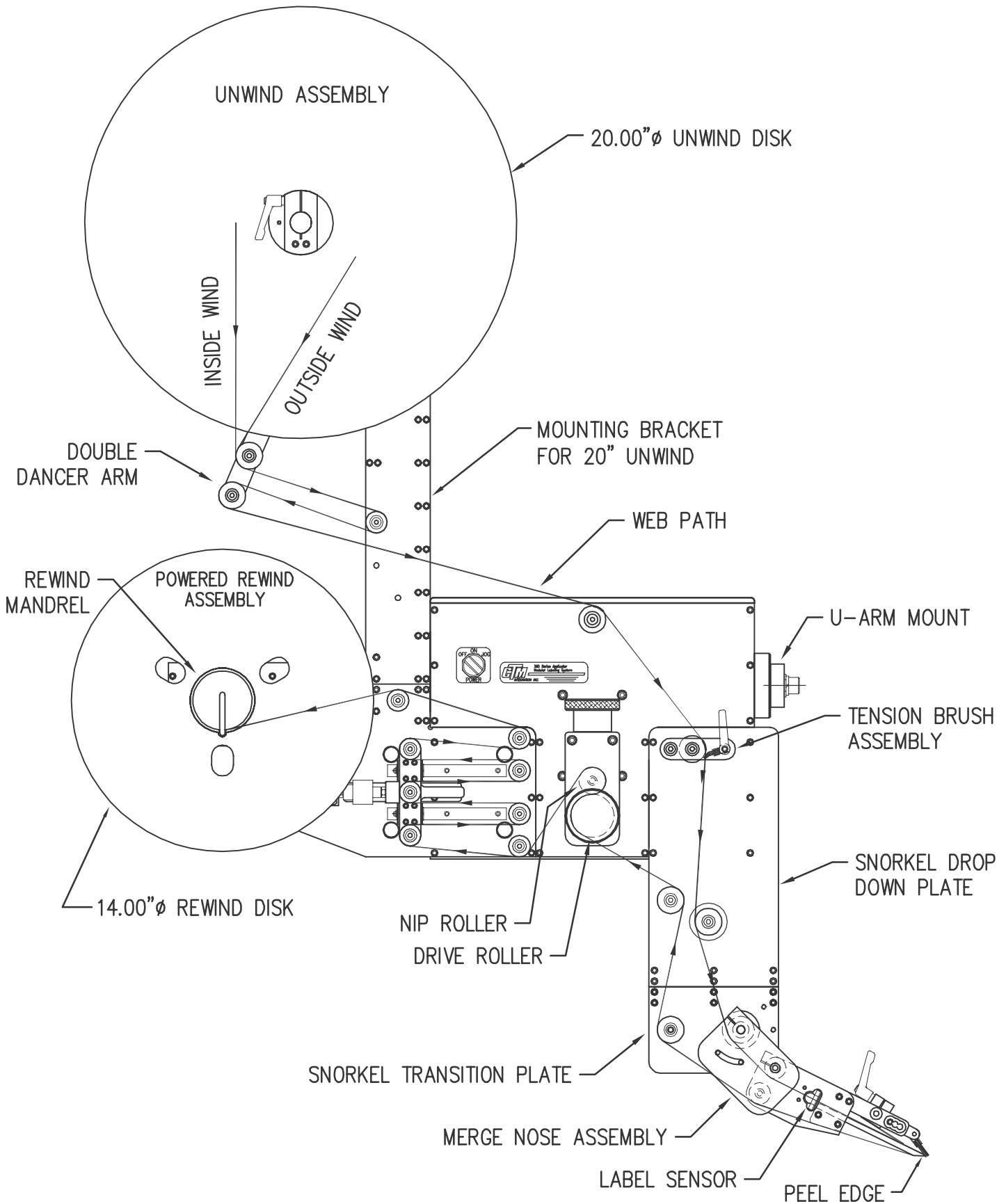
WEB PATH DIAGRAM  
360 SERIES RIGHT HAND 24" EXTENDED MERGE APPLICATOR  
WITH 20.00" UNWIND & POWERED REWIND



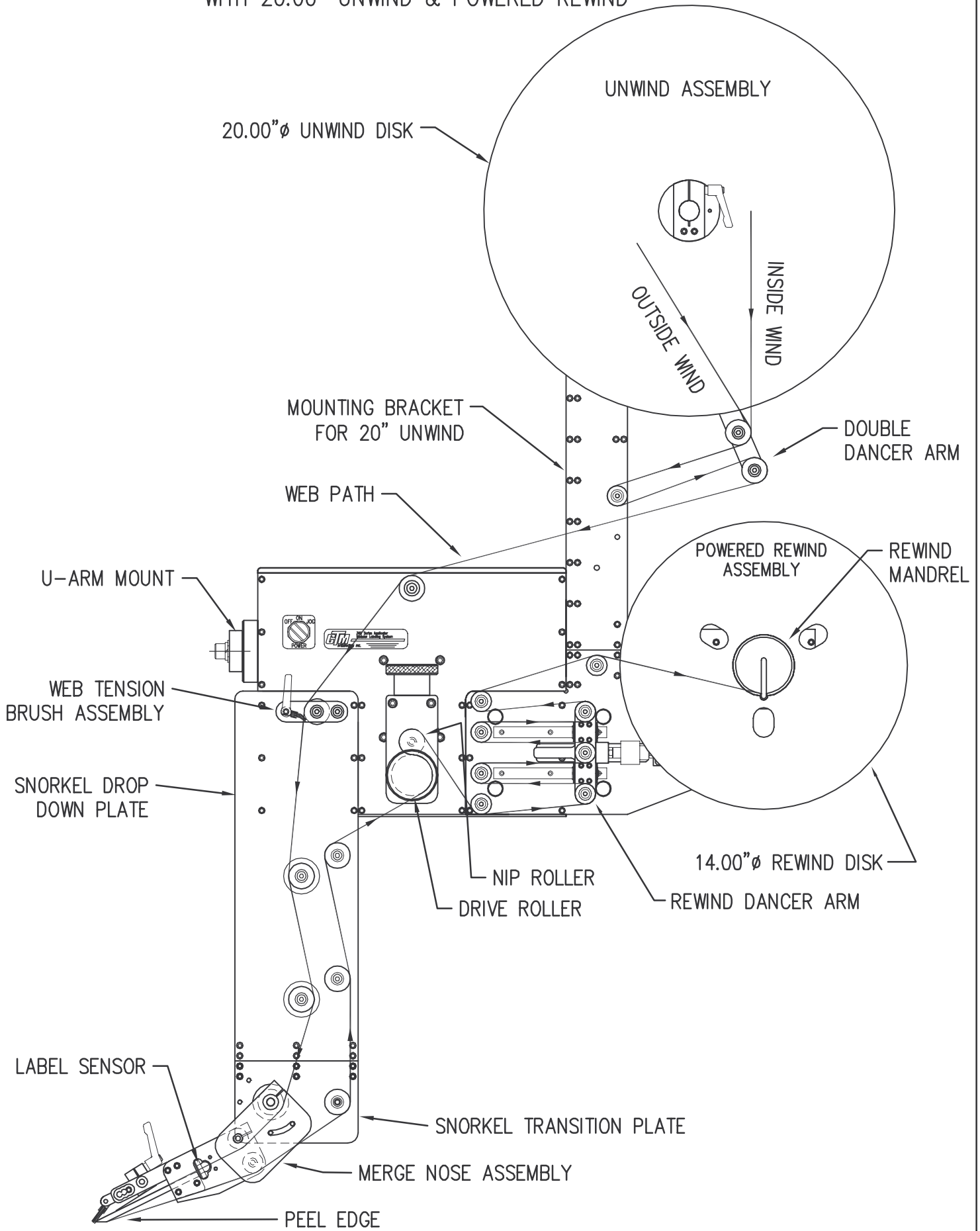
WEB PATH DIAGRAM  
360 SERIES LEFT HAND 12" DROP DOWN MERGE APPLICATOR  
WITH 20.00" UNWIND & POWERED REWIND



WEB PATH DIAGRAM  
360 SERIES RIGHT HAND 12" DROP DOWN MERGE APPLICATOR  
WITH 20.00" UNWIND & POWERED REWIND

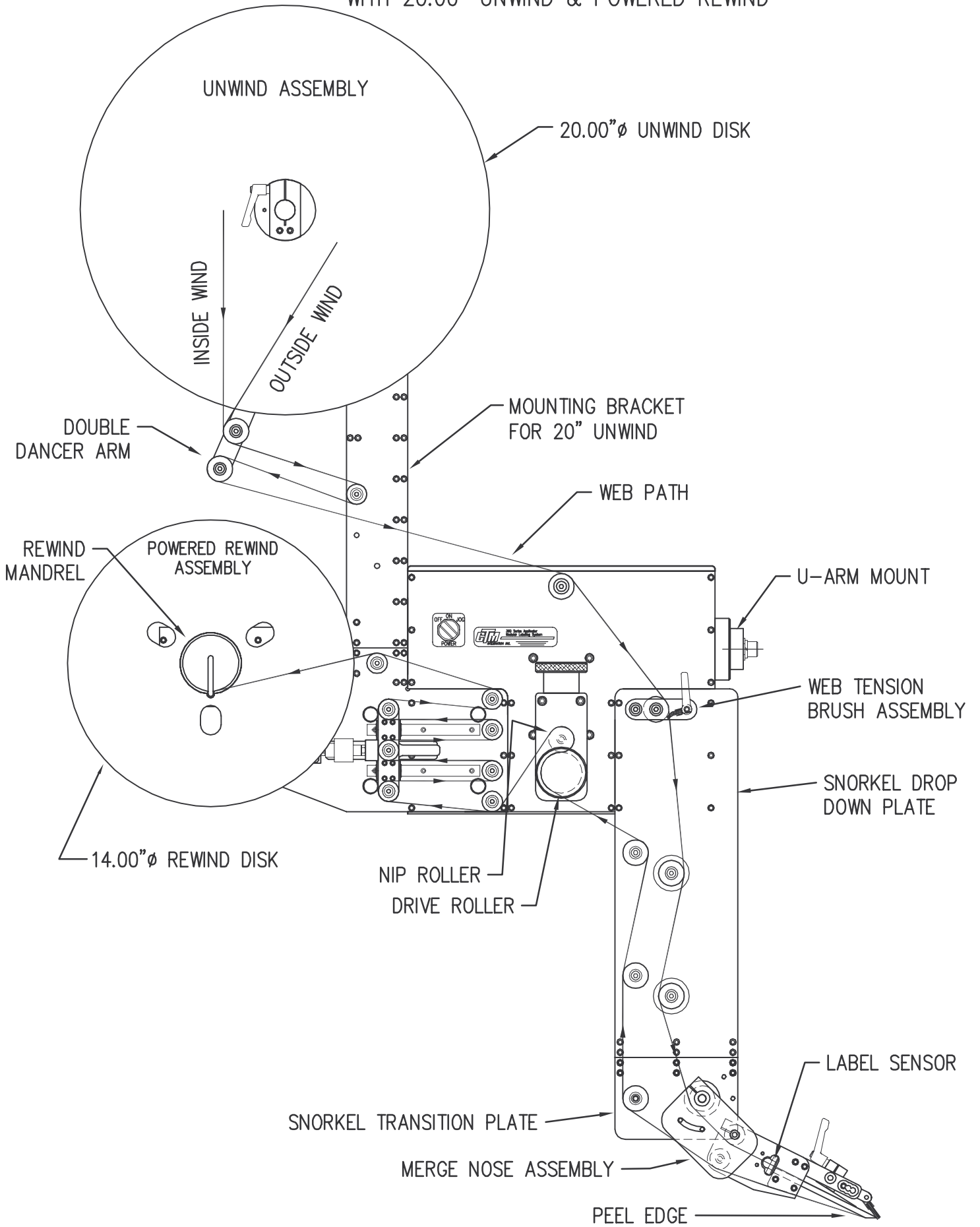


WEB PATH DIAGRAM  
360 SERIES LEFT HAND 18"/24" DROP DOWN MERGE APPLICATOR  
WITH 20.00" UNWIND & POWERED REWIND

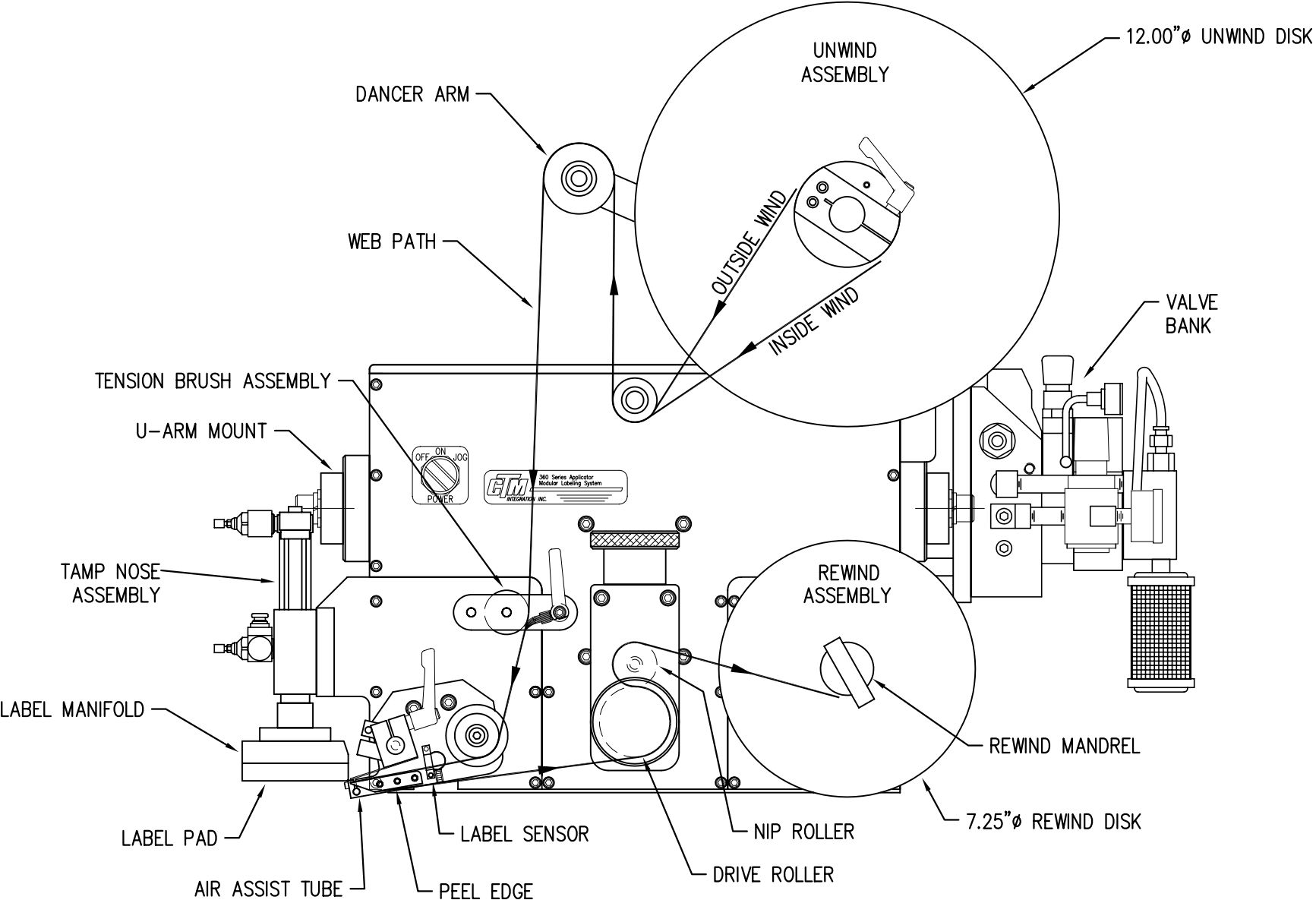


WEB PATH DIAGRAM

360 SERIES RIGHT HAND 18"/24" DROP DOWN MERGE APPLICATOR  
WITH 20.00" UNWIND & POWERED REWIND

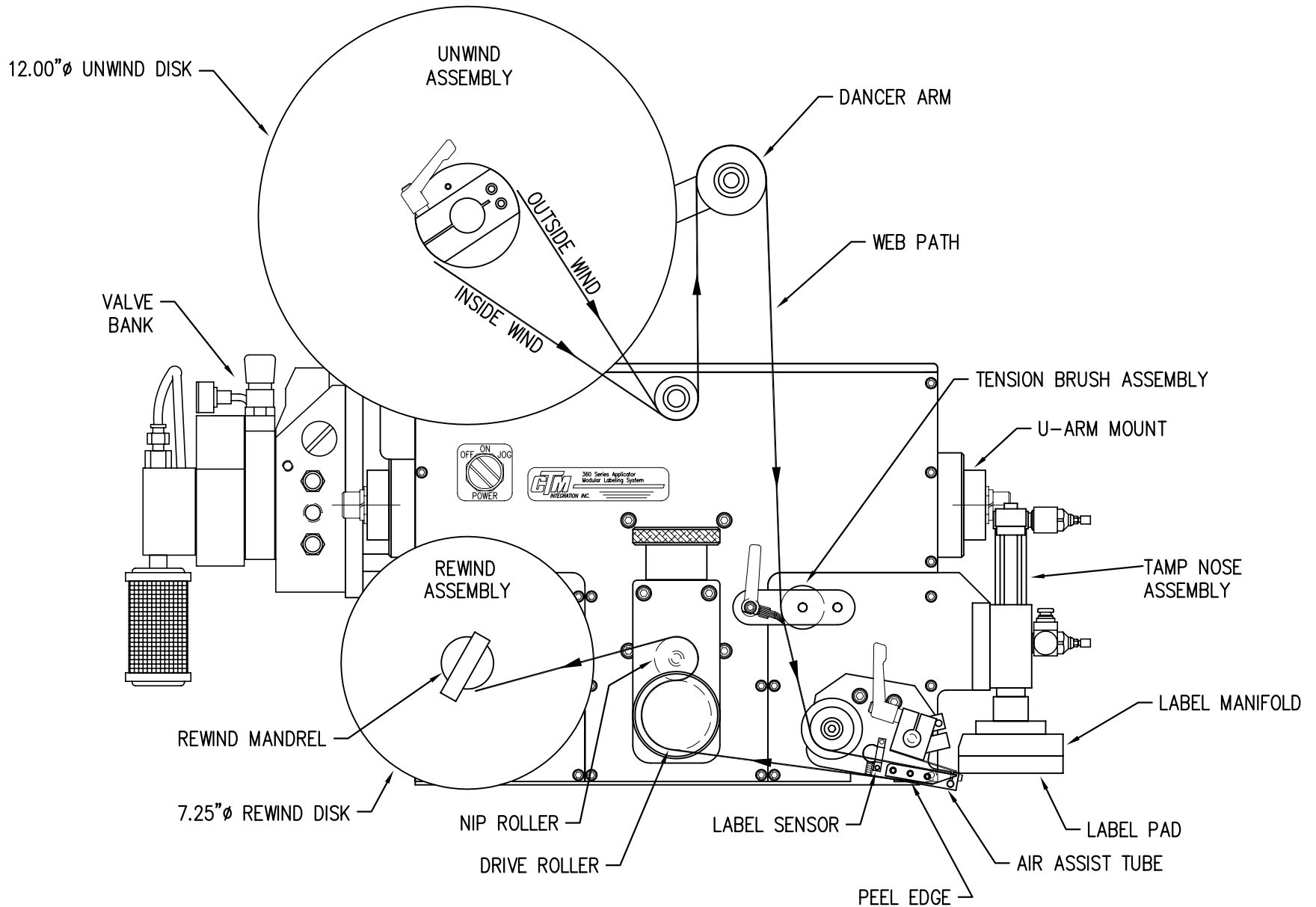


WEB PATH DIAGRAM  
360 SERIES LEFT HAND TAMP APPLICATOR  
WITH 12" UNWIND

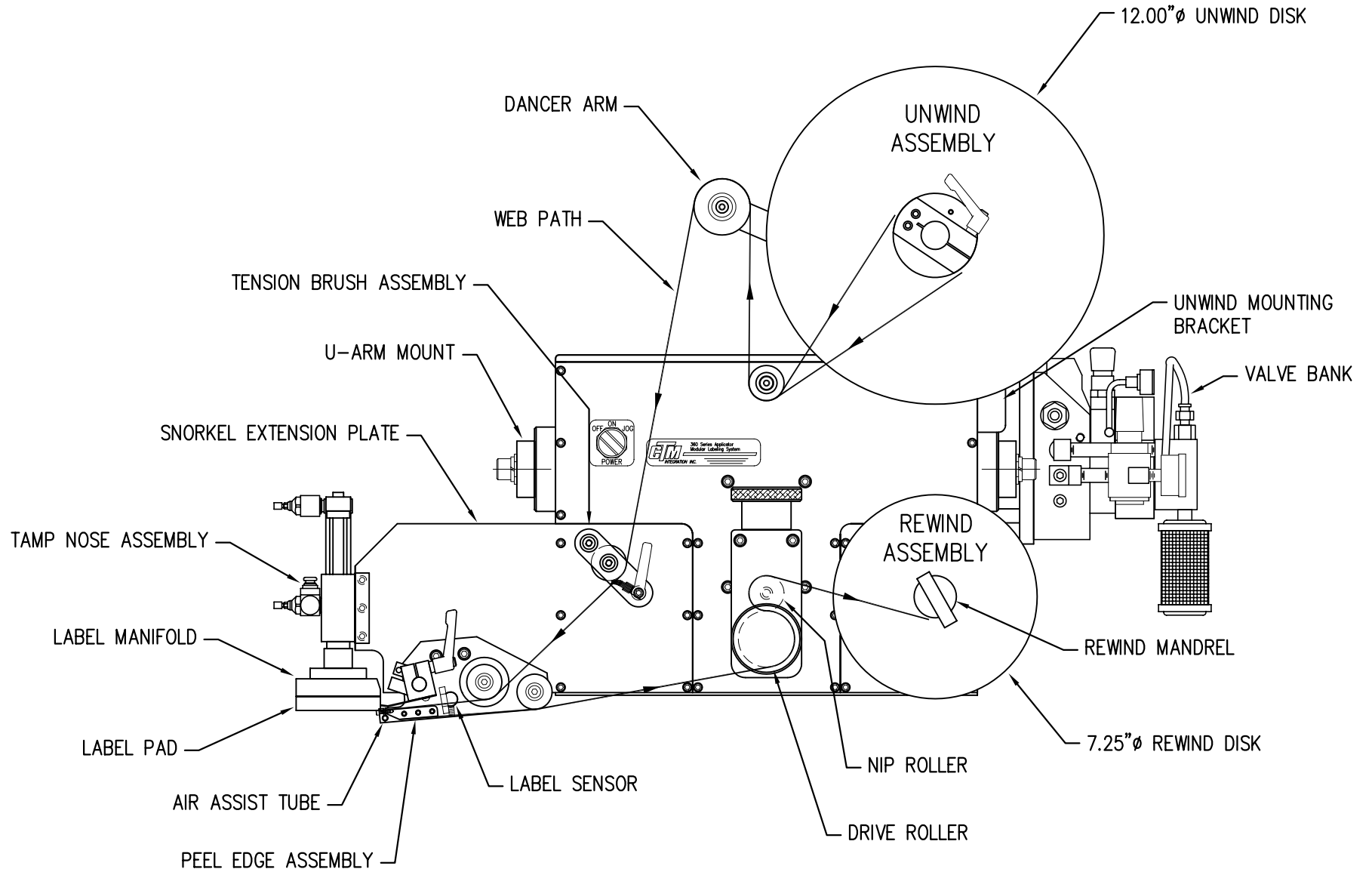




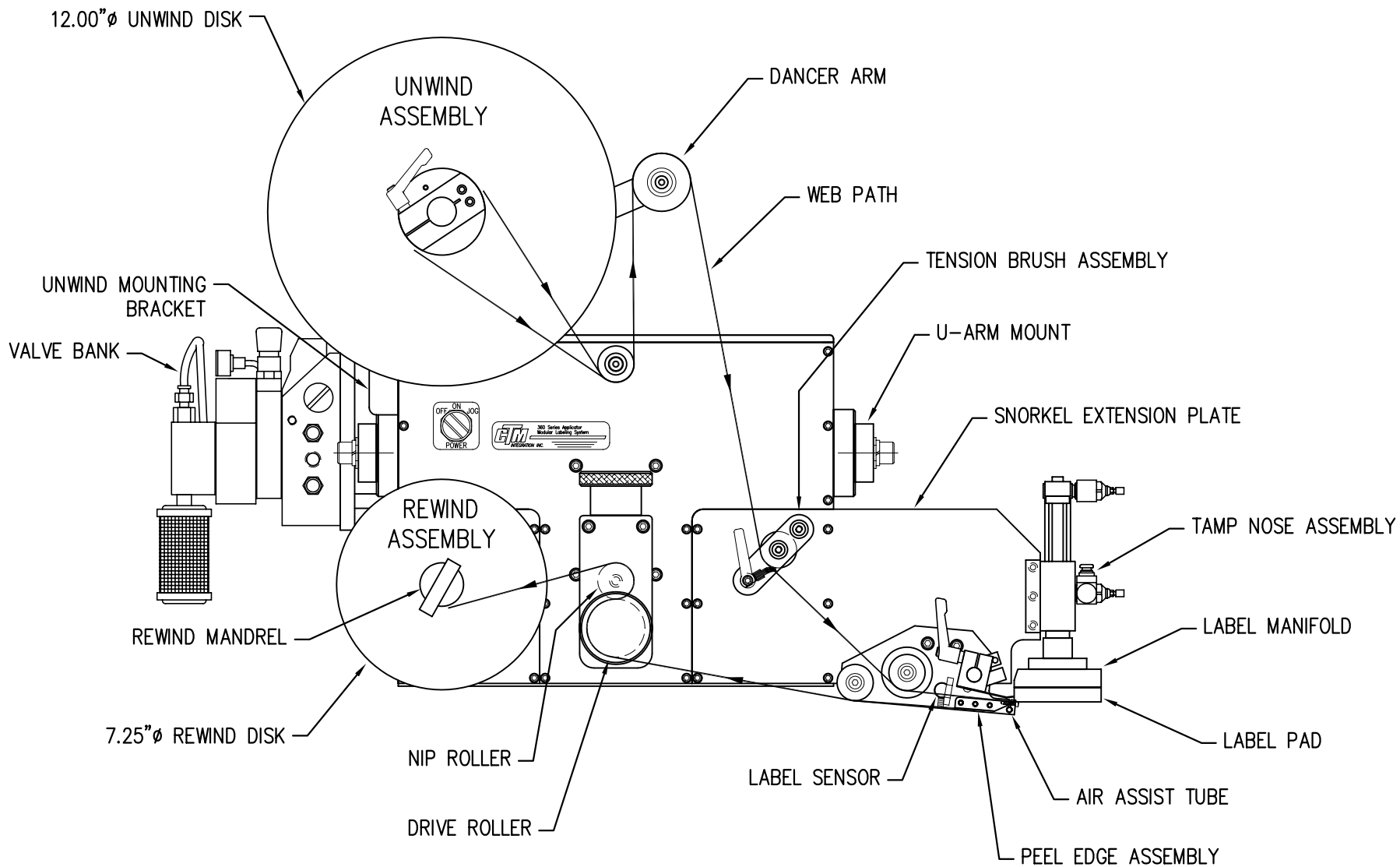
WEB PATH DIAGRAM  
360 SERIES RIGHT HAND TAMP APPLICATOR  
WITH 12" UNWIND



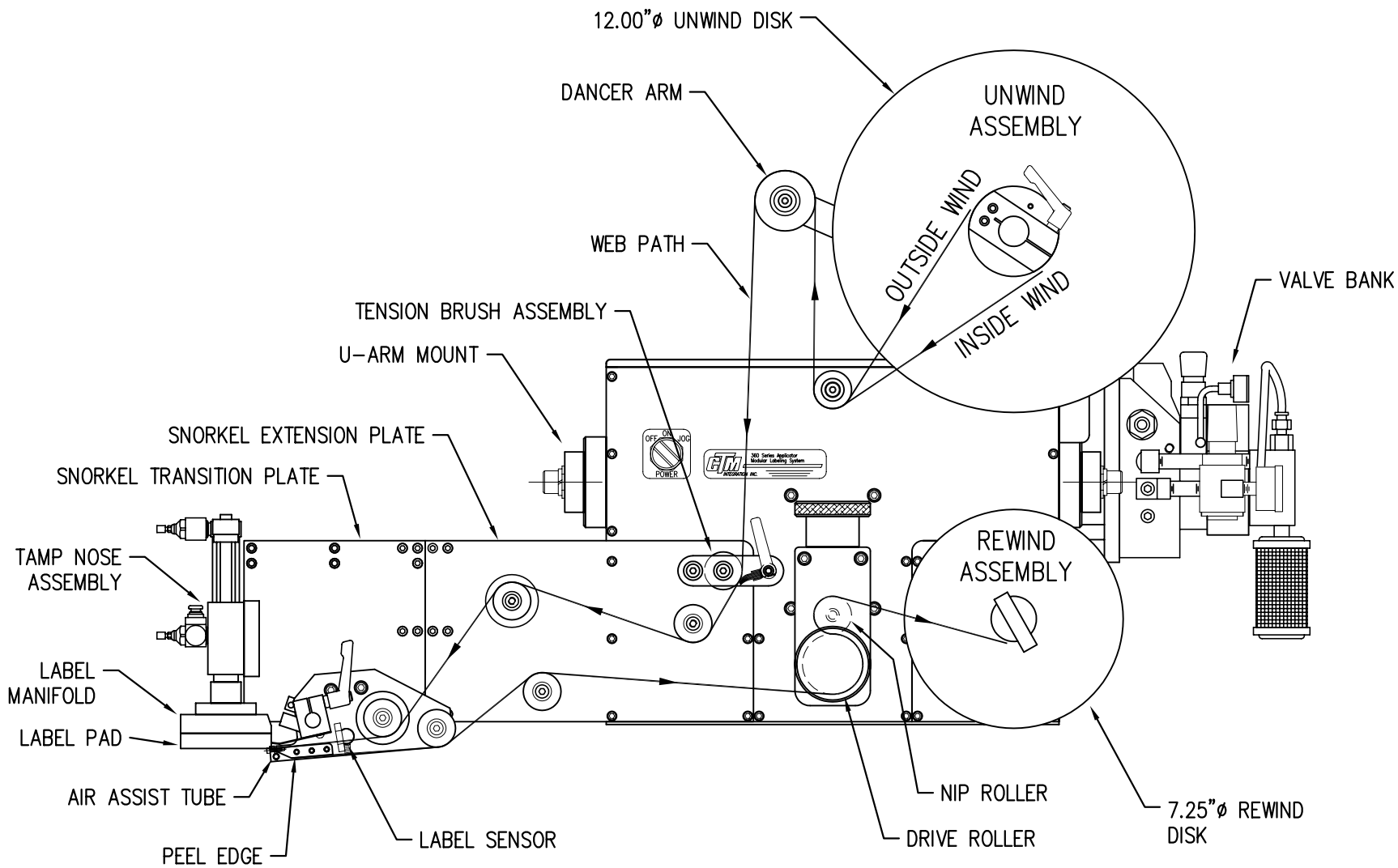
WEB PATH DIAGRAM  
360 SERIES LEFT HAND 6" EXTENDED TAMP APPLICATOR  
WITH 12.00" UNWIND



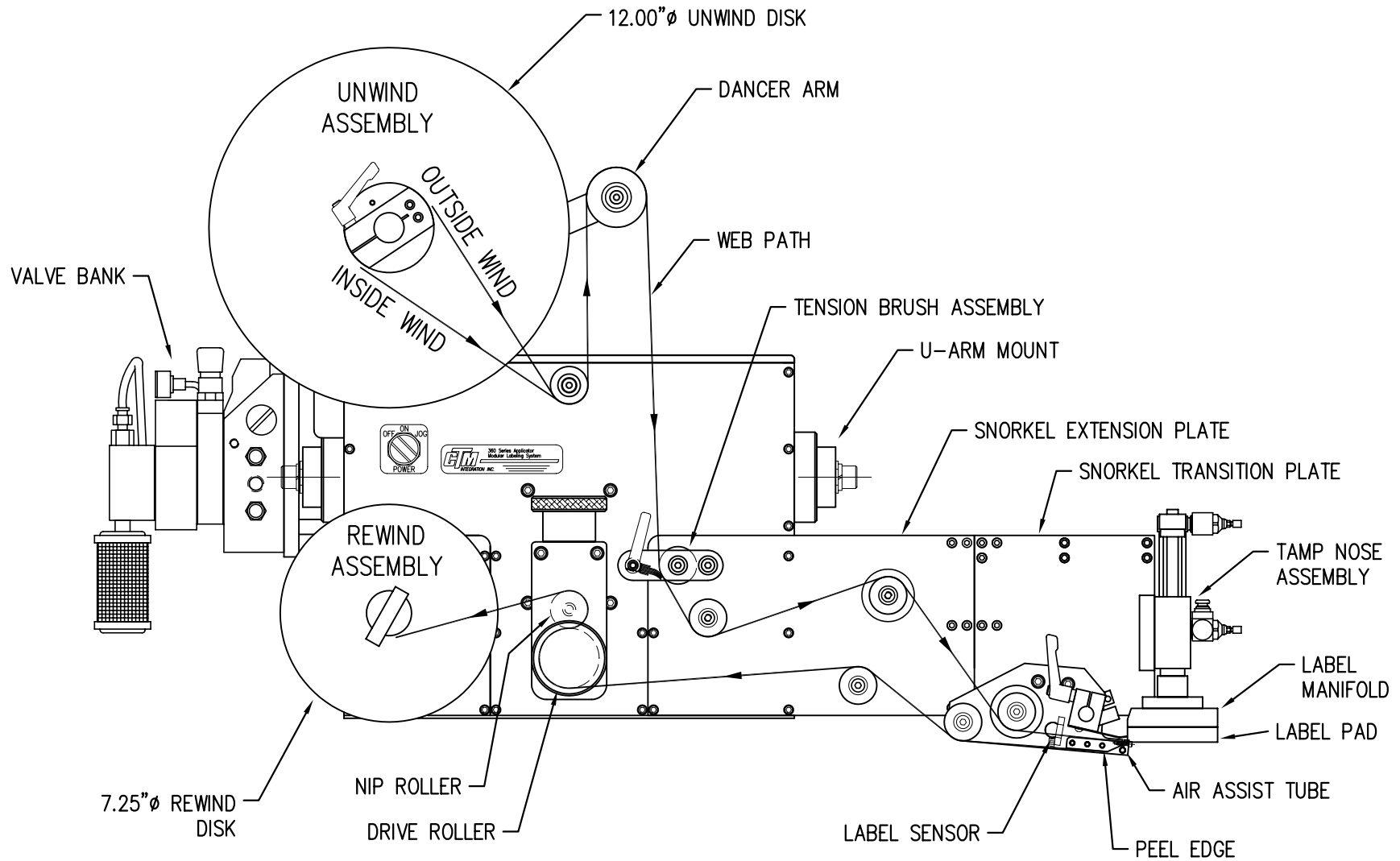
WEB PATH DIAGRAM  
360 SERIES RIGHT HAND 6" EXTENDED TAMP APPLICATOR  
WITH 12.00" UNWIND



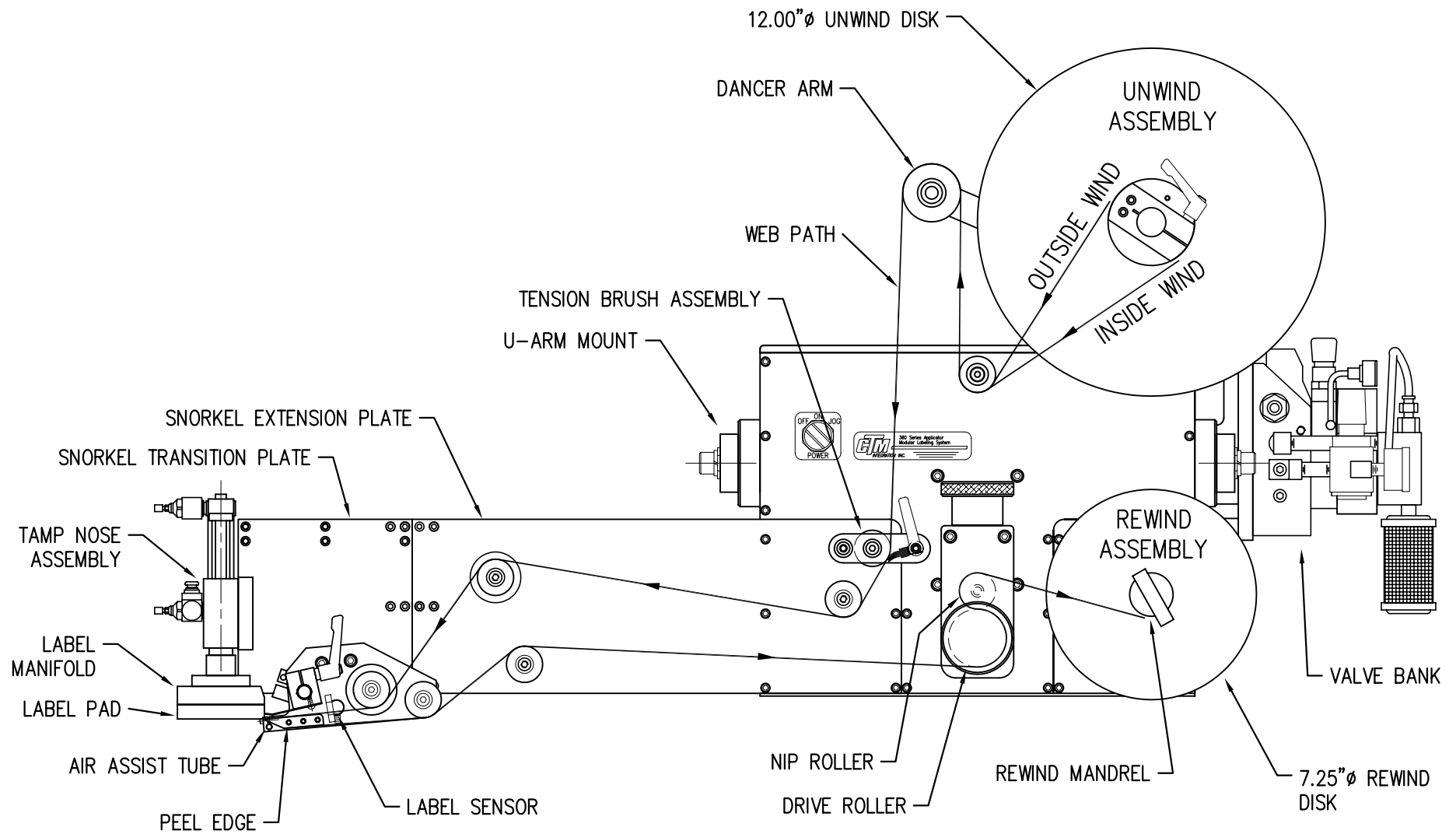
WEB PATH DIAGRAM  
360 SERIES LEFT HAND 12" EXTENDED TAMP APPLICATOR  
WITH 12.00" UNWIND



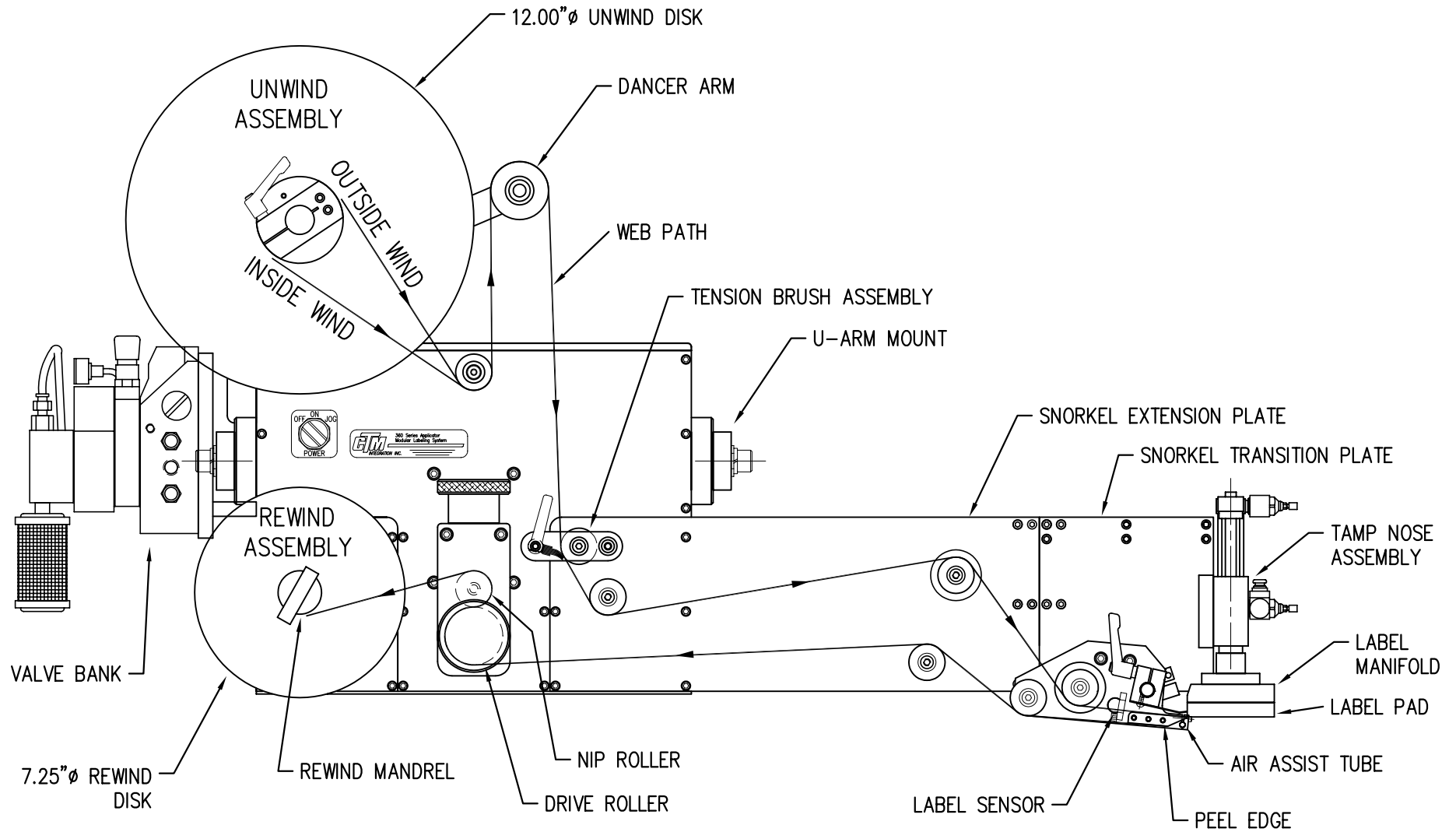
WEB PATH DIAGRAM  
360 SERIES RIGHT HAND 12" EXTENDED TAMP APPLICATOR  
WITH 12.00" UNWIND



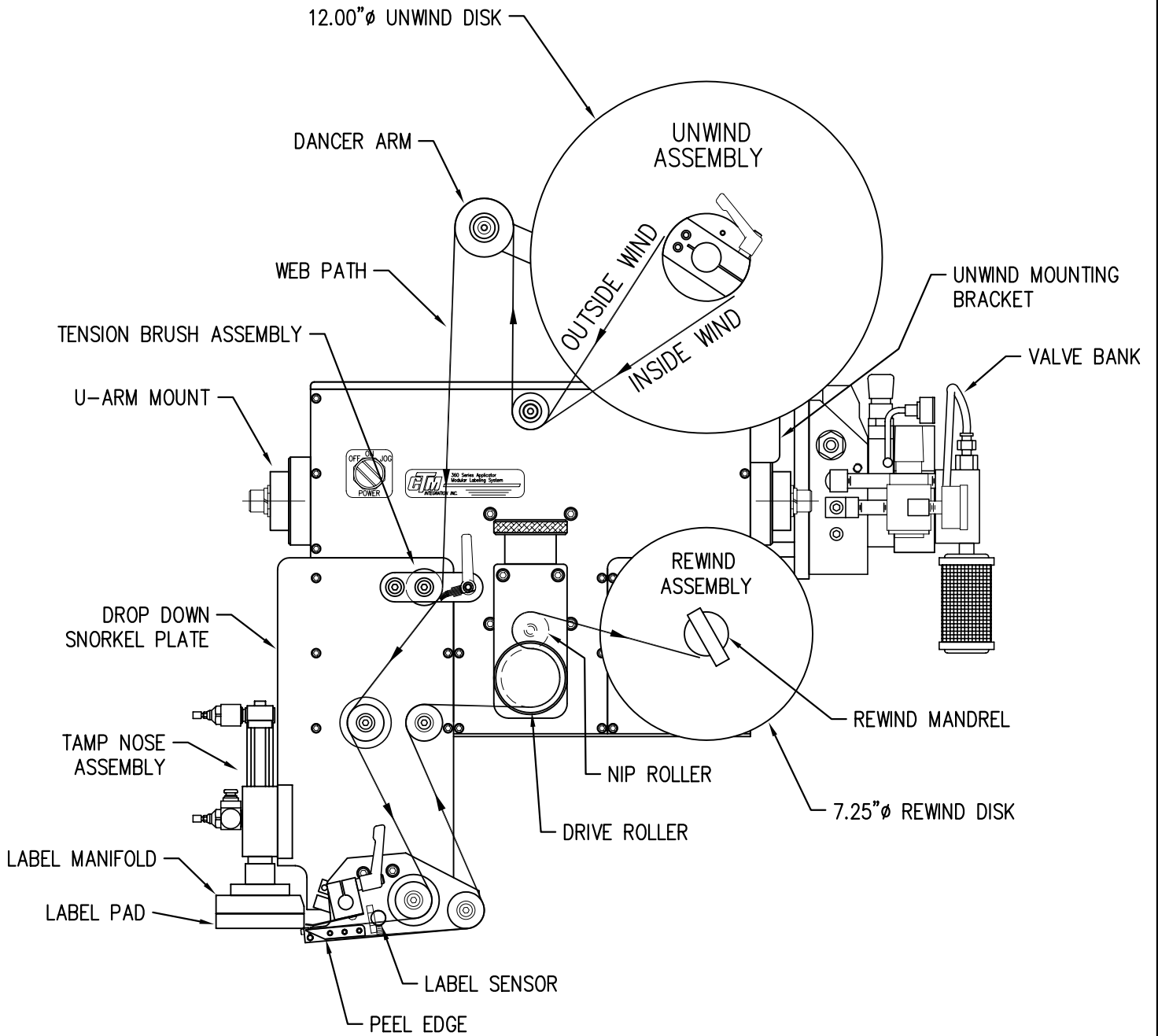
WEB PATH DIAGRAM  
360 SERIES LEFT HAND 18"/24" EXTENDED TAMP APPLICATOR  
WITH 12.00" UNWIND



WEB PATH DIAGRAM  
360 SERIES RIGHT HAND 18"/24" EXTENDED TAMP APPLICATOR  
WITH 12.00" UNWIND

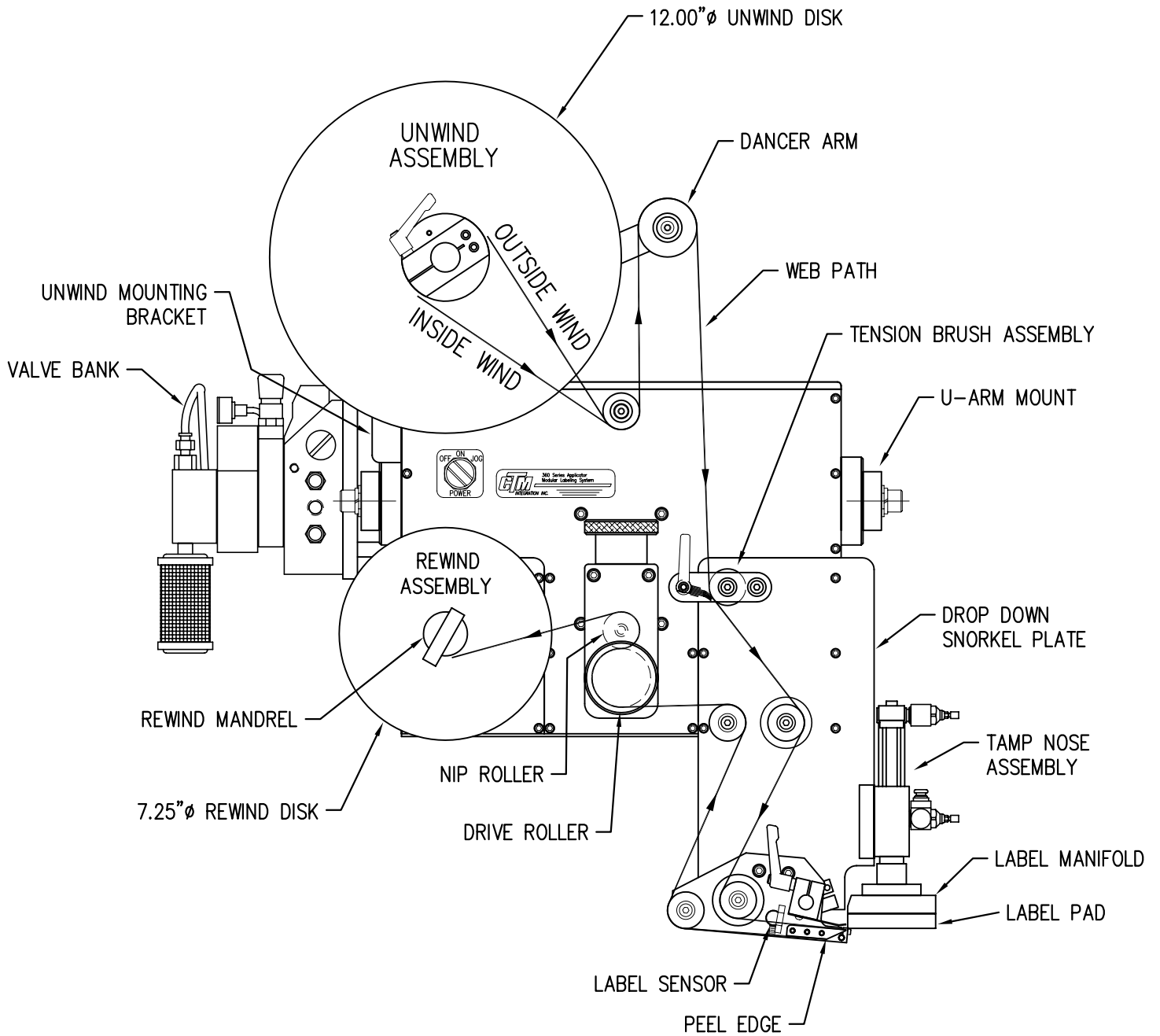


WEB PATH DIAGRAM  
360 SERIES LEFT HAND 6" DROP DOWN TAMP APPLICATOR  
WITH 12" UNWIND

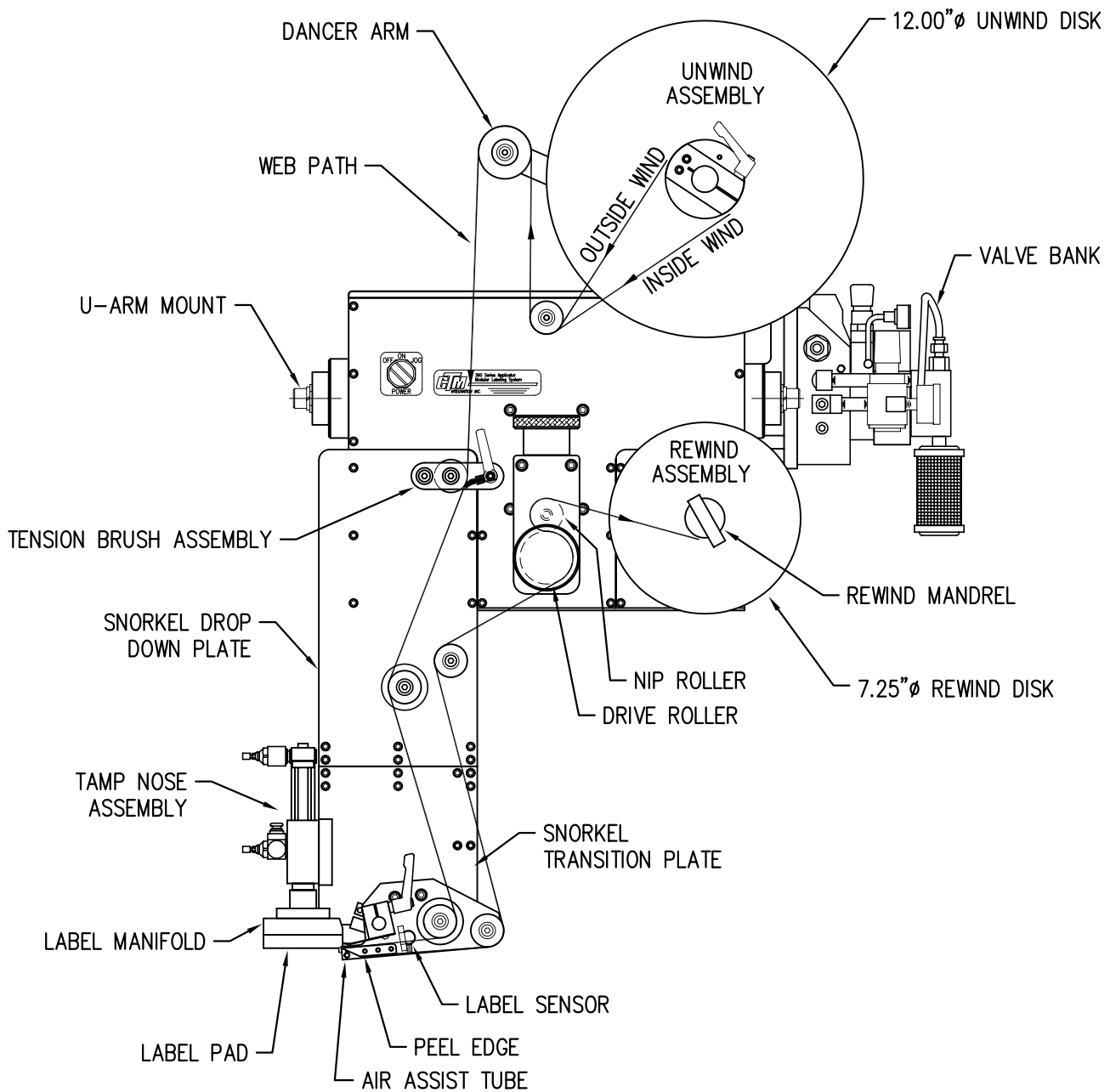




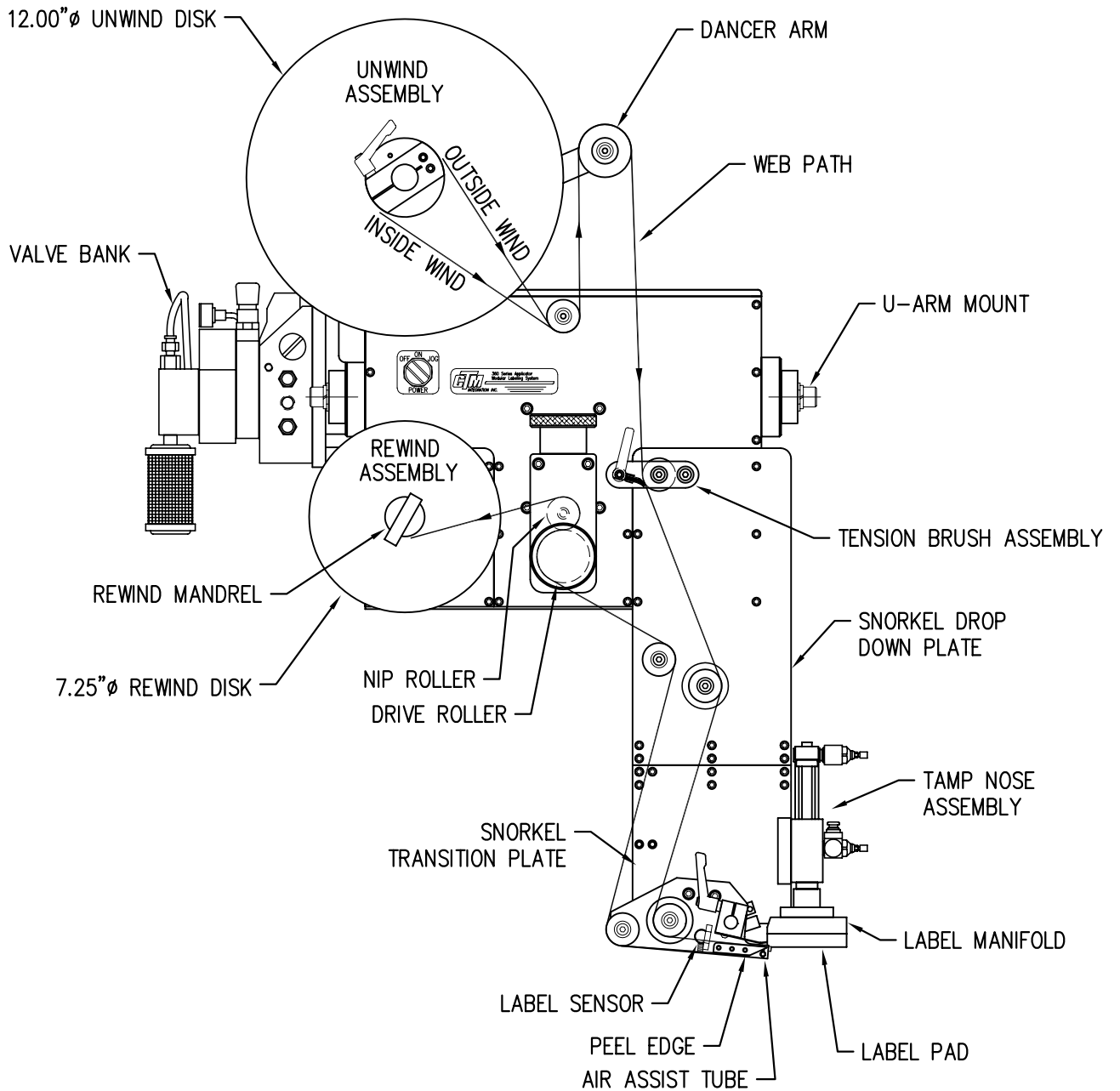
WEB PATH DIAGRAM  
360 SERIES RIGHT HAND 6" DROP DOWN TAMP APPLICATOR  
WITH 12" UNWIND



WEB PATH DIAGRAM  
360 SERIES LEFT HAND 12" DROP DOWN TAMP APPLICATOR  
WITH 12.00" UNWIND

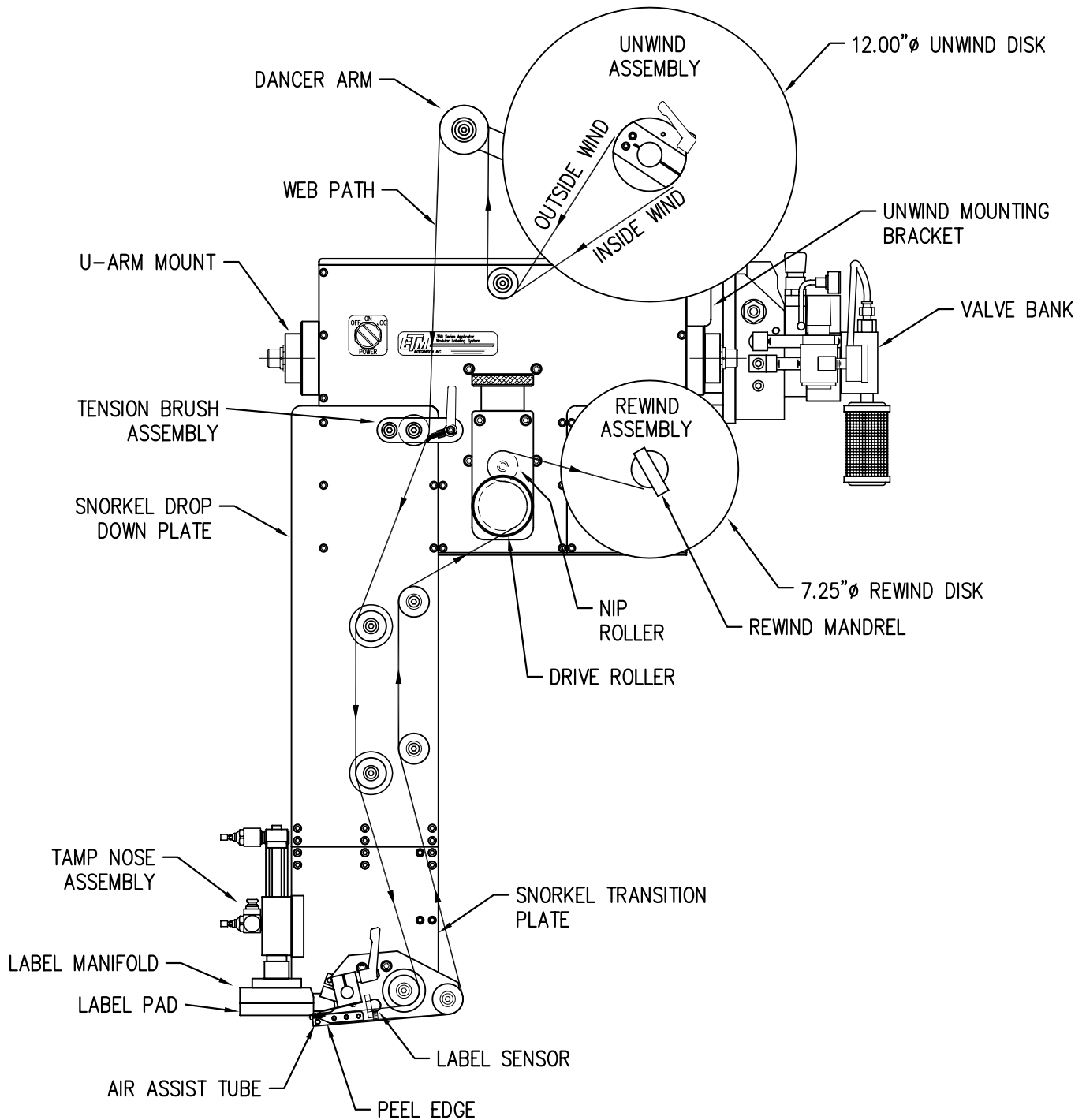


WEB PATH DIAGRAM  
 360 SERIES RIGHT HAND 12" DROP DOWN TAMP APPLICATOR  
 WITH 12.00" UNWIND



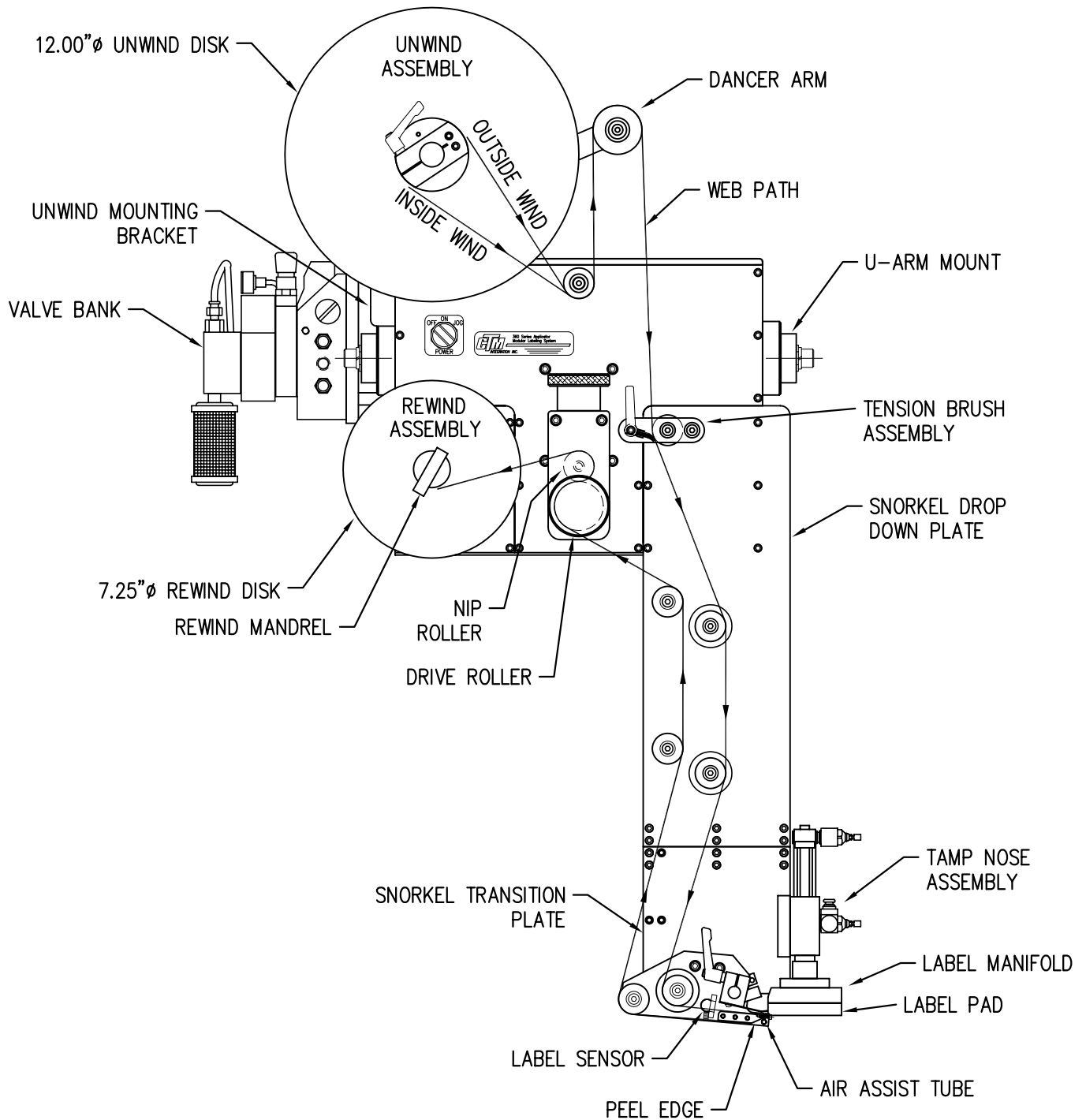
WEB PATH DIAGRAM

360 SERIES LEFT HAND 18"/24" DROP DOWN TAMP APPLICATOR  
WITH 12.00" UNWIND

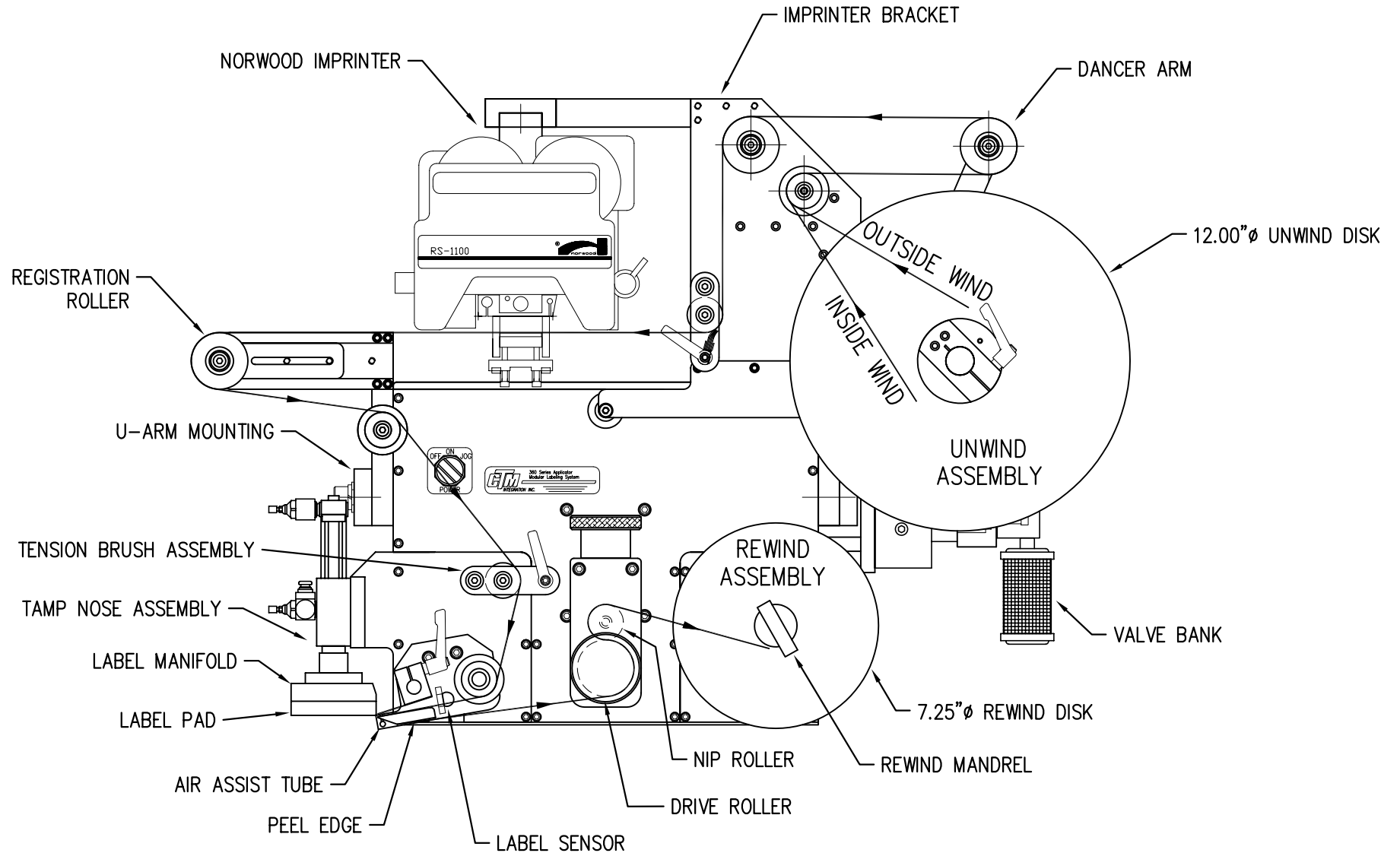


# WEB PATH DIAGRAM

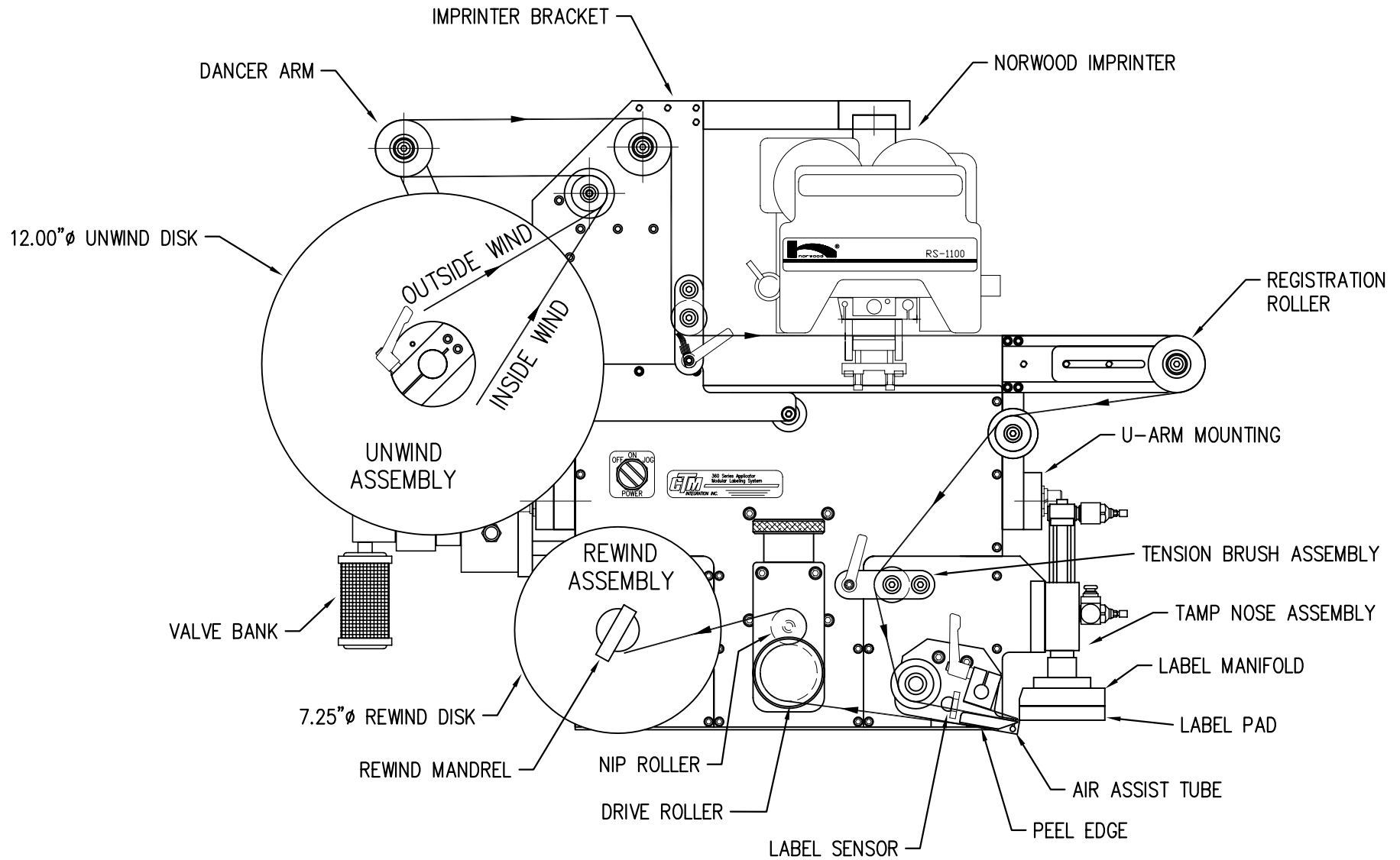
360 SERIES RIGHT HAND 18"/24" DROP DOWN TAMP APPLICATOR  
WITH 12.00" UNWIND



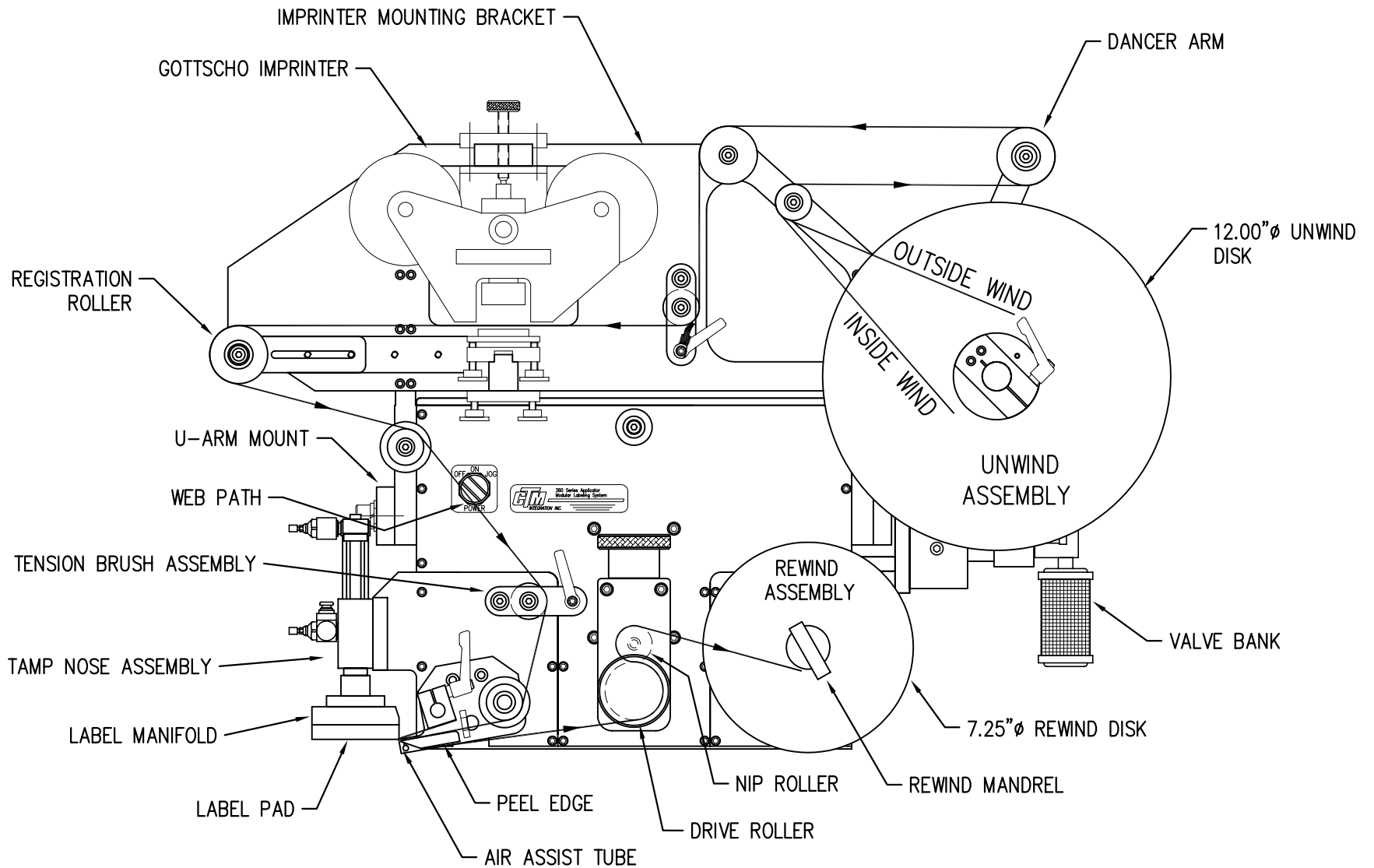
WEB PATH DIAGRAM  
360 SERIES LEFT HAND TAMP APPLICATOR  
WITH NORWOOD IMPRINTER



WEB PATH DIAGRAM  
 360 SERIES RIGHT HAND TAMP APPLICATOR  
 WITH NORWOOD IMPRINTER

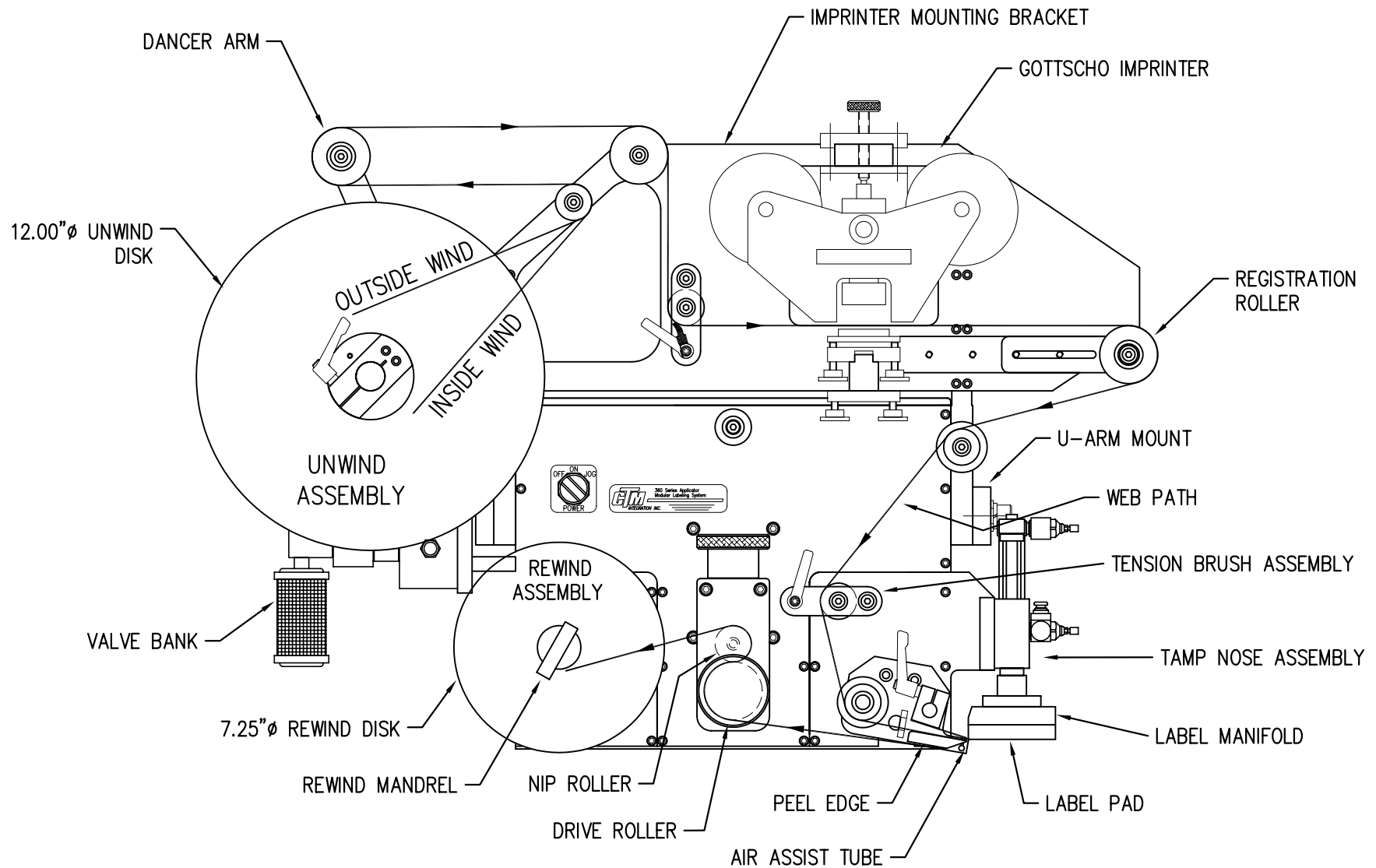


WEB PATH DIAGRAM  
360 SERIES LEFT HAND TAMP APPLICATOR  
WITH GOTTSCHO IMPRINTER

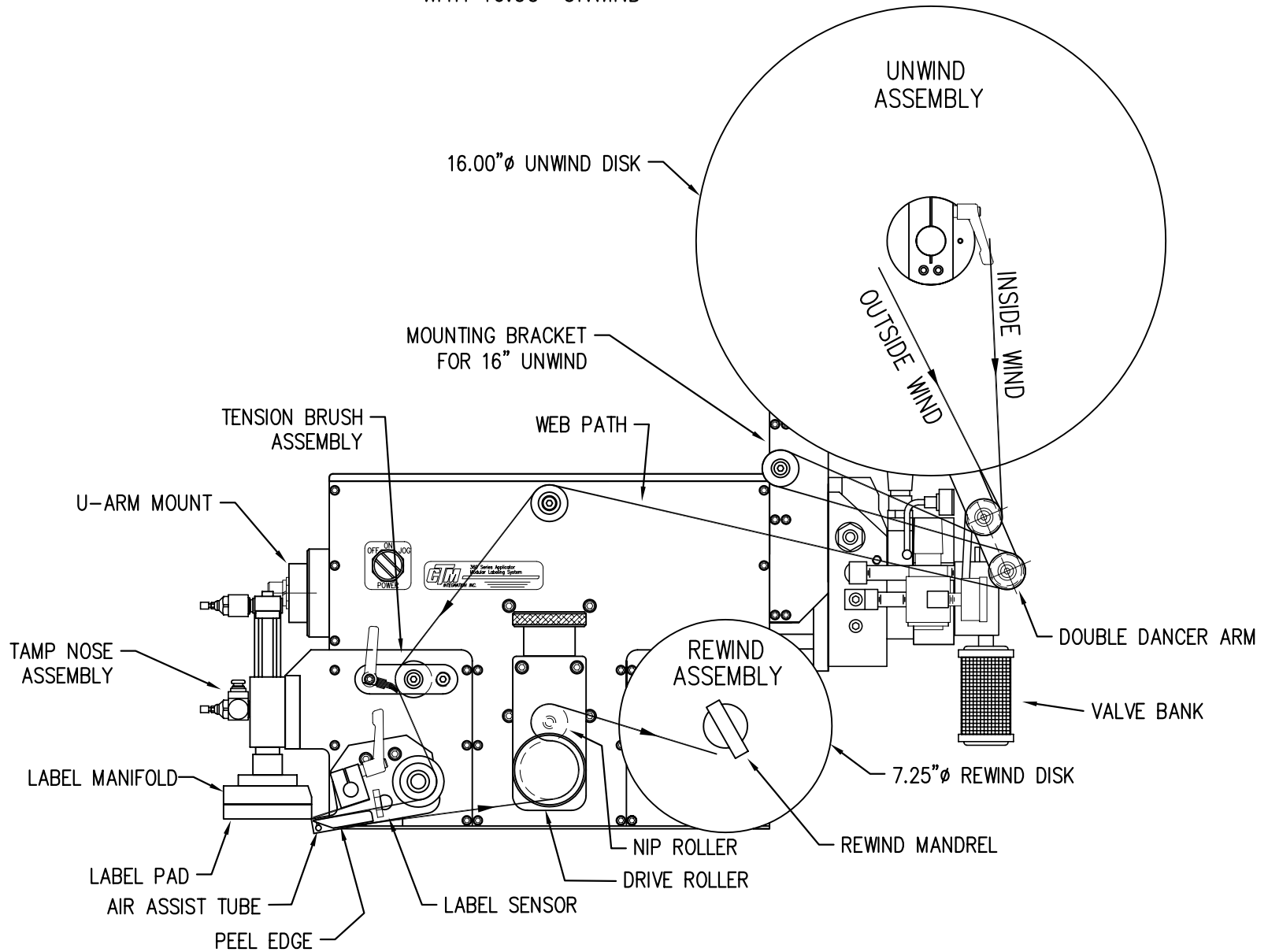




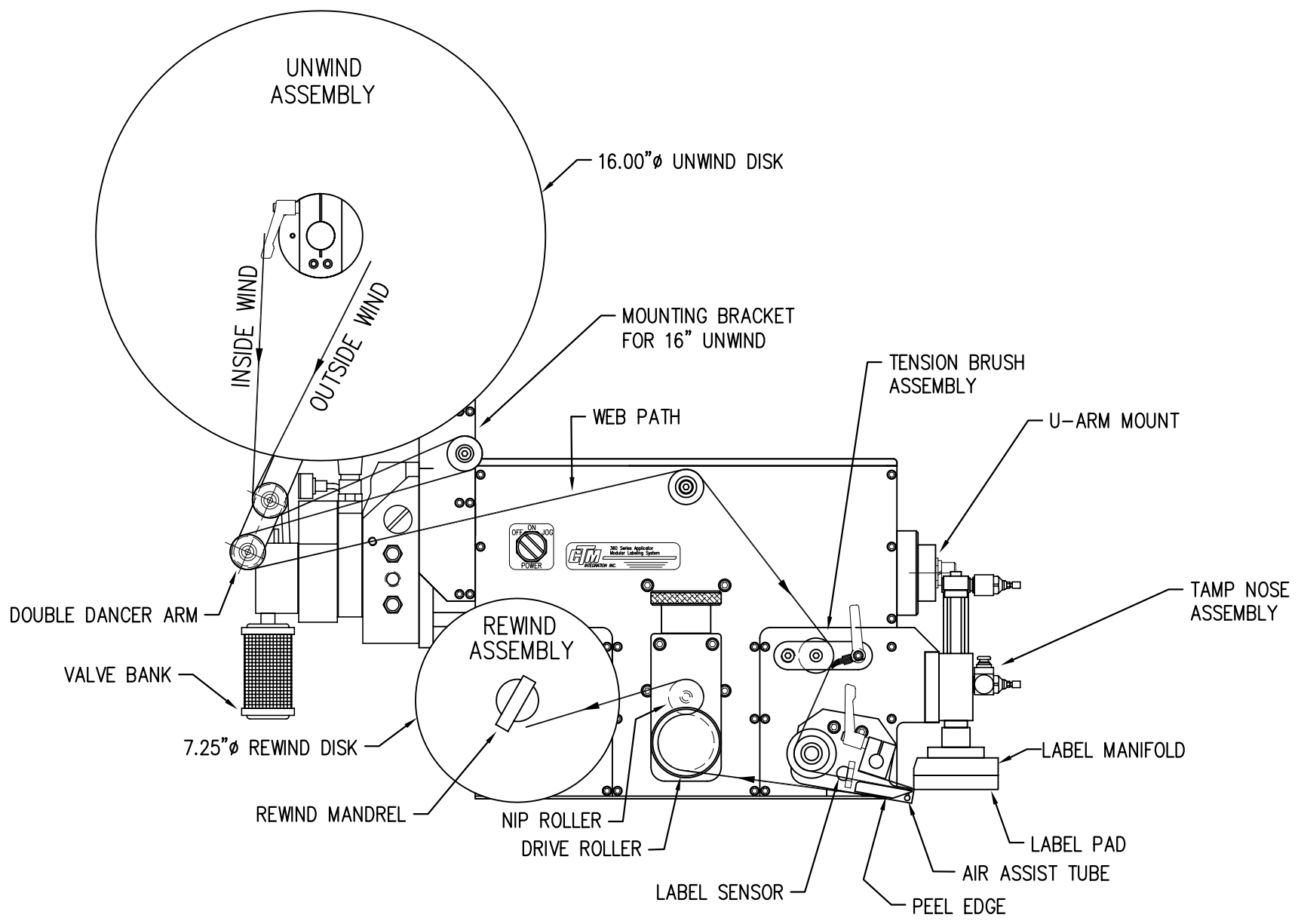
WEB PATH DIAGRAM  
360 SERIES RIGHT HAND TAMP APPLICATOR  
WITH GOTTSCHO IMPRINTER



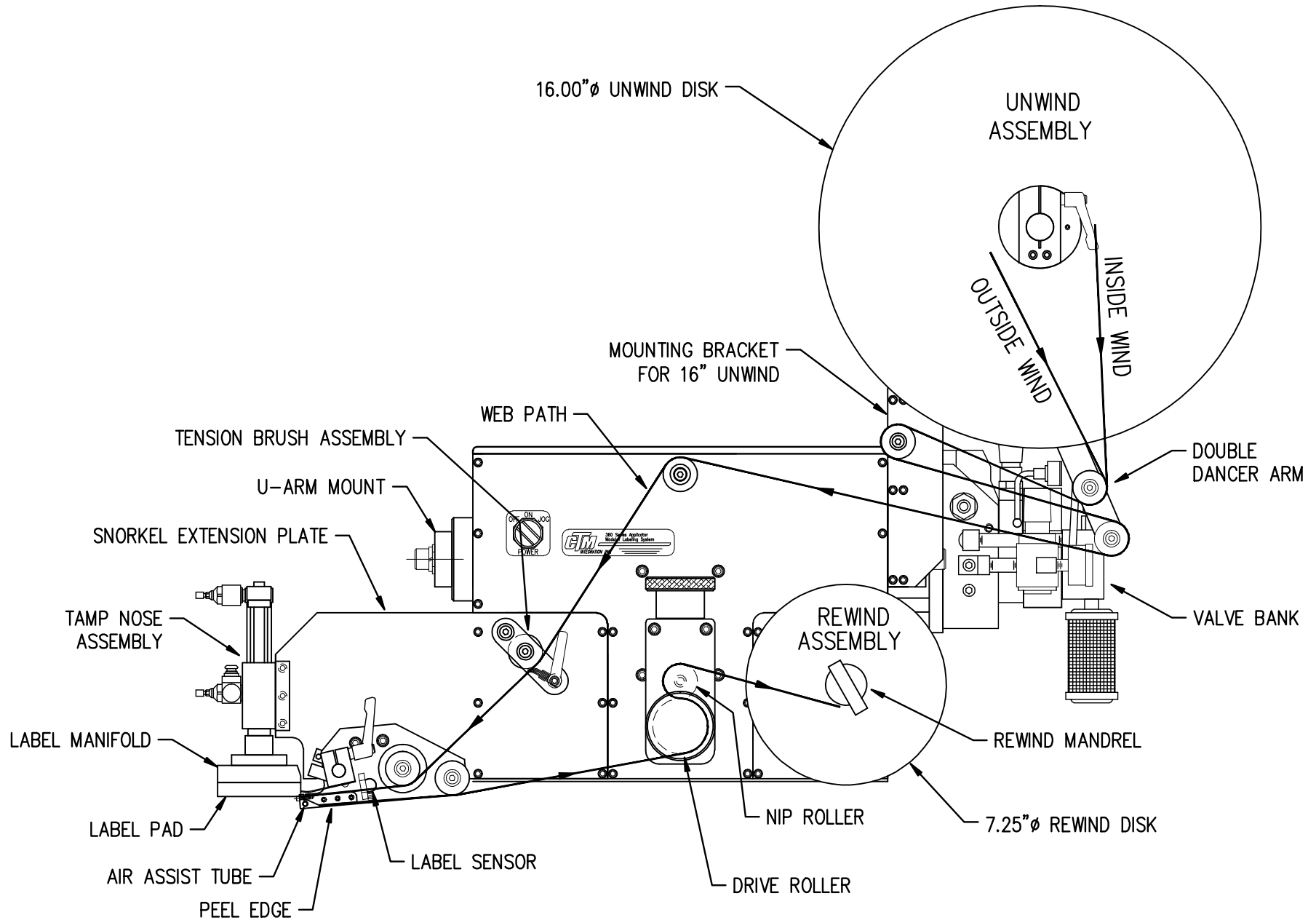
WEB PATH DIAGRAM  
 360 SERIES LEFT HAND TAMP APPLICATOR  
 WITH 16.00" UNWIND



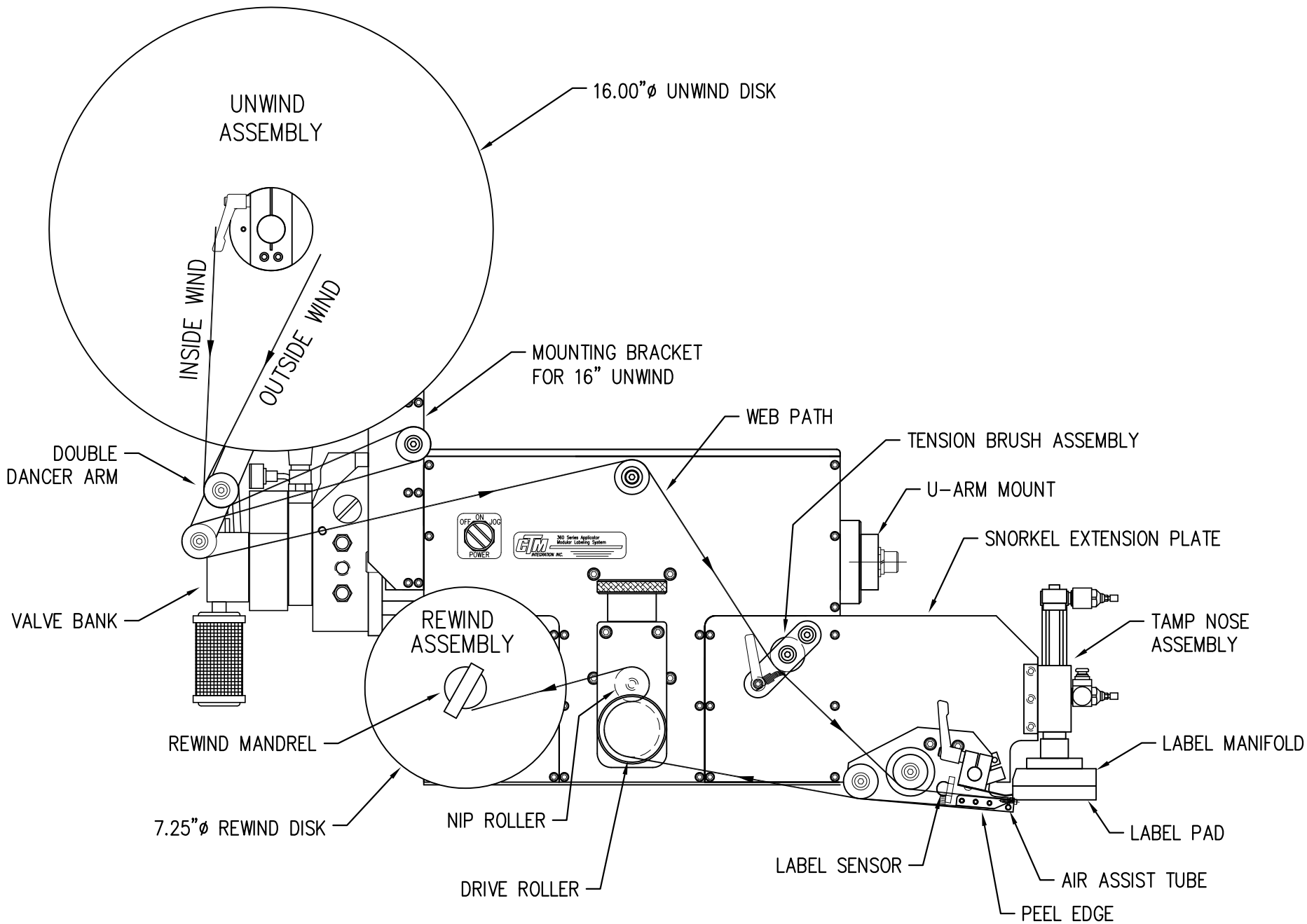
WEB PATH DIAGRAM  
 360 SERIES RIGHT HAND TAMP APPLICATOR  
 WITH 16.00" UNWIND



WEB PATH DIAGRAM  
360 SERIES LEFT HAND 6" EXTENDED TAMP APPLICATOR  
WITH 16.00" UNWIND



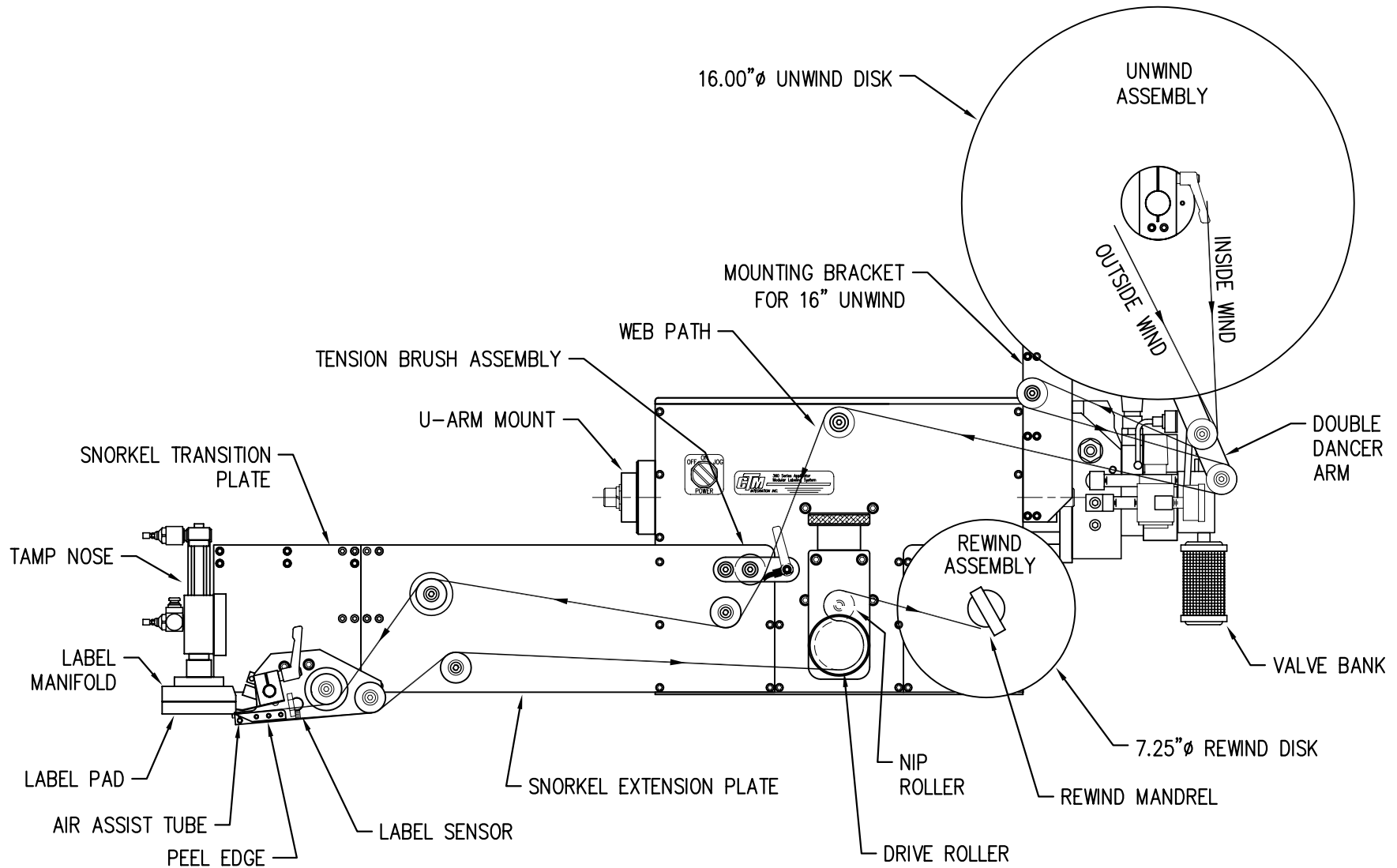
WEB PATH DIAGRAM  
360 SERIES RIGHT HAND 6" EXTENDED TAMP APPLICATOR  
WITH 16.00" UNWIND







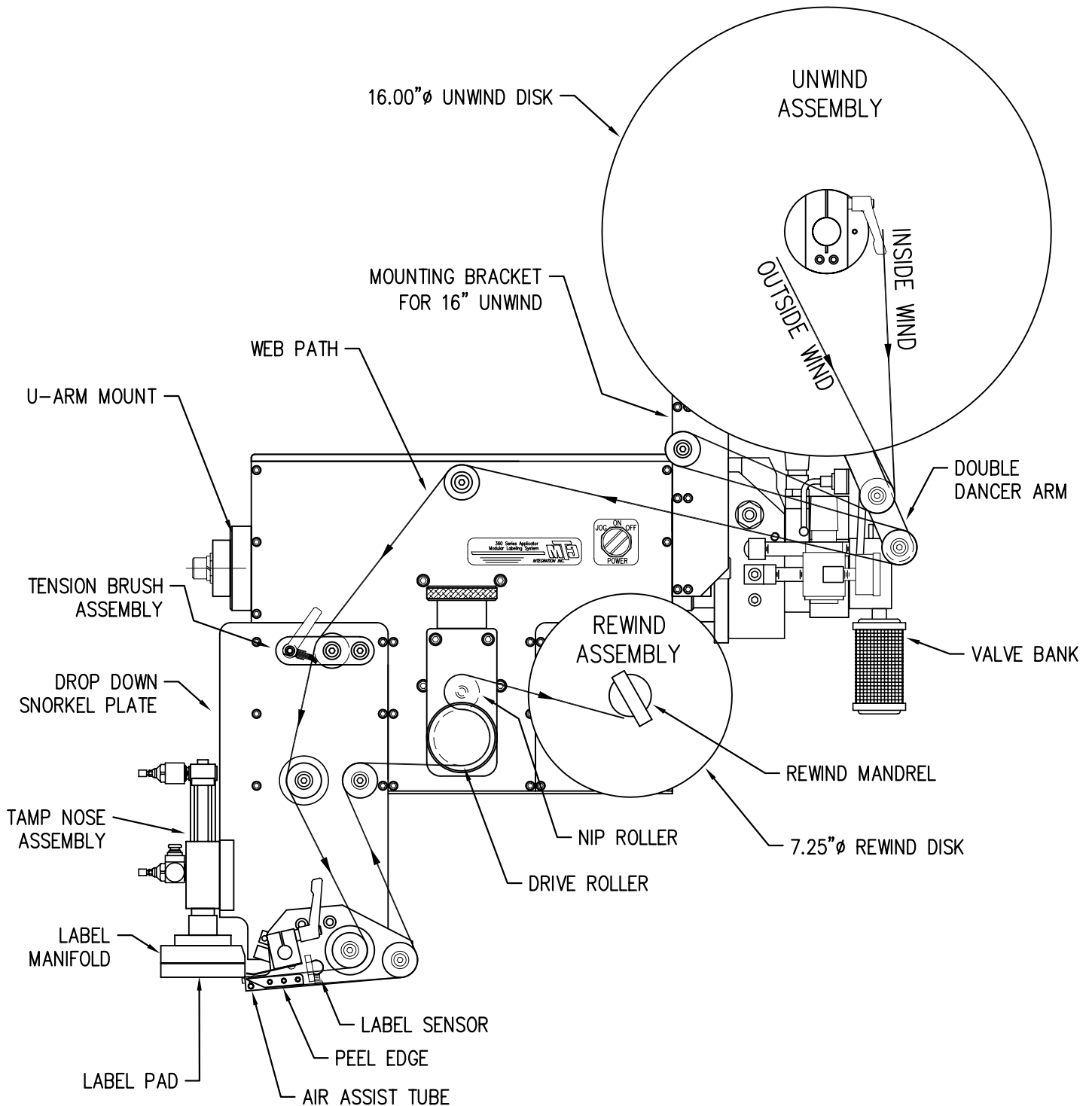
WEB PATH DIAGRAM  
360 SERIES LEFT HAND 18"/24" EXTENDED TAMP APPLICATOR  
WITH 16.00" UNWIND



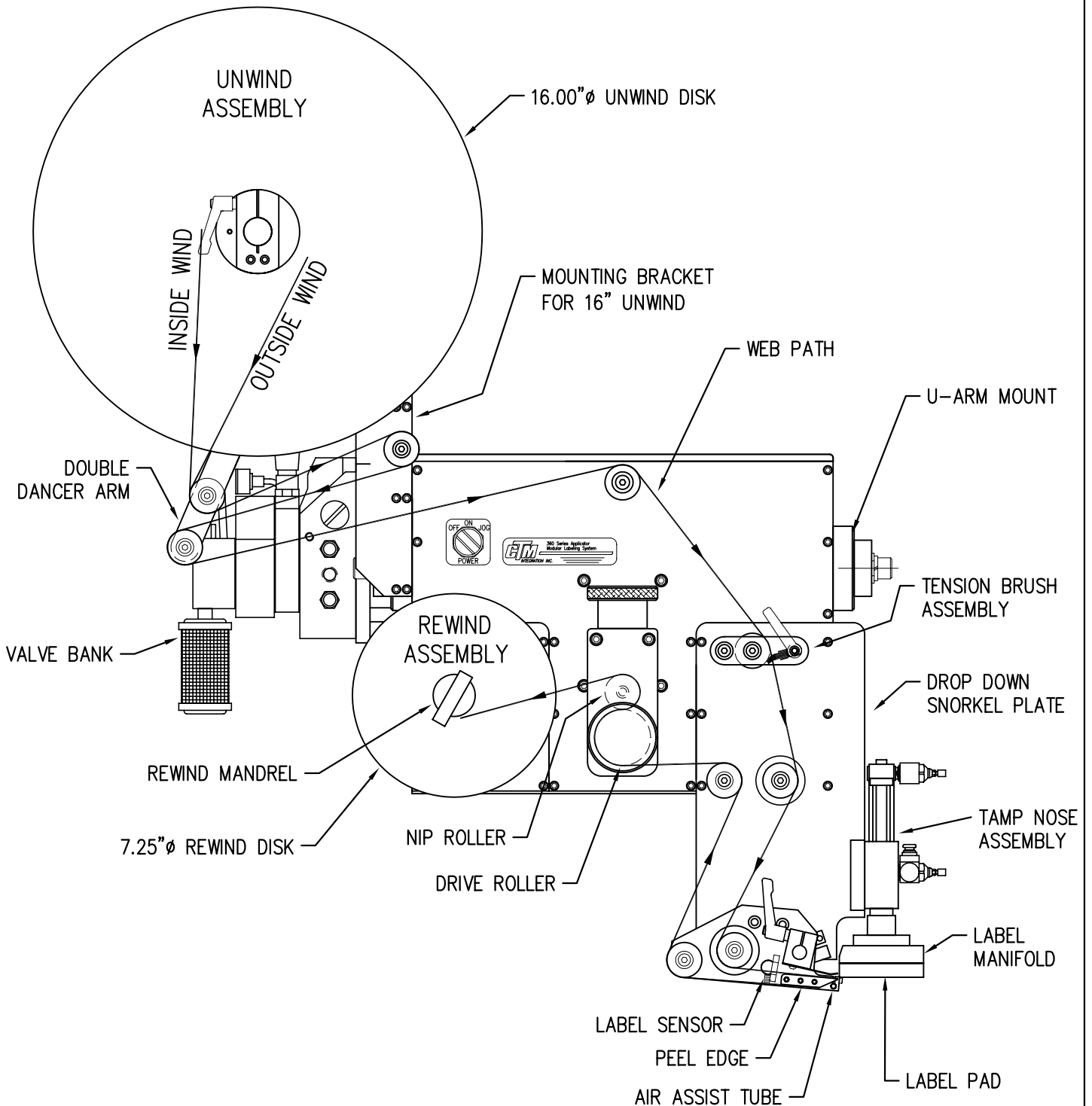




WEB PATH DIAGRAM  
360 SERIES LEFT HAND 6" DROP DOWN TAMP APPLICATOR  
WITH 16" UNWIND

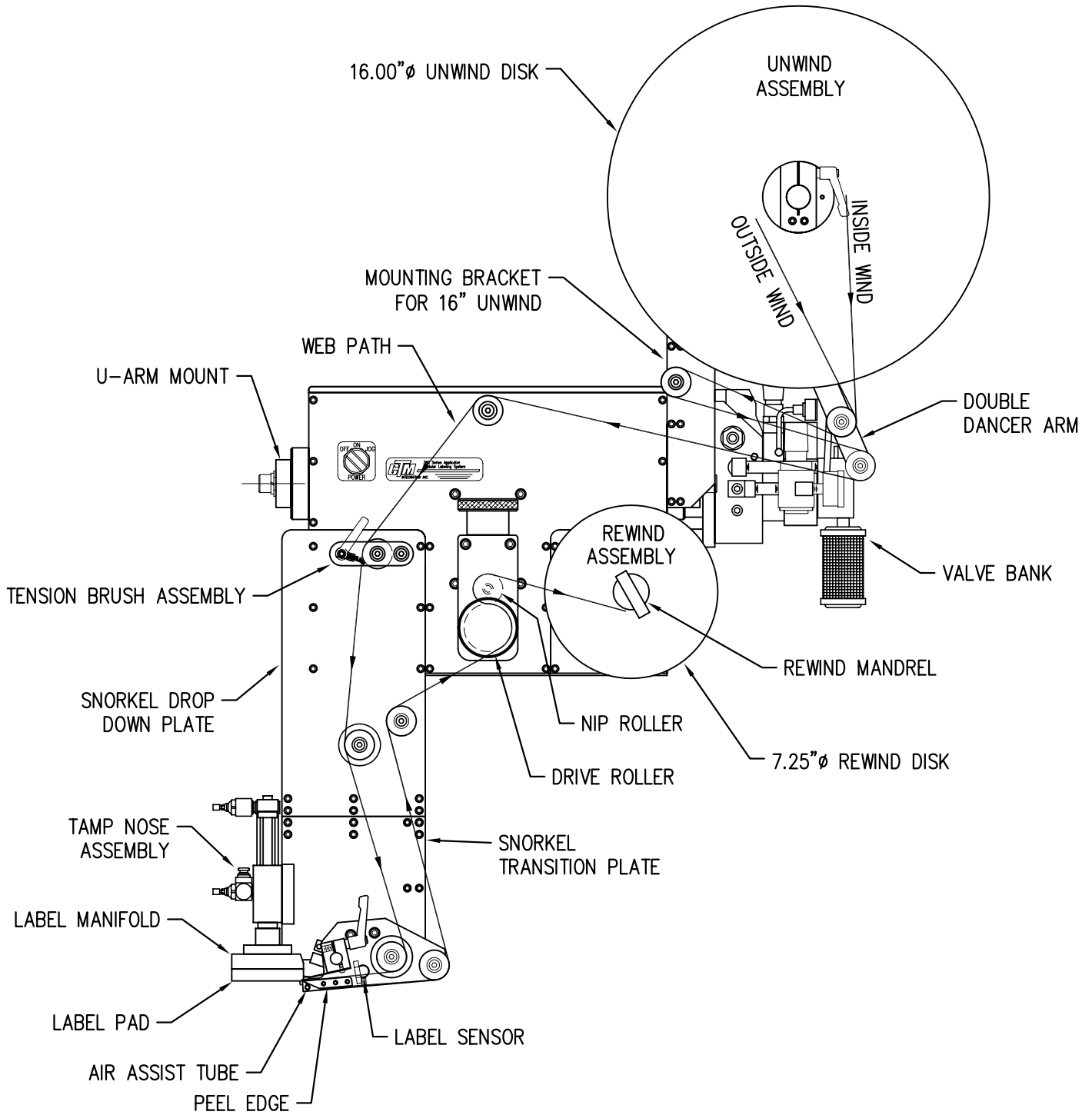


WEB PATH DIAGRAM  
 360 SERIES RIGHT HAND 6" DROP DOWN TAMP APPLICATOR  
 WITH 16" UNWIND



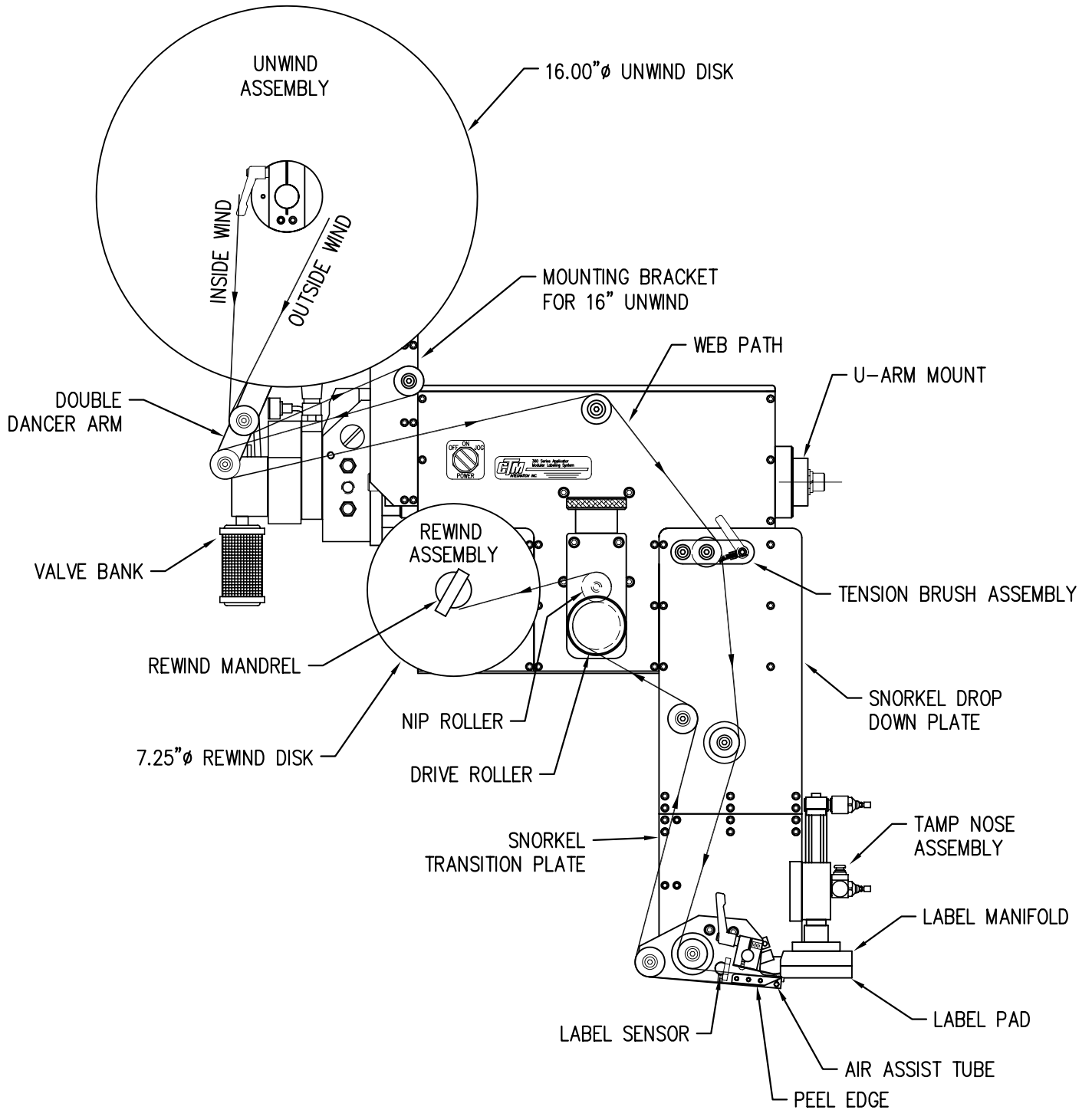
WEB PATH DIAGRAM

360 SERIES LEFT HAND 12" DROP DOWN TAMP APPLICATOR  
WITH 16.00" UNWIND



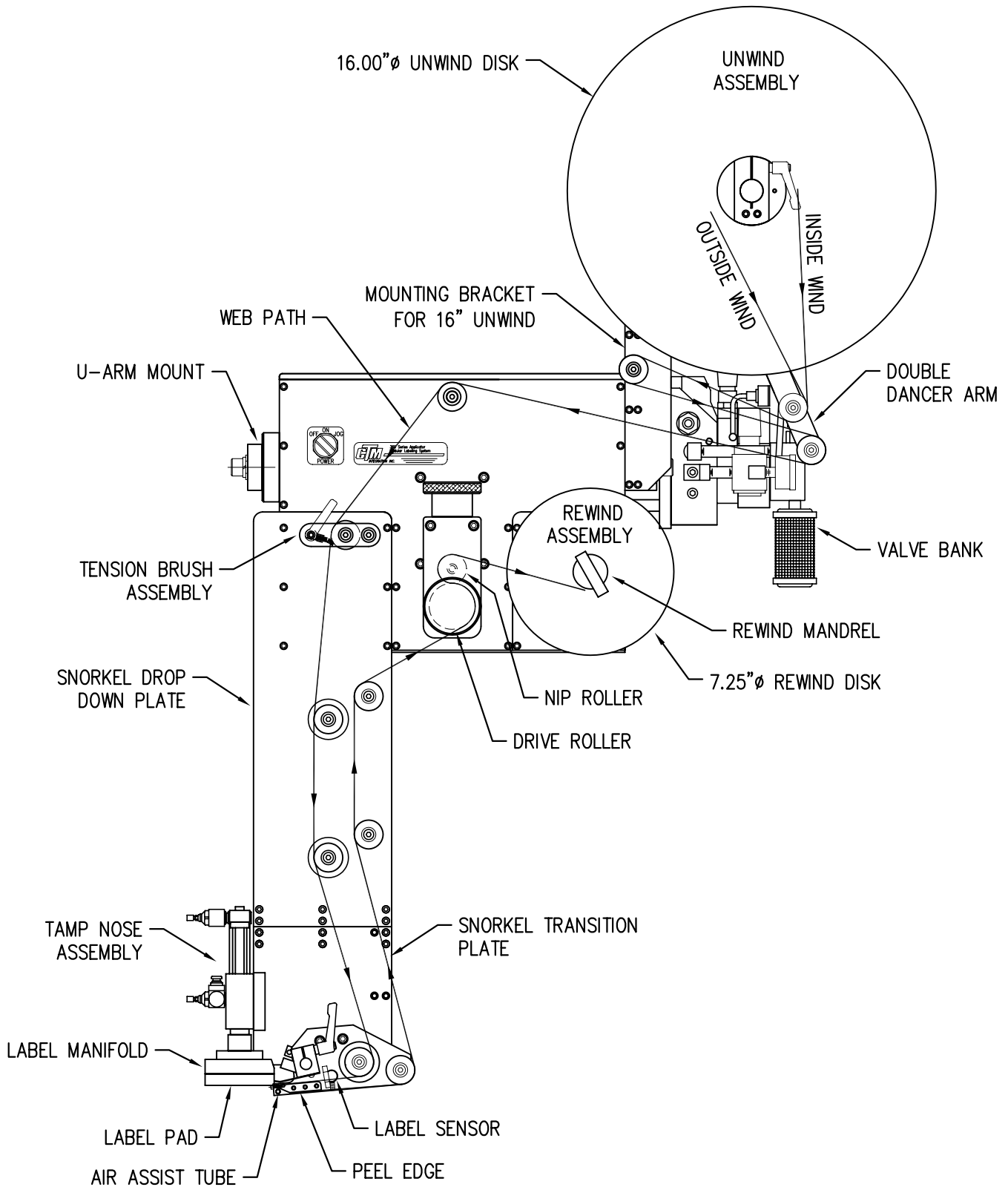
# WEB PATH DIAGRAM

360 SERIES RIGHT HAND 12" DROP DOWN TAMP APPLICATOR  
WITH 16.00" UNWIND



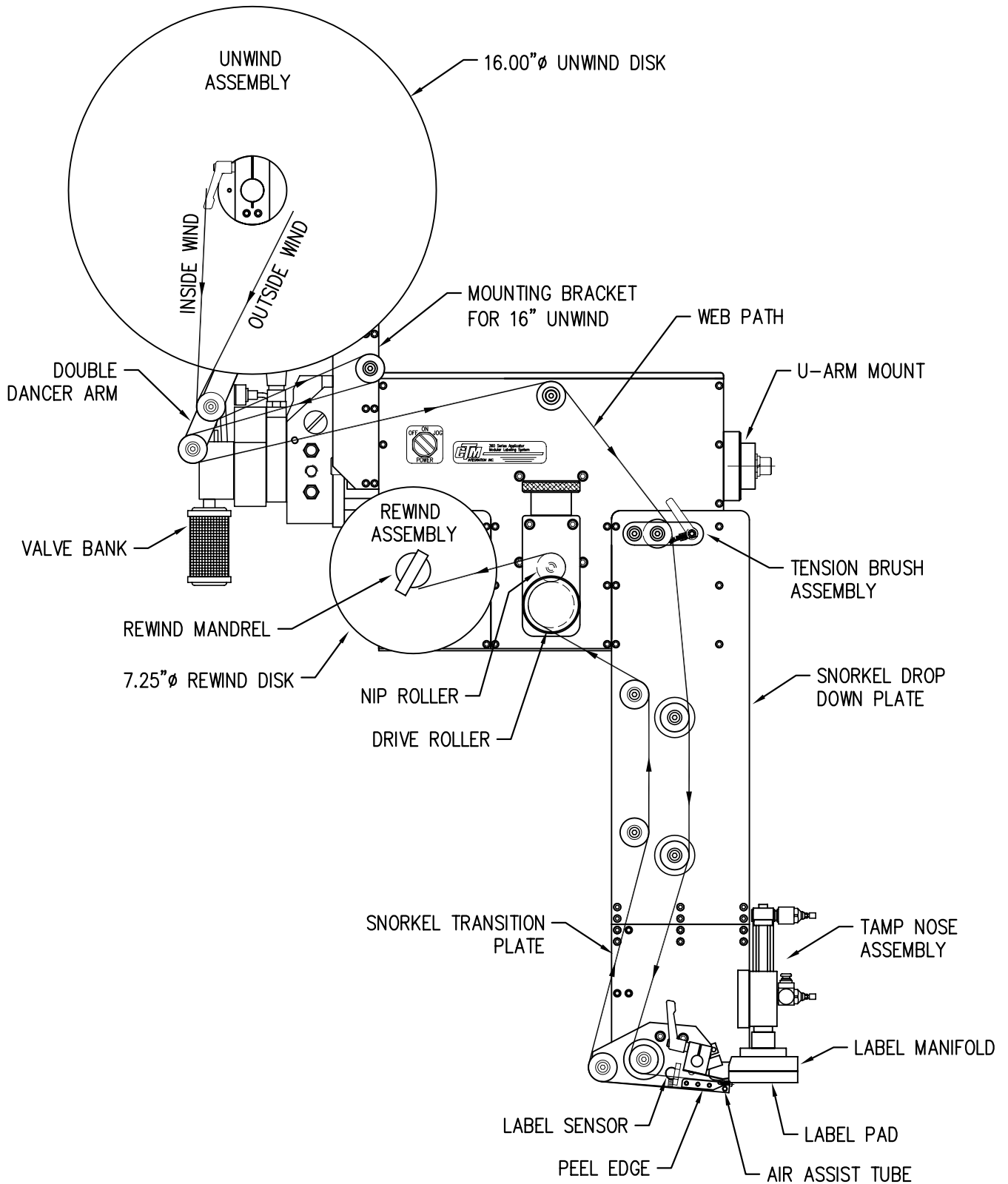
# WEB PATH DIAGRAM

## 360 SERIES LEFT HAND 18"/24" DROP DOWN TAMP APPLICATOR WITH 16.00" UNWIND

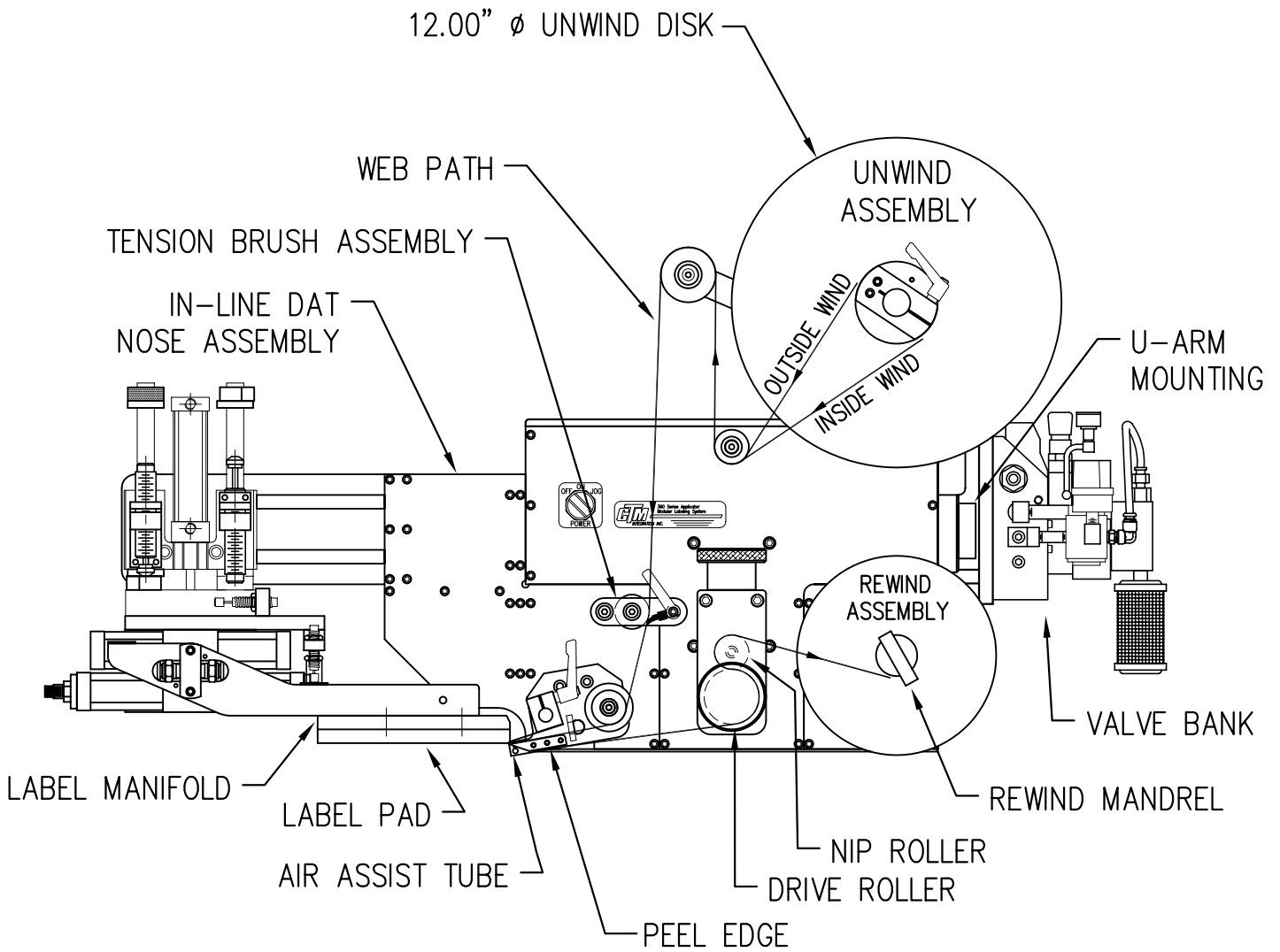


# WEB PATH DIAGRAM

360 SERIES RIGHT HAND 18"/24" DROP DOWN TAMP APPLICATOR  
WITH 16.00" UNWIND

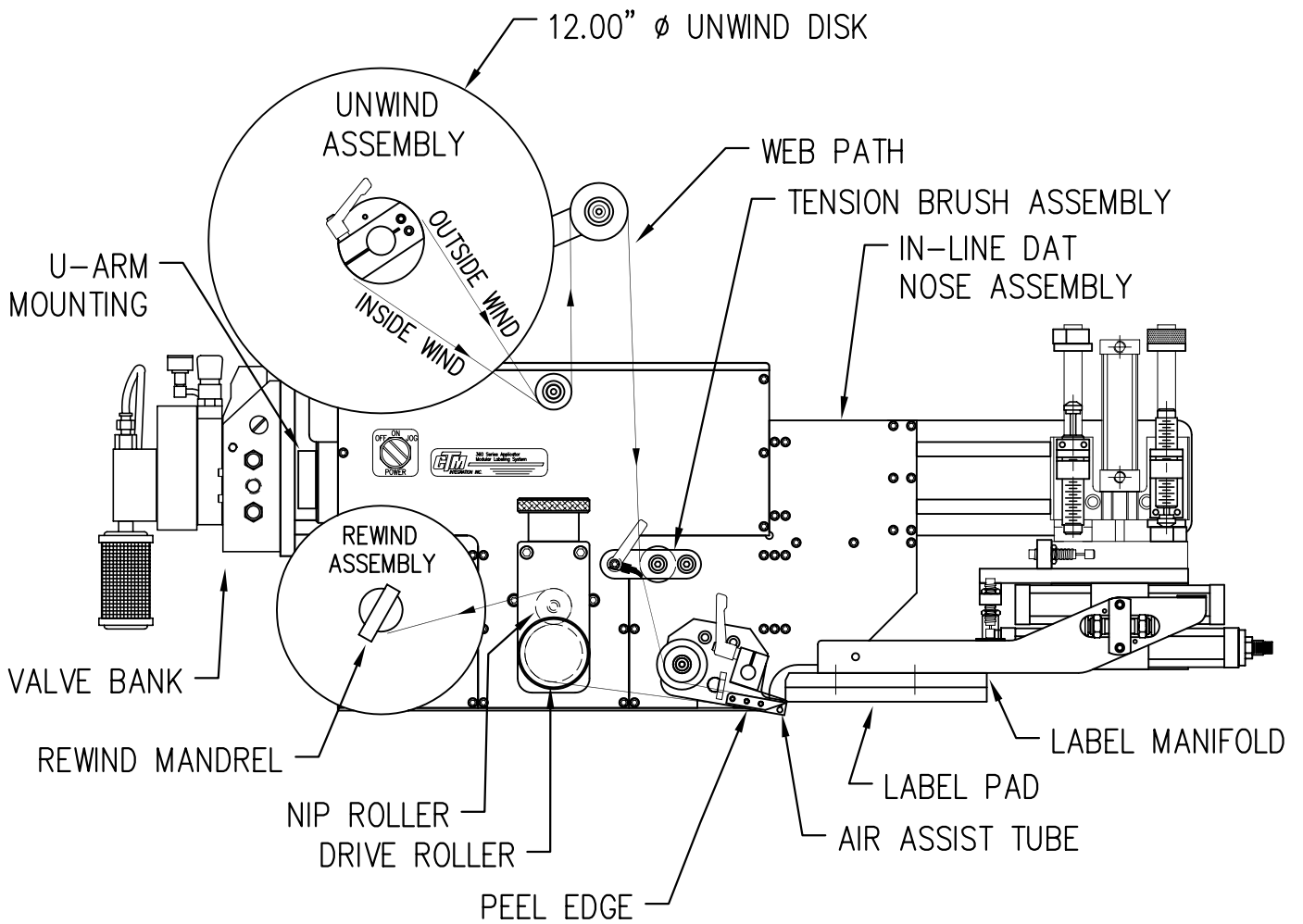


WEB PATH DIAGRAM  
360 SERIES LEFT HAND IN-LINE DAT APPLICATOR  
WITH 12" UNWIND

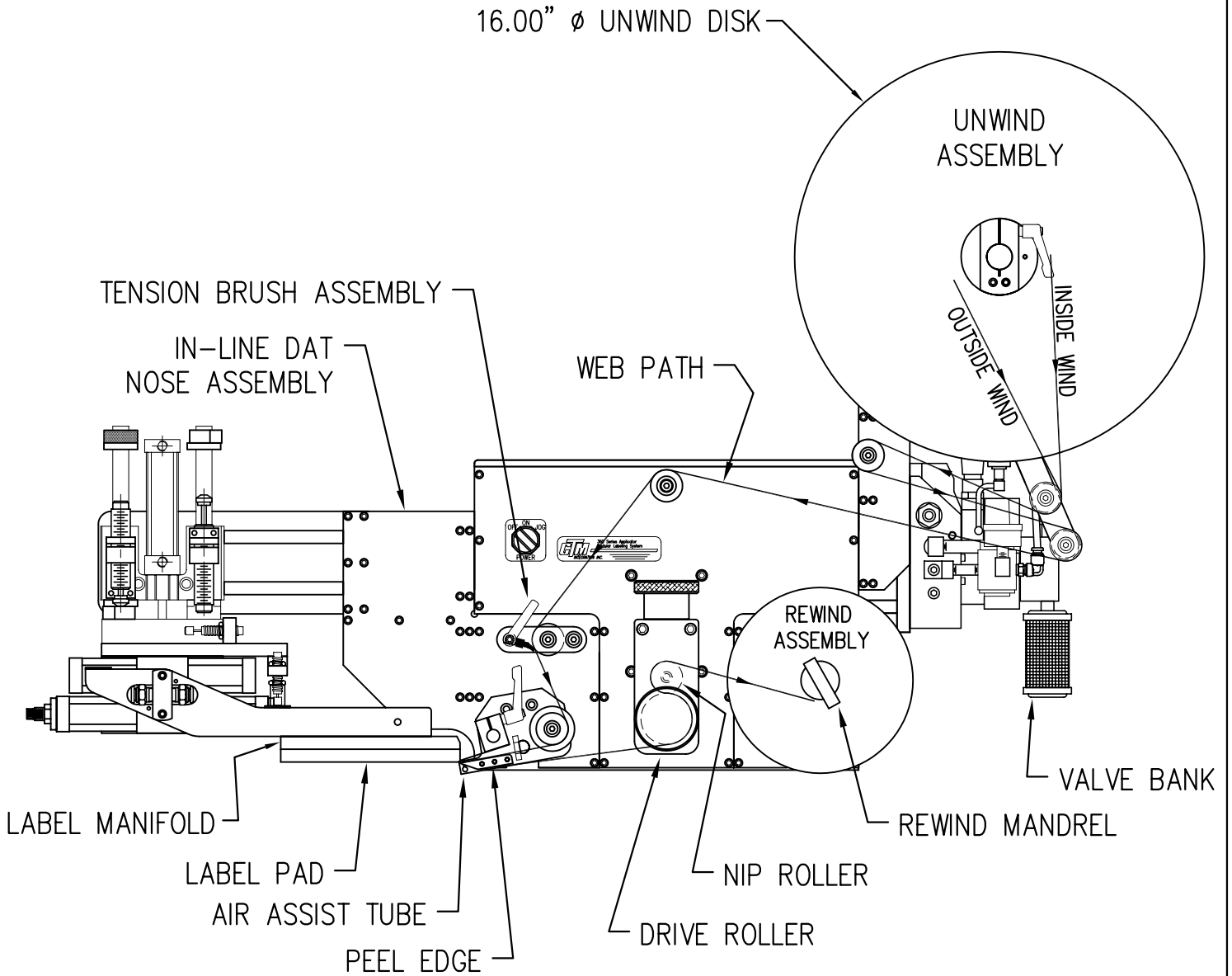




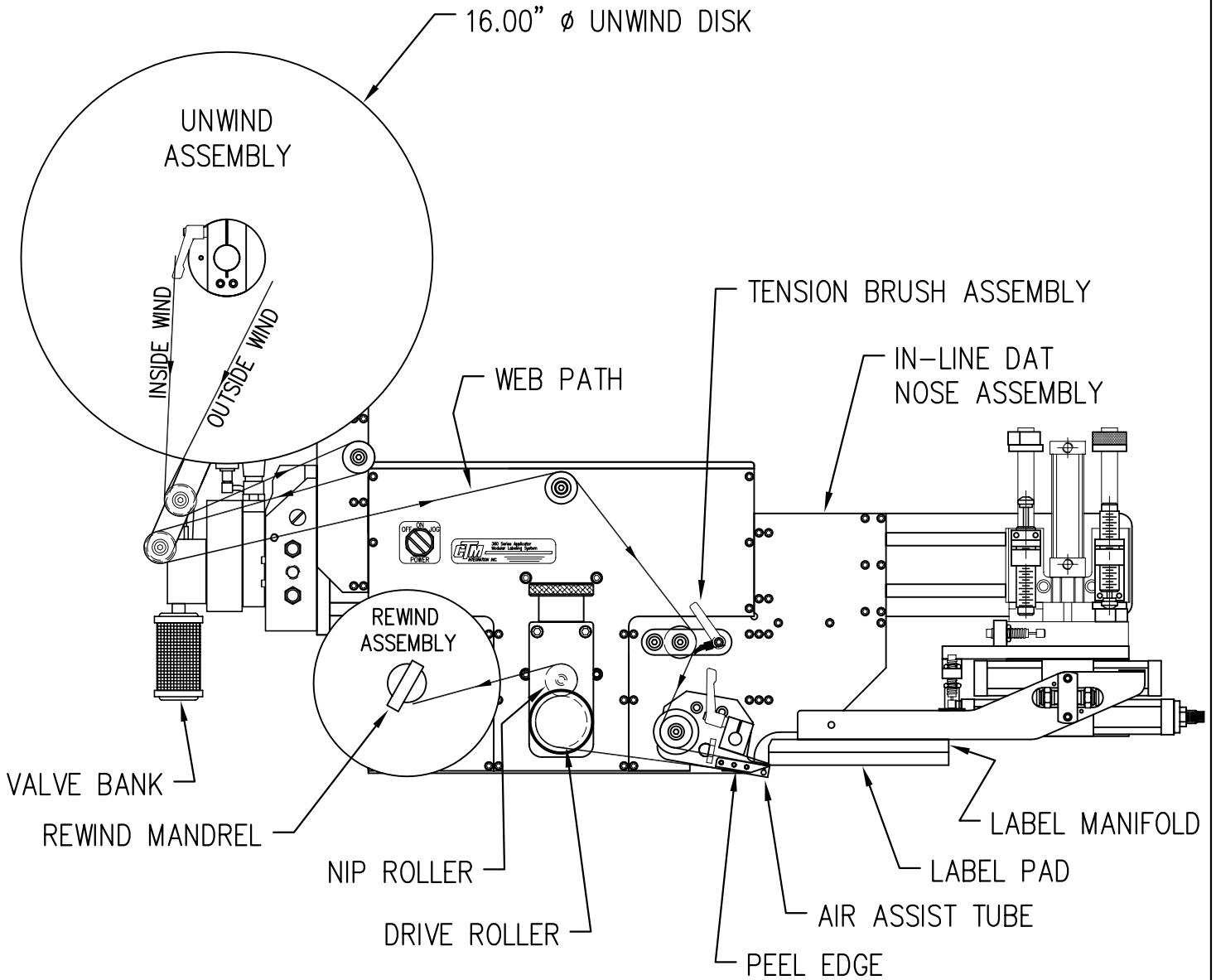
WEB PATH DIAGRAM  
360 SERIES RIGHT HAND IN-LINE DAT APPLICATOR  
WITH 12" UNWIND



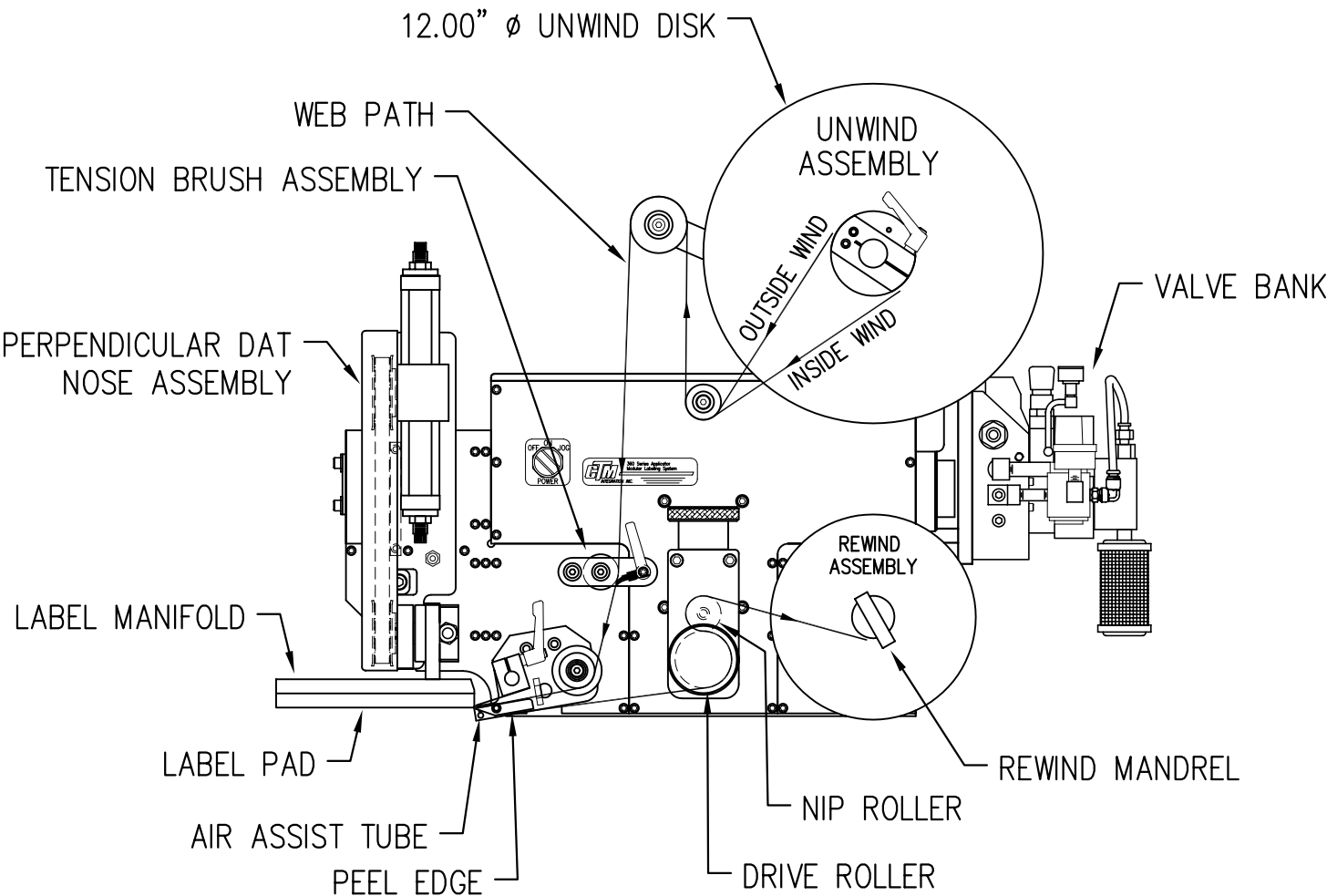
WEB PATH DIAGRAM  
360 SERIES LEFT HAND IN-LINE DAT APPLICATOR  
WITH 16" UNWIND



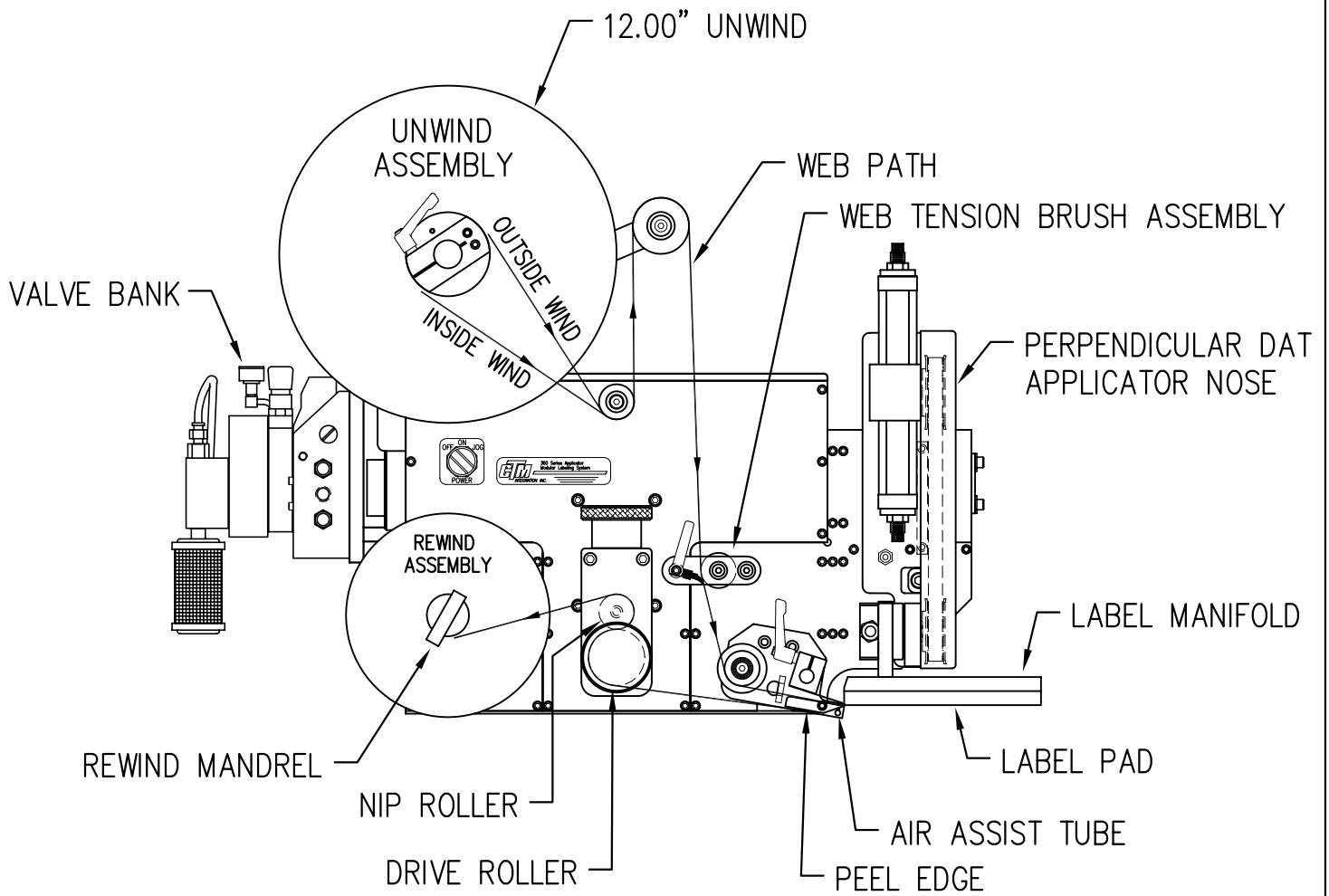
WEB PATH DIAGRAM  
360 SERIES RIGHT HAND IN-LINE DAT APPLICATOR  
WITH 16" UNWIND



WEB PATH DIAGRAM  
360 SERIES LEFT HAND PERPENDICULAR DAT APPLICATOR  
WITH 12" UNWIND

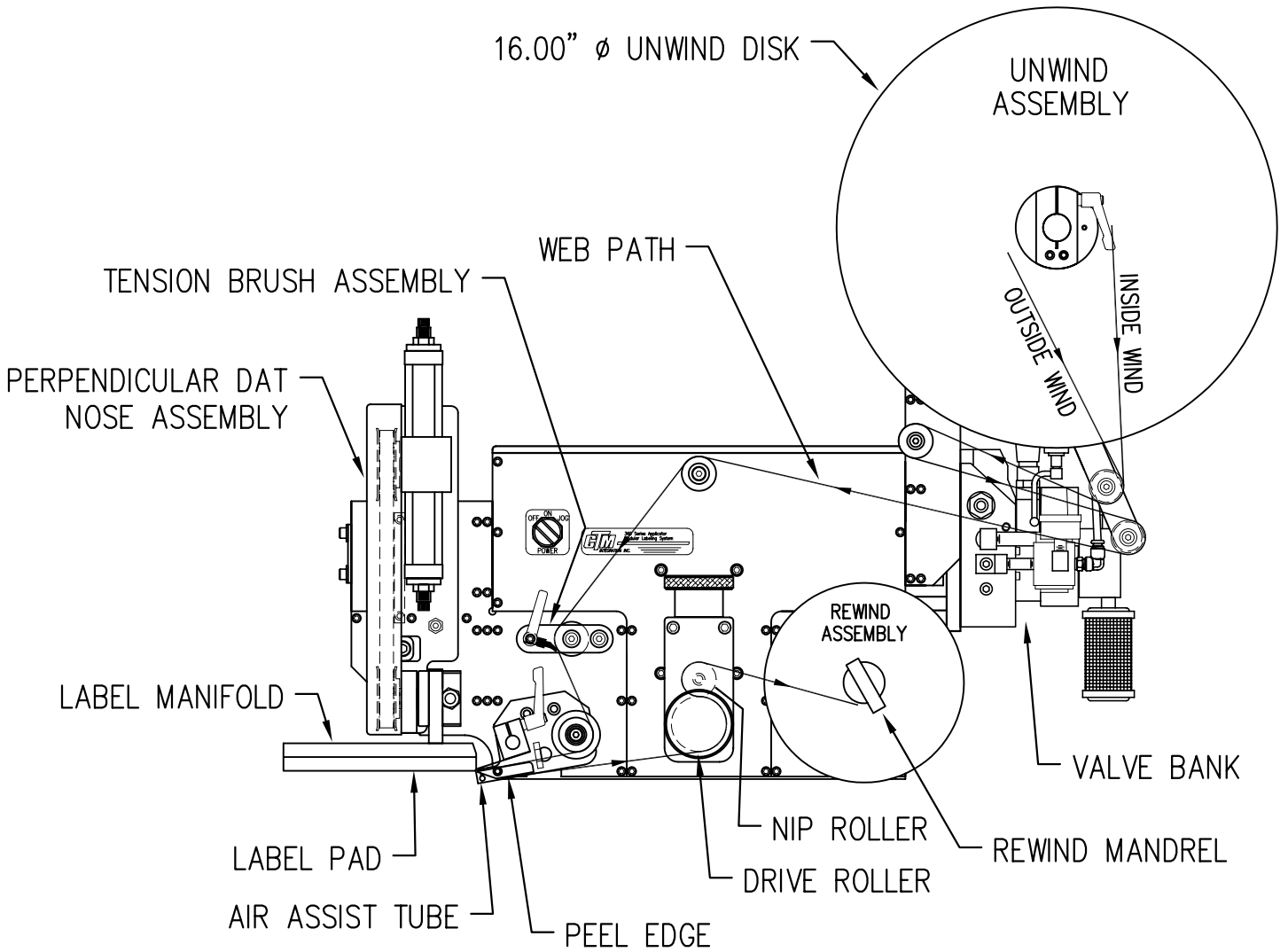


WEB PATH DIAGRAM  
360 SERIES RIGHT HAND PERPENDICULAR DAT APPLICATOR  
WITH 12" UNWIND



WEB PATH DIAGRAM

360 SERIES LEFT HAND PERPENDICULAR DAT APPLICATOR  
WITH 16" UNWIND



# WEB PATH DIAGRAM

360 SERIES RIGHT HAND PERPENDICULAR DAT APPLICATOR  
WITH 16" UNWIND

