



T Base stands are available in carbon steel or stainless steel options. Patented internal assembly designed for ease of vertical height adjustment.



***Setting Global Standards***  
*One Customer at a Time*

# T Base Stands

## Features:

Heavy duty one-piece base construction of welded carbon steel tubing.

Vertical upright construction of .250" wall DOM Steel tubing.

Patented internal assembly designed for ease of vertical height adjustment.

All carbon steel components are coated with a rust inhibitive primer and finished with **"Steel It"** polyurethane paint.

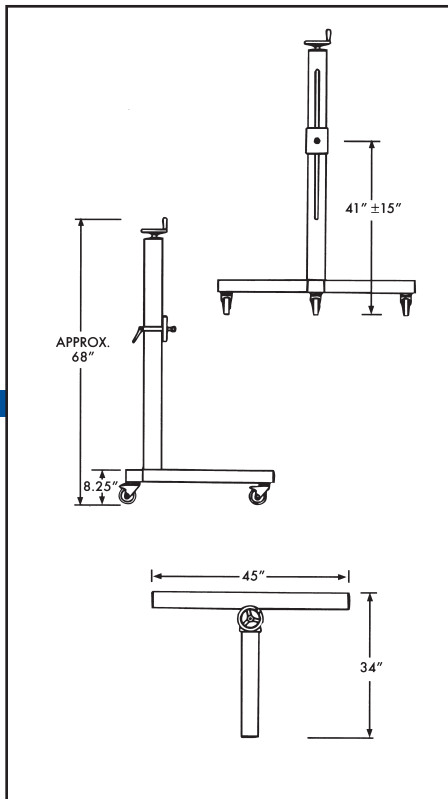
All aluminum parts are anodized.

Stands are supported on 4" diameter locking casters (leveling pads are optional.)

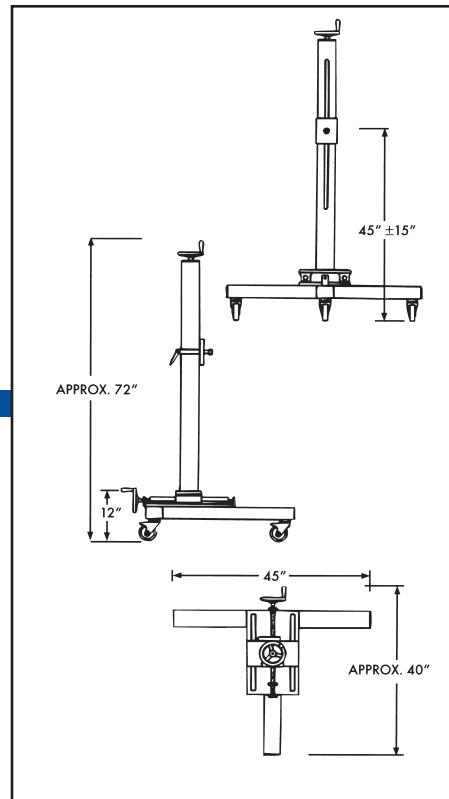
Each T-base stand is labeled with a warning label that lists weight limitations and safety precautions for operator protection.

## Options:

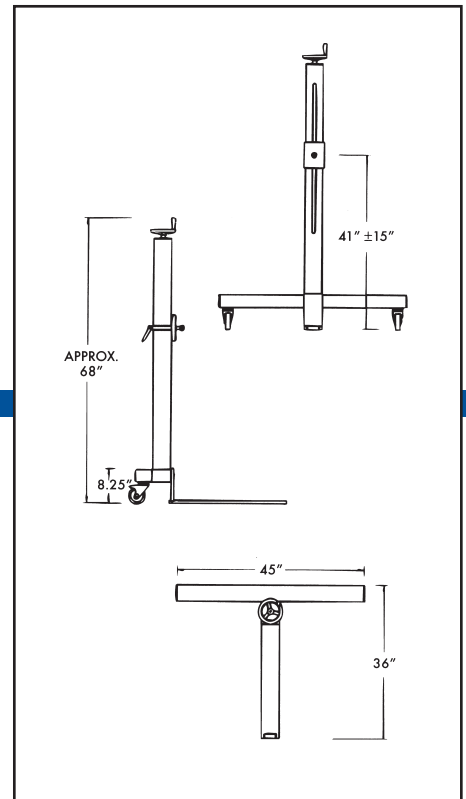
- Low profile base enable the stand to nest under forms feed tables or other product conveyors with space restrictions.
- Y-axis traverse slide for optimum adjustment capability
- Yard arm
- Airlift kit
- Leveling Pads
- Extended upright
- Extended slot
- Double internal
- Drop-down tie plate
- Control Shelf
- Custom mounting stands



Standard T-Base



Traverse T-Base



Low-Profile T-Base

Distributed By:



1318 Quaker Circle  
P.O. Box 589  
Salem, Ohio 44460  
(330) 332-1800

